



## **F&V DISPLAY**

Technical Catalogue

2024

HELLO.

WE'RE **SOVA**.

WE'RE HERE TO OFFER YOU A NEW **PATH**.

WE **DREAM** RETAIL WE **DESIGN** RETAIL WE **PLAN**  
RETAIL WE **KNOW** RETAIL WE **UNDERSTAND** RETAIL WE  
**EXPERIENCE** RETAIL WE **THINK** RETAIL WE **MAKE** RETAIL  
WE **ADMIRE** RETAIL

WE **LOVE** RETAIL



WELCOME TO **SOVA**



F&V Displays System Detail .....	03
Alternative Panel Designs .....	04
Brief Information .....	05
Plastic Basket Layout Alternatives .....	06
<b>VEGY</b> .....	07-08
VEGY Single Layer Wall Unit .....	09
VEGY Wall Unit Single Layer Main Parts .....	10
VEGY Double Layer Wall Unit .....	11
VEGY Wall Unit Double Layer Main Parts .....	12
VEGY Gondola .....	13
VEGY Gondola Unit Main Parts .....	14
VEGY Head Gondola .....	15
VEGY Head Gondola Main Parts .....	16
<b>VERDE</b> .....	17-18
VERDE Wall Unit .....	19
VERDE Wall Unit Main Parts .....	20
VERDE Gondola .....	21
VERDE Gondola Main Parts .....	22
<b>ROYAL ISLAND</b> .....	23-24
ROYAL Island .....	25
About The Royal Island .....	26
Royal Island Dimensions .....	27
Royal Island Main Parts .....	28
Royal Optional Parts & Accesories .....	29-30
<b>VENDURA</b> .....	31-32
VENDURA Island .....	33
VENDURA Main Parts .....	34
<b>GREENS</b> .....	35-36
GREENS Wall Unit .....	37
GREENS Main Parts .....	38
GREENS Parts & Accesories .....	39-40
<b>FRESH</b> .....	41-42
FRESH Wall Unit .....	43
FRESH Main Parts .....	44
FRESH Optional Parts & Accesories .....	45-46
<b>DYNAMIC F&amp;V</b> .....	47-48
DYNAMIC Wall Unit .....	49
DYNAMIC Parts & Accessories .....	50-52
<b>F&amp;V BIN</b> .....	53
<b>SEC F&amp;V BASKET</b> .....	54
<b>BLOOM F&amp;V STAND</b> .....	55
<b>S-GON</b> .....	56
<b>Z-GON &amp; STANBOX</b> .....	57-58
<b>SCALES DESK</b> .....	59-60



We follow all the developments in the retail world. We strive to provide better quality products and services to our customers.

We aim to increase our customers' profitability by running ahead of the market with innovative solutions.

#### DREAM TO REALITY STEP BY STEP

Brands that will reach for the future are those that have stores which can touch the soul of the consumer. We use our expertise and our endless energy to design "unique" stores for you.

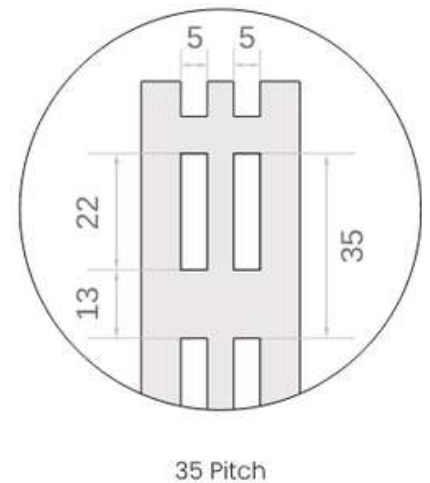
All components and accessories at whole F&V modules at this catalogue are **compatible** with each other.



## **FRUIT & VEGETABLE DISPLAYS**

### UPRIGHT SYSTEM DETAILS

S35 Metal Shelving System offers a pitch of 35 mm which is another widely used system in the world.



S35 Shelf system is used with **Fruit & Vegetable Displays** of the Sova Product Ecosystem. All parts and accessories used in these displays are compatible with the S35 System.

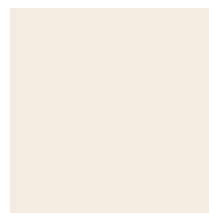
---

## MATERIALS & COLOR OPTIONS

- Metal Colors



RAL 7016



RAL 9010

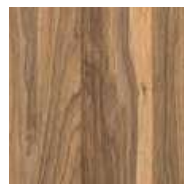


RAL 9005

- Wooden Material



DERIN SEPET



DERIN TESPIH



SAFIR MESE



NOCINO

## ALTERNATIVE PANEL DESIGNS

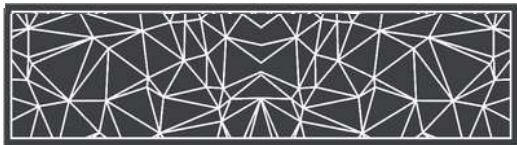
---



- WOODEN PANELING DESIGN



- HEXAGON PRINT DESIGN



- MODERN PRINT DESIGN



- WOODEN DESIGN

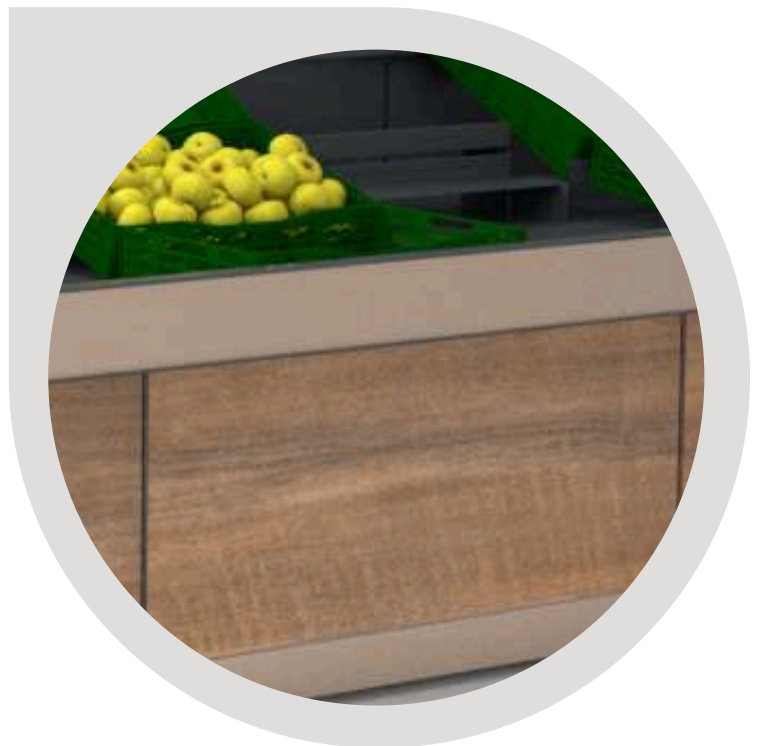
You can use all these type of panel alternatives with **VEGY , VERDE , FRESH , VENDURA , ORGANIC** models F&V units..

In all models of Fruit and Vegetable Displays, the top and bottom panels can be selected among 3 different coating and printing options.

The printings can be fixed or PVC with magnetic back.

Thus, offering you the option to switch between alternatives depending on your needs.

Get in contact with Sova sales team for more information.



## EXTRA STOCK AREA

---



FOR **VEGY** SERIES F&V UNITS

Bottom panels of Vegy can be configured as slide-out extra stock areas.

Great way to utilize the idle spaces at the bottom with optional wheeled panels.

## EASY ASSEMBLE

---



All our models are designed in dimensions that are accepted as industrial/sector standard. Very easy and quick assembly/disassembly, which makes it highly convenient to move the displays from one store to another when necessary.

## EASY & SAFE TRANSPORT

---

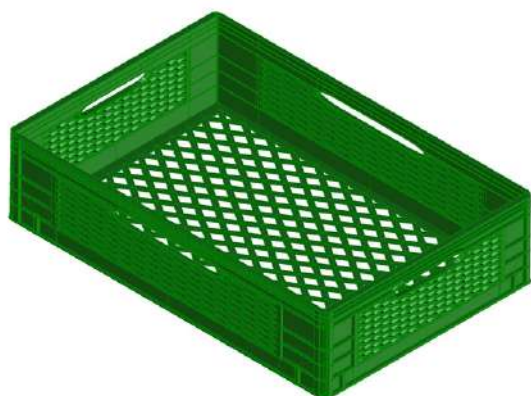


All our products are manufactured in disassembled form. They are shipped palletized or boxed safely. This helps us lower the transportation costs as much as possible.



# PLASTIC BASKET LAYOUT ALTERNATIVES

---



Plastic Basket:

(hxdxl)

**100**x400x600

**150**x400x600

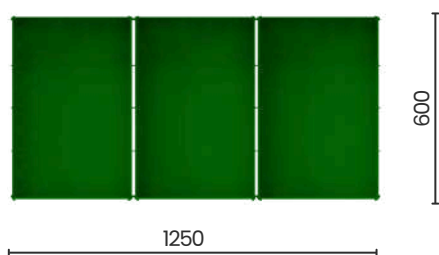
**200**x400x600

**250**x400x600

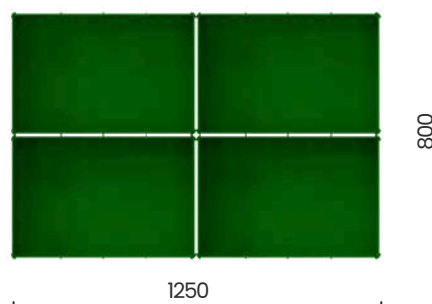
(The universal size for baskets is 400x600.)

---

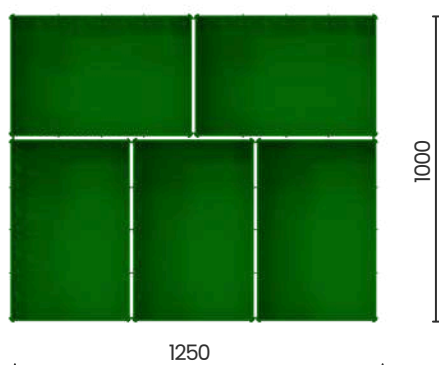
- Alternative 1



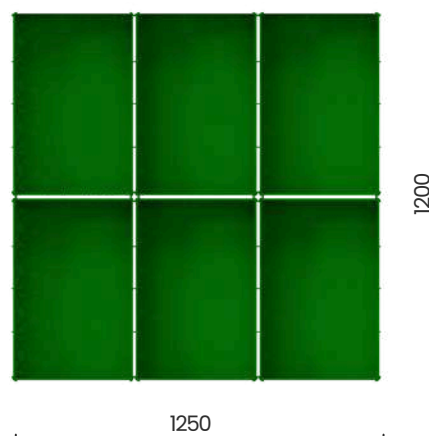
- Alternative 2



- Alternative 3



- Alternative 4



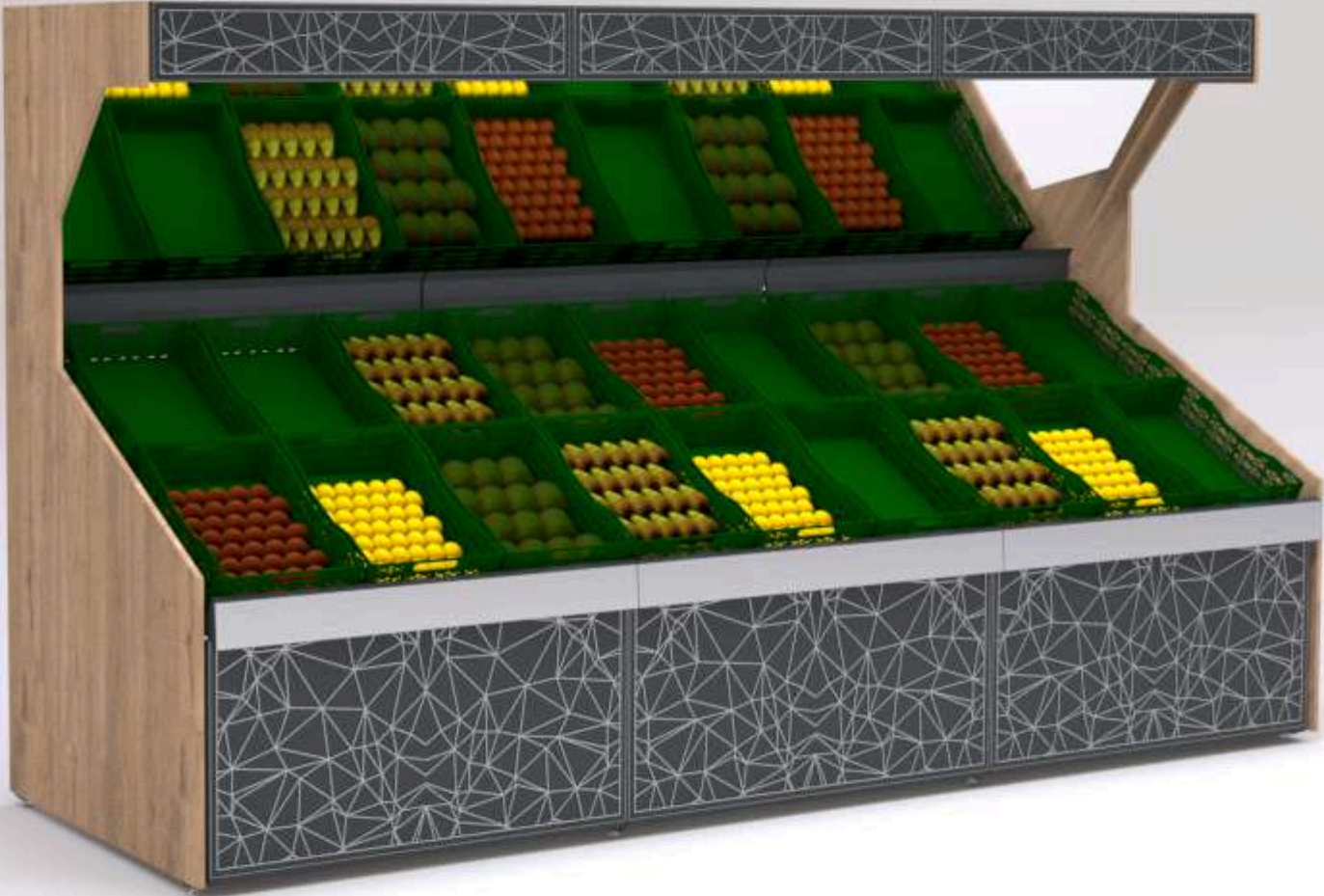


**VEGY**

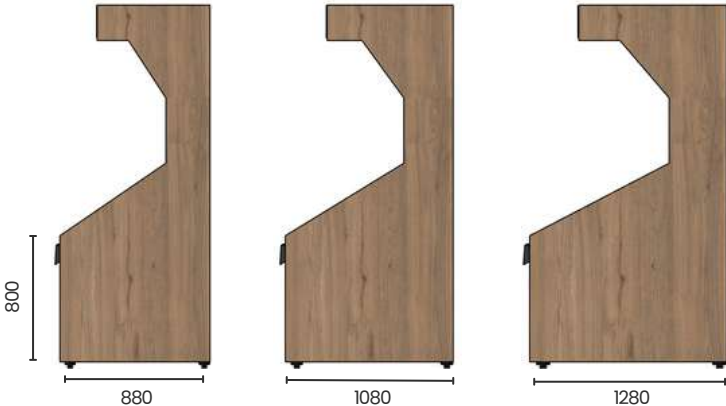
---



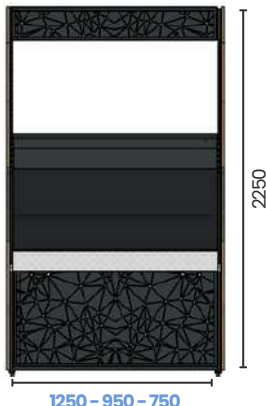
# VEGY SINGLE LAYER WALL UNIT



Unit Max Depth Options

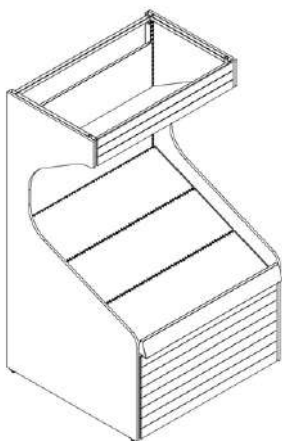


Unit Height & Length Options



## VEGY WALL UNIT SINGLE LAYER MAIN PARTS

---



### VEGY WALL UNIT SINGLE LAYER

Height (mm)

2250

Depth (mm)

1200 - 1000 - 800

Length (mm)

1250 - 950 - 750



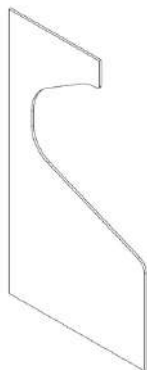
### VEGY WALL UNIT SINGLE LAYER ADDITIONAL LEG

Height (mm)

2250

Depth (mm)

1200 - 1000 - 800



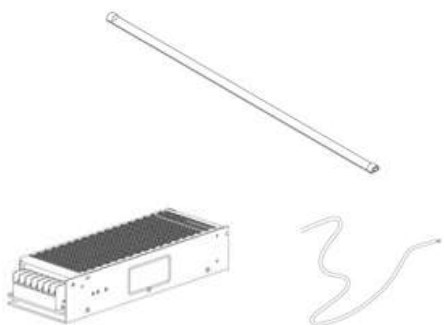
### VEGY WALL UNIT SINGLE LAYER WOODEN SIDE PANEL

Height (mm)

2250

Depth (mm)

1200 - 1000 - 800



### VEGY WALL UNIT LED LIGHTING SET

Optional

1 x MAGNETIC LED LIGHTING HIGH LUMEN 12 V 4000 K

L: 1200 - 900 - 700 mm

1 x CABLE WITH SOCKET FOR LED LIGHTING

D: 600 mm

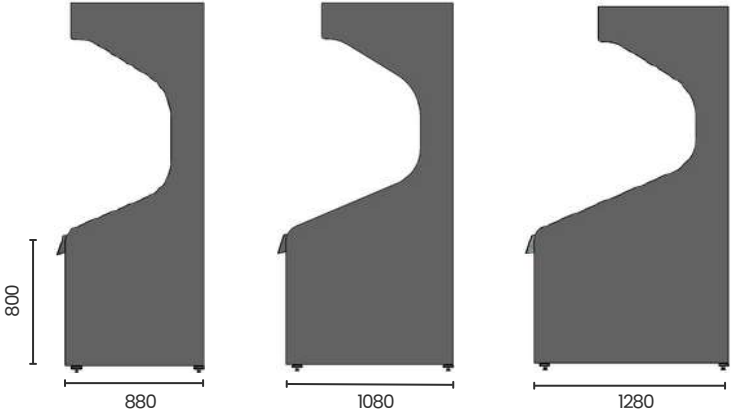
LED POWER SOURCE (1 pcs is used in every three units)

250 W

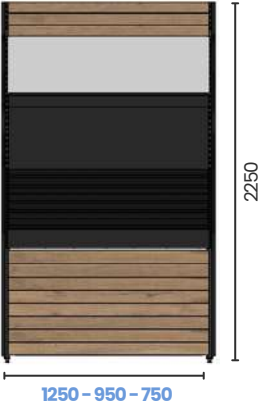
# VEGY DOUBLE LAYER WALL UNIT



Unit Max Depth Options

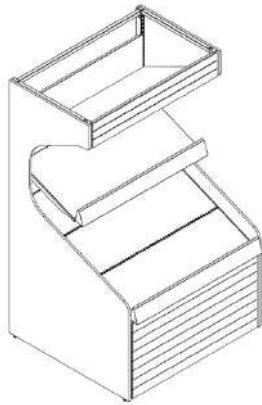


Unit Height & Length Options



## VEGY WALL UNIT DOUBLE LAYER MAIN PARTS

---



### VEGY WALL UNIT DOUBLE LAYER

Height (mm)

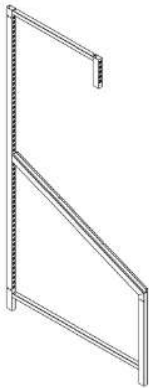
2250

Depth (mm)

1200 - 1000 - 800

Length (mm)

1250 - 950 - 750



### VEGY WALL UNIT DOUBLE LAYER ADDITIONAL LEG

Height (mm)

2250

Depth (mm)

1200 - 1000 - 800



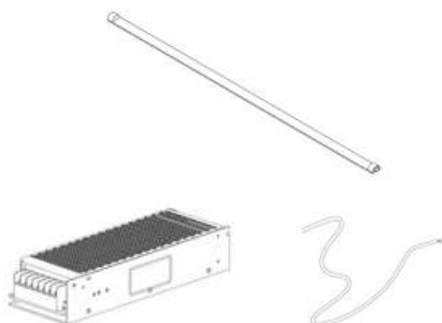
### VEGY WALL UNIT DOUBLE LAYER WOODEN SIDE PANEL

Height (mm)

2250

Depth (mm)

1200 - 1000 - 800



### VEGY WALL UNIT LED LIGHTING SET

Optional

2x MAGNETICLED LIGHTING HIGH LUMEN 12 V 4000 K

L: 1200 - 900 - 700 mm

2x CABLE WITH SOCKET FOR LED LIGHTING

D: 600 mm

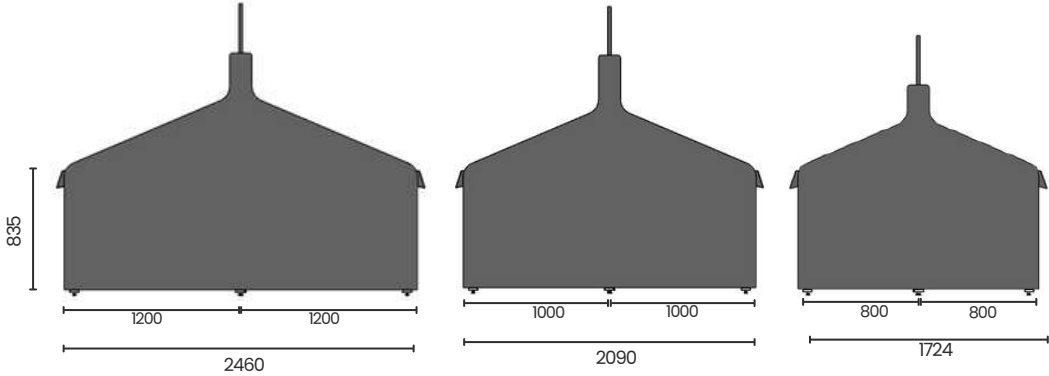
LED POWER SOURCE (1 pcs is used in every three units)

250 W

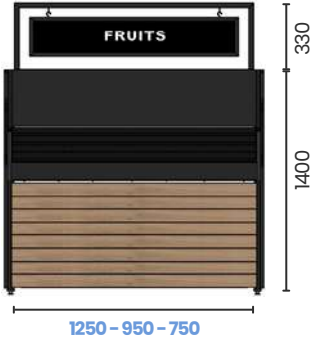
# VEGY GONDOLA



Unit Max Depth Options



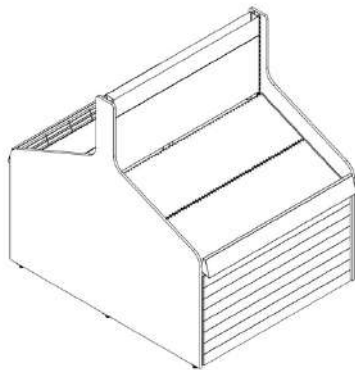
Unit Height & Length Options





## VEGY GONDOLA UNIT MAIN PARTS

---



### VEGY GONDOLA

Height (mm)

1400

Depth (mm)

2460 (1200 + 1200)

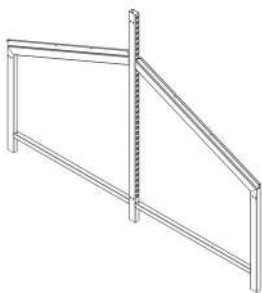
2090 (1000 + 1000)

1724 (800 + 800)

Length (mm)

1250 - 950 - 750

---



### VEGY GONDOLA ADDITIONAL LEG

Height (mm)

1400

Depth (mm)

1200 - 1000 - 800

---



### VEGY GONDOLA WOODEN SIDE PANEL

Height (mm)

1400

Depth (mm)

1200 - 1000 - 800

---



### VEGY TOP SHELF

Optional

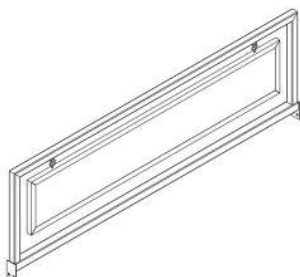
Depth (mm)

600 - 400

Length (mm)

1250 - 950 - 750

---



### F&V TOP VISUAL BANNER

Optional

Length (mm)

1250 - 950 - 750

Depth (mm)

30

Height (mm)

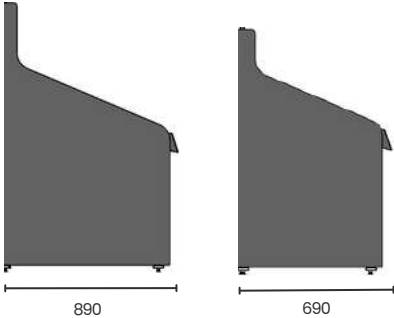
350

---

# VEGY HEAD GONDOLA



Unit Max Depth Options

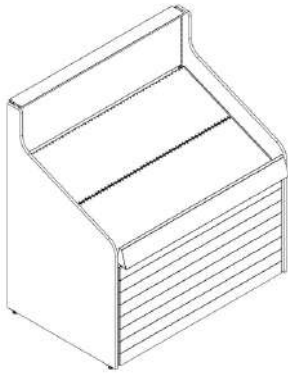


Unit Height & Length Options



# VEGY HEAD GONDOLA MAIN PARTS

---

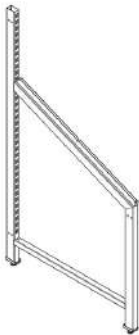


## VEGY GONDOLA HEAD

Height (mm)  
1400

Depth (mm)  
800 - 600

Length (mm)  
1250 - 950 - 750



## VEGY GONDOLA HEAD ADDITIONAL LEG

Height (mm)  
1400

Depth (mm)  
800 - 600



## VEGY GONDOLA HEAD WOODEN SIDE PANEL

Height (mm)  
1400

Depth (mm)  
800 - 600

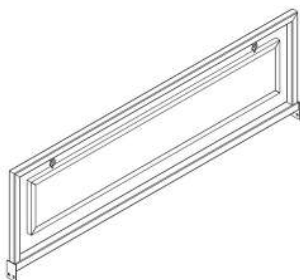


## VEGY TOP SHELF

Depth (mm)  
600 - 400

Length (mm)  
1250 - 950 - 750

Optional



## F&V TOP VISUAL BANNER

Length (mm)  
1250-950

Depth (mm)  
30

Height (mm)  
350

Optional



**VERDE**

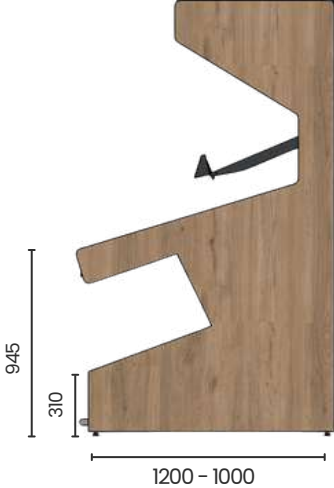
---



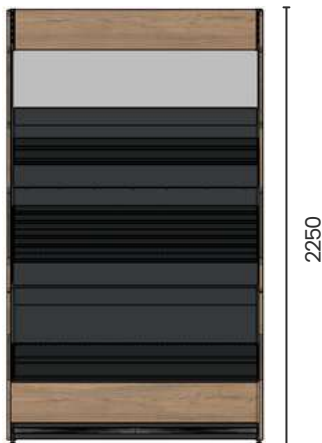
# VERDE WALL UNIT



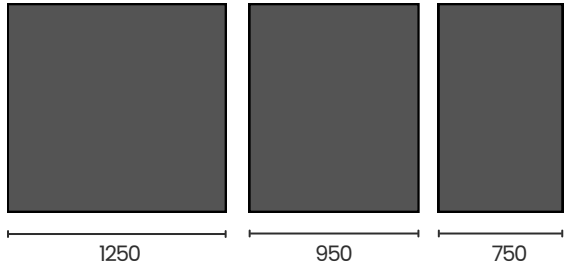
Unit Depth Options



Unit Height Options

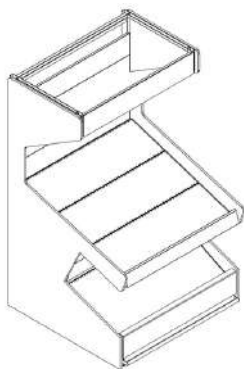


Unit Length Options



## VERDE WALL UNIT MAIN PARTS

---



### VERDE WALL UNIT

Height (mm)

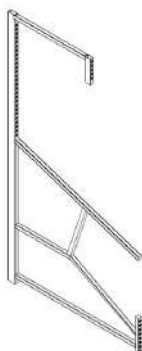
2250

Depth (mm)

1200 - 1000

Length (mm)

1250 - 950 - 750



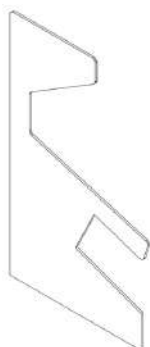
### VERDE WALL UNIT ADDITIONAL LEG

Height (mm)

2250

Depth (mm)

1200 - 1000 - 800



### VERDE WALL UNIT WOODEN SIDE PANEL

Height (mm)

2250

Depth (mm)

1200 - 1000 - 800



### VERDE TOP SHELF

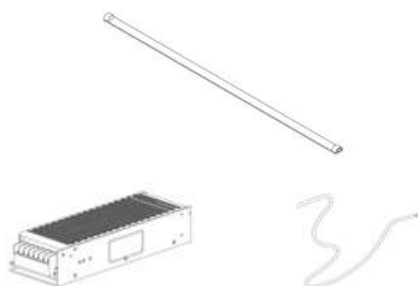
Optional

Depth (mm)

600 - 400

Length (mm)

1250 - 950 - 750



### VERDE WALL UNIT LED LIGHTING SET

Optional

3x MAGNETICLED LIGHTING HIGHT LUMEN 12 V 4000 K

L: 1200 - 900 - 700 mm

3x CABLE WITH SOCKET FOR LED LIGHTING

D: 600 mm

LED POWER SOURCHE ( 1 pcs is used in every three units )

250 W

# VERDE GONDOLA

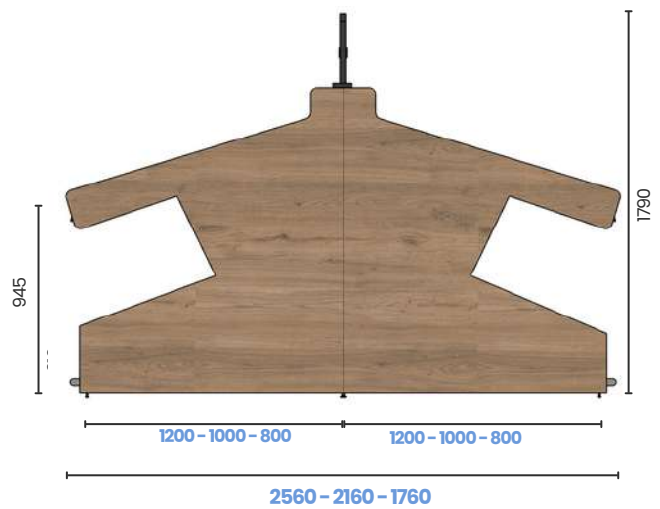


**NEW**

Unit Length Options



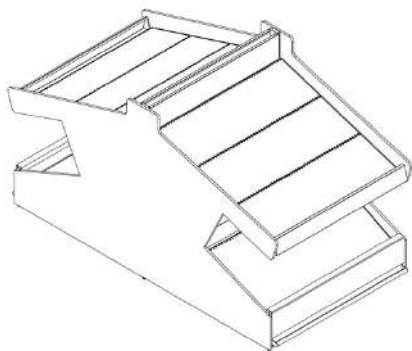
Unit Depth / Height Options





## VERDE GONDOLA MAIN PARTS

---



### VERDE GONDOLA

**Height (mm)**

1440

**Depth (mm)**

2560 (1200 + 1200)

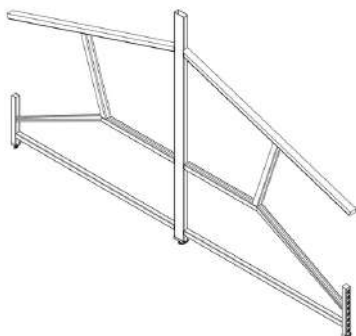
2160 (1000 + 1000 )

1760 (800 + 800 )

**Length (mm)**

1250 - 950 - 750

---



### VERDE GONDOLA ADDITIONAL LEG

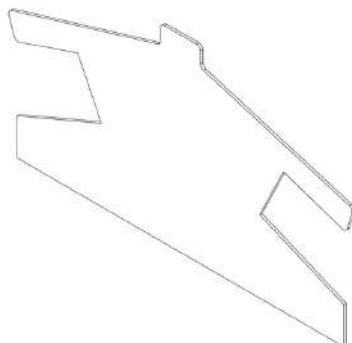
**Height (mm)**

1440

**Depth (mm)**

2560 - 2560 - 1760

---



### VERDE GONDOLA WOODEN SIDE PANEL

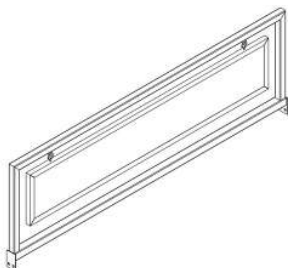
**Height (mm)**

1440

**Depth (mm)**

2560 - 2560 - 1760

---



### F&V TOP VISUAL BANNER

Optional

**Length (mm)**

1250-950

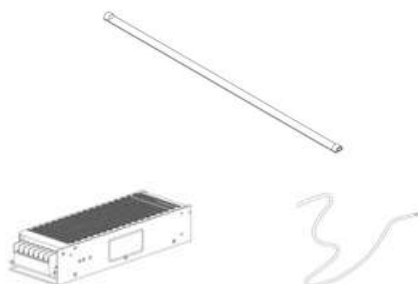
**Depth (mm)**

30

**Height (mm)**

350

---



### VERDE GONDOLA LED LIGHTING SET

Optional

**2x MAGNETICLED LIGHTING HIGH LUMEN 12 V 4000 K**

L: 1200 - 900 - 700 mm

**2x CABLE WITH SOCKET FOR LED LIGHTING**

D: 600 mm

**LED POWER SOURCE ( 1 pcs is used in every three units )**

250 W

---



**ROYAL ISLAND**

---



**NEW**



Special wooden laminated color for ROYAL. Water and moisture resistant coating.

Brushed bronze color coating specially produced for Royal

**STYLISH  
POWERFUL  
AMBITIOUS**



Royal Island offers a variety of accessories and display options to create your own produce presentation. The F&V cases can be displayed in multiple angles vertically. The case vertical riser allows you to display the cases at different angles. There are also different shelf, basket and podium options for packed or bulk display.

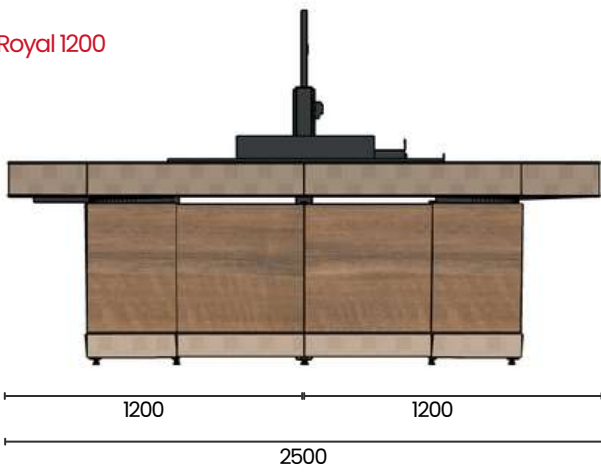
# ROYAL ISLAND DIMENSIONS

## Unit Height / Length Options

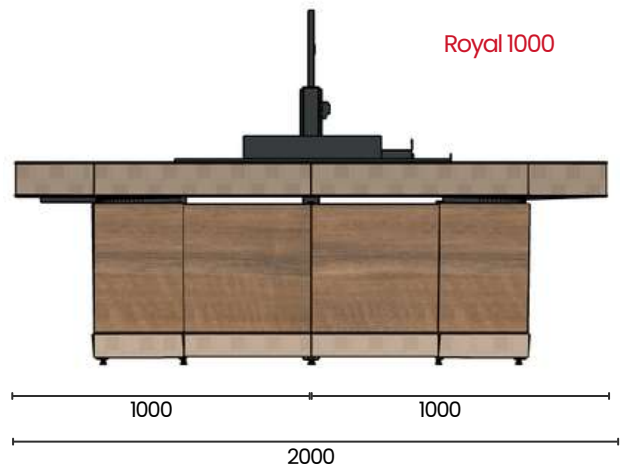


## Unit Depth Options

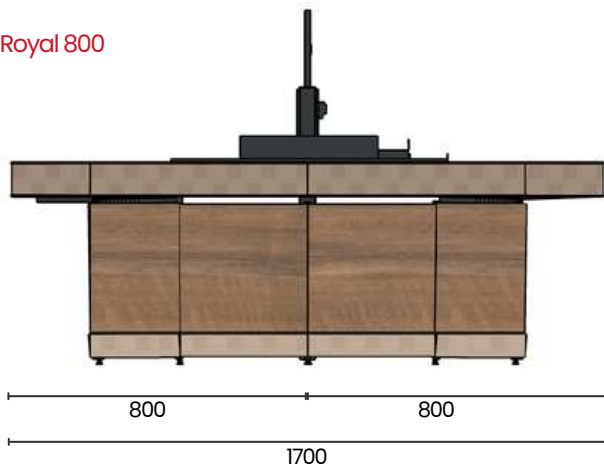
Royal 1200



Royal 1000



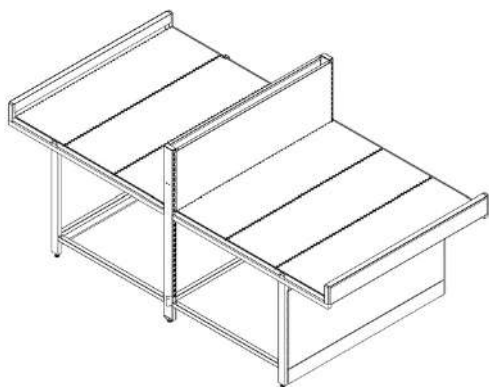
Royal 800



Royal Island has a modular structure. The Gondola module can be added to the configuration in any desired quantity, so it's possible to extend or shorten the total display size according to the available space in the store. In the example above, 3 Gondola modules are used.

## ROYAL ISLAND MAIN PARTS

---



### ROYAL GONDOLA

Height (mm)

1200

Depth (mm)

2500 (1200 + 1200)

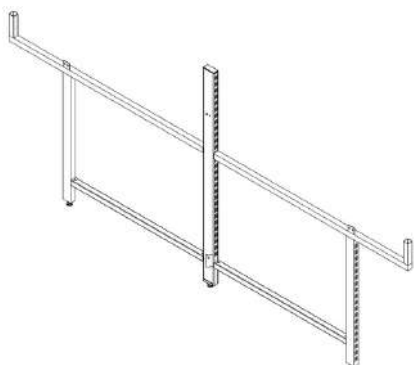
2000 (1000 + 1000)

1700 (800 + 800)

Length (mm)

1250

---



### ROYAL ADDITIONAL LEG

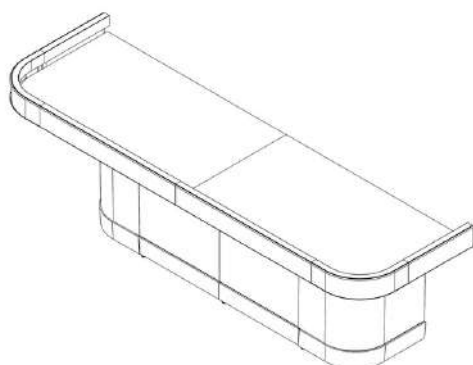
Height (mm)

1200

Depth (mm)

2500 - 2000 - 1700

---



### ROYAL HEAD GONDOLA

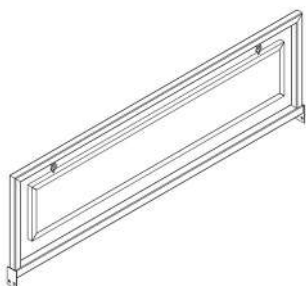
Height (mm)

900

Depth (mm)

2500 - 2000 - 1700

---



### F&V TOP VISUAL BANNER

Length (mm)

1250-950

Depth (mm)

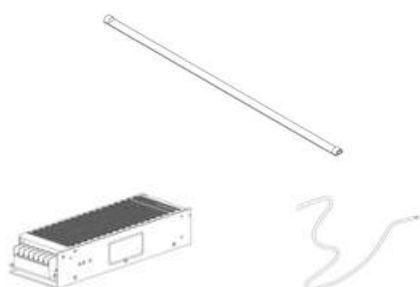
30

Height (mm)

350

Optional

---



### ROYAL ISLAND LED SET

Optional

MAGNETIC LED LIGHTING HIGH LUMEN 12 V 4000 K

CABLE WITH SOCKET FOR LED LIGHTING

LED POWER SOURCE

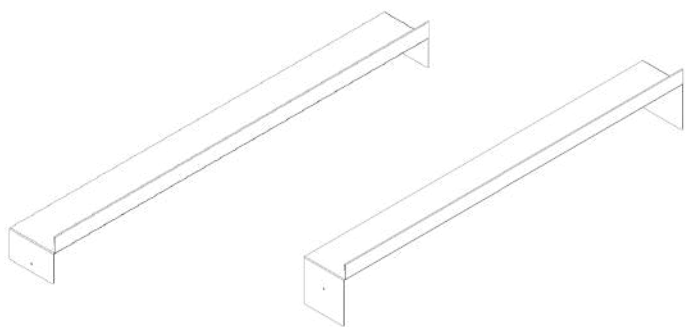
250 W

It is calculated according to the total **Island** size.

---

## ROYAL OPTIONAL PARTS & ACCESSORIES

---



### ROYAL UNDER-CASE RISER

Length (mm)

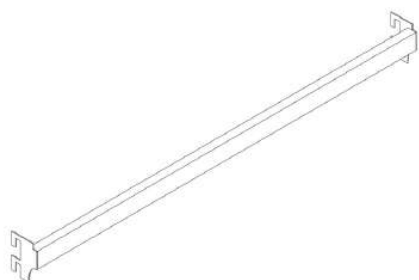
1250

Depth (mm)

100

Height (mm)

90 - 140



### ACCESSORY HOLDER

Length (mm)

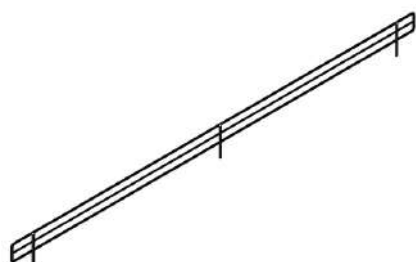
1250

Depth (mm)

20

Height (mm)

40



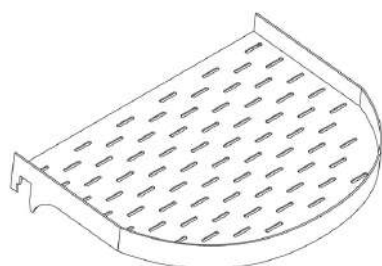
### S35 METAL SHELF FRONTGRID

Length (mm)

1250

Height (mm)

50



### METAL ROUND SHELF (ATG)

Length (mm)

600

Depth (mm)

400



### WIRE BASKET (ATG)

Length (mm)

300

Depth (mm)

400

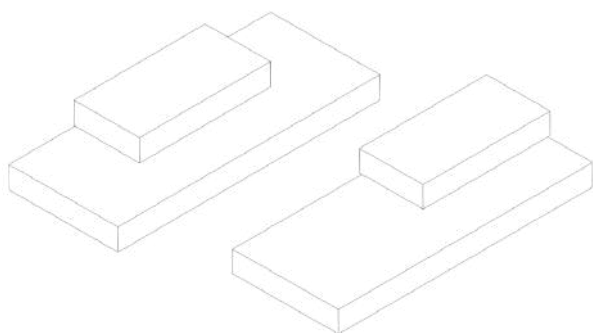
Height (mm)

200



## ROYAL OPTIONAL PARTS & ACCESSORIES

---



### ACCESSORY HOLDER

**Length (mm)**

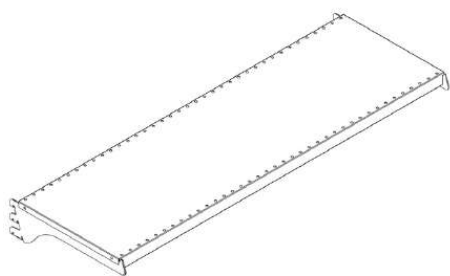
750-950

**Depth (mm)**

20

**Height (mm)**

40



### S35 METAL SHELF

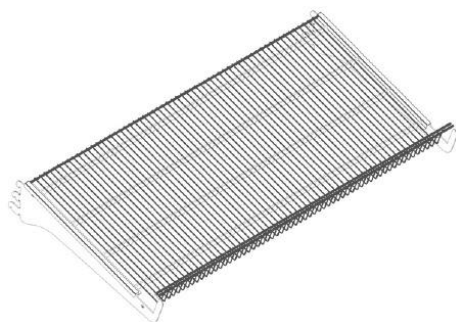
**Depth (mm)**

600 - 500 - 400 - 300

**Length (mm)**

1250-950-750

\*Use 2 pieces S35 metal shelf bracket for each shelf



### S35 WIRE SHELF

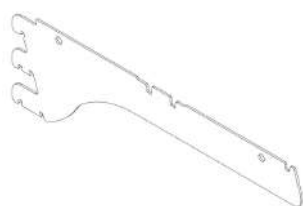
**Depth (mm)**

600 - 500 - 400 - 300

**Length (mm)**

1250 - 950 - 750

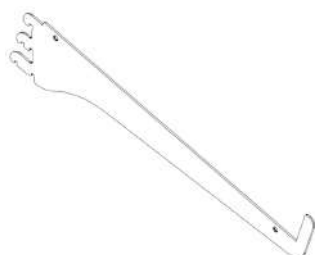
\*Use 2 pieces S35 wire shelf bracket for each shelf



### S35 METAL SHELF BRACKET

**Depth (mm)**

600 - 500 - 400 - 300



### S35 WIRE SHELF BRACKET

**Depth (mm)**

600 - 500 - 400 - 300



# VENDURA

---

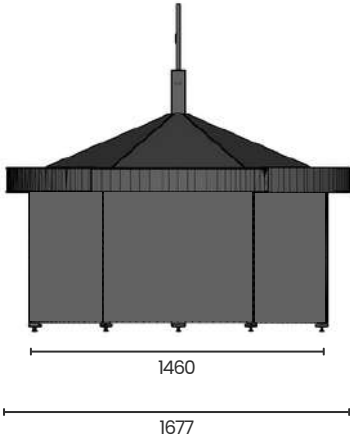
FRUITS



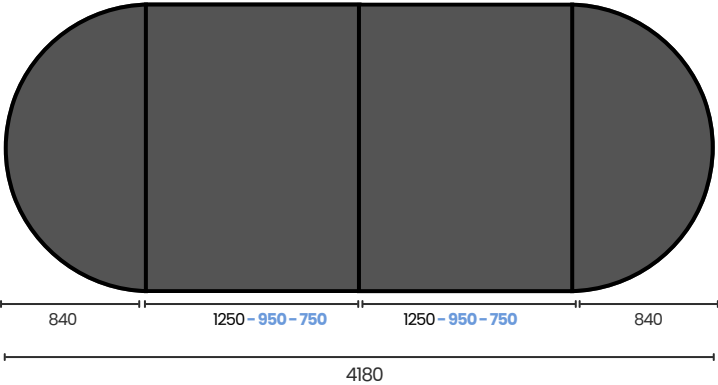
# VENDURA ISLAND



Unit Max Depth Options



Unit Length Options

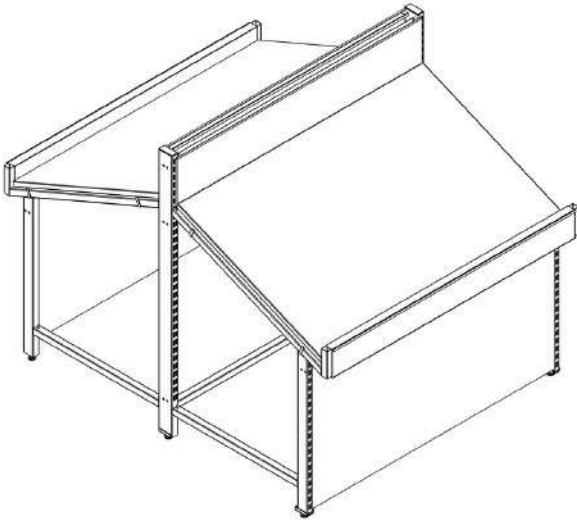


Unit Height Options



## VENDURA MAIN PARTS

---

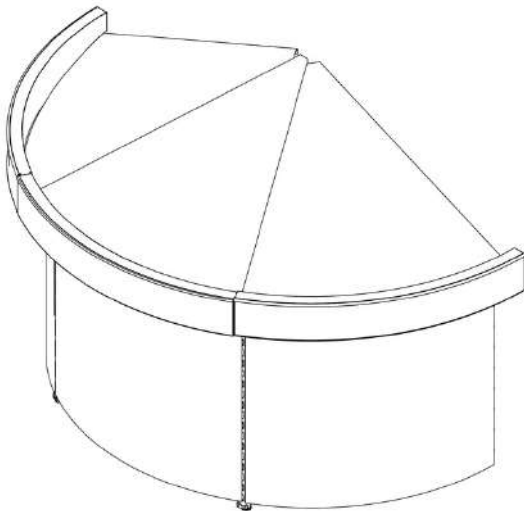


### VENDURA GONDOLA

**Height (mm)**  
1270

**Depth (mm)**  
1460 (730+730)  
1250 (625+625)

**Length (mm)**  
1250 - 950 - 750

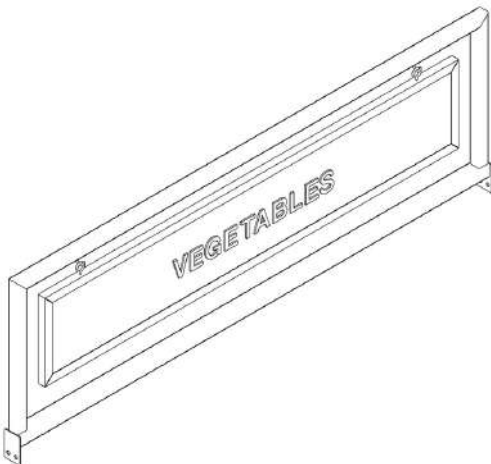


### VENDURA HEAD GONDOLA

**Height (mm)**  
1060

**Depth (mm)**  
840 (for 1450 depth)  
640 (for 1250 depth)

**Length (mm)**  
1460 - 1250



### F&V TOP VISUAL BANNER

**Length (mm)**  
1250 - 950 - 750

**Height (mm)**  
350

Optional



**GREENS**

---

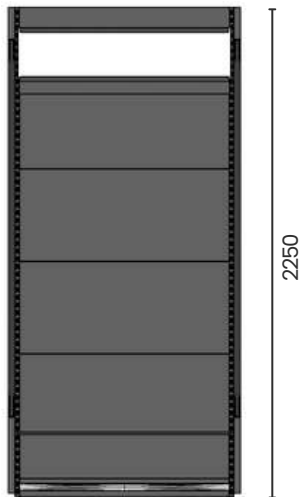
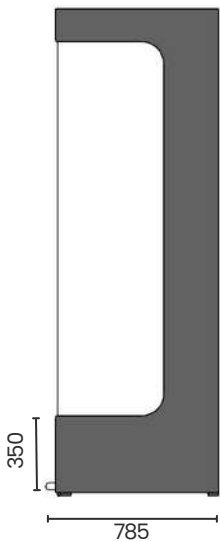


# GREENS WALL UNIT

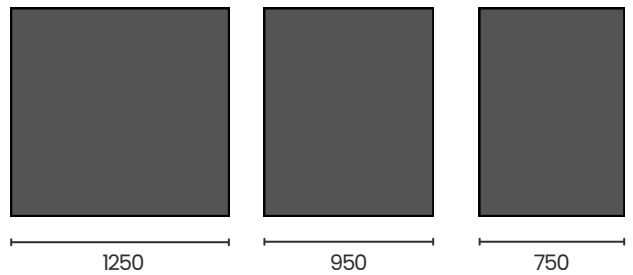


Unit Max Depth Options

Unit Height Options



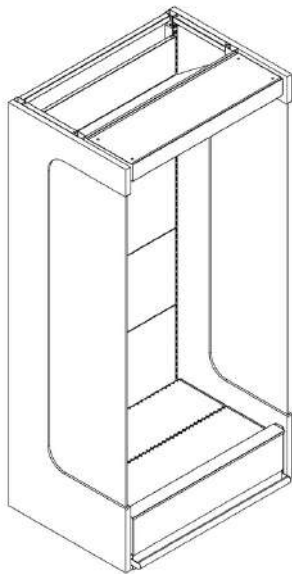
Unit Length Options





## GREENS MAIN PARTS

---



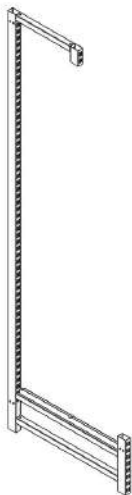
### GREENS WALL UNIT

Height (mm)  
2250

Depth (mm)  
700

Length (mm)  
1250 - 950 - 750

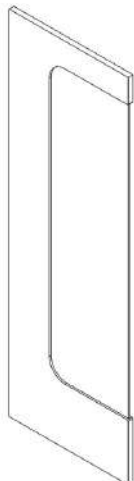
LED lighting under the canopy is included



### GREENS WALL UNIT ADDITIONAL LEG

Height (mm)  
2250

Depth (mm)  
700



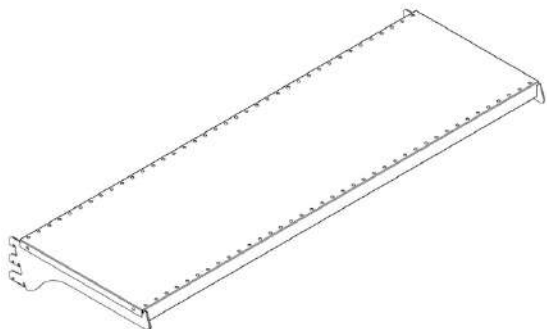
### GREENS WALL UNIT WOODEN SIDE PANEL

Height (mm)  
2250

Depth (mm)  
700

## GREENS PARTS & ACCESSORIES

---



### S35 METAL SHELF

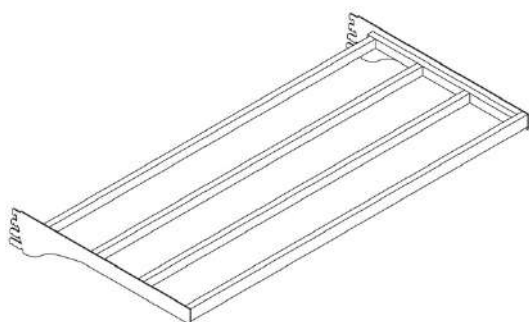
**Depth (mm)**

600 - 500 - 400 - 300

**Length (mm)**

1250-950-750

\*Use 2 pieces S35 metal shelf bracket for each shelf



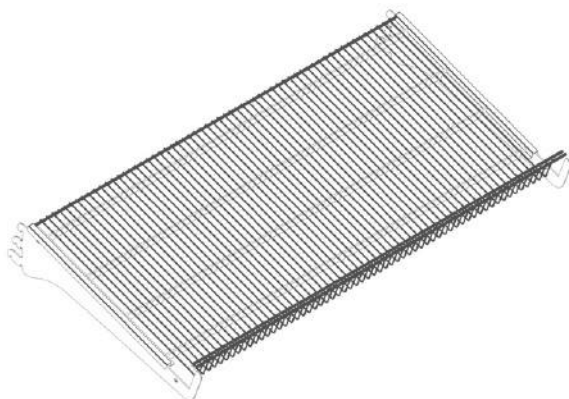
### S35 PROFILE SHELF

**Depth (mm)**

600 - 400

**Length (mm)**

1250 - 950 - 750



### S35 WIRE SHELF

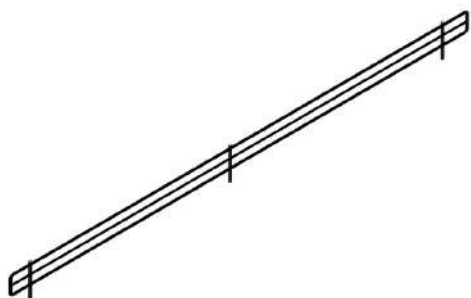
**Depth (mm)**

600 - 500 - 400 - 300

**Length (mm)**

1250 - 950 - 750

\*Use 2 pieces S35 wire shelf bracket for each shelf



### S35 METAL SHELF FRONTGRID

**Length (mm)**

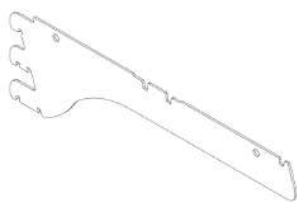
1250 - 950 - 750

**Height (mm)**

50

## GREENS PARTS & ACCESSORIES

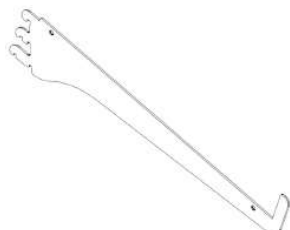
---



### S35 METAL SHELF BRACKET

Depth (mm)  
600 - 500 - 400 - 300

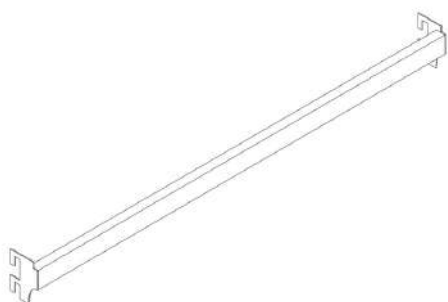
---



### S35 WIRE SHELF BRACKET

Depth (mm)  
600 - 500 - 400 - 300

---



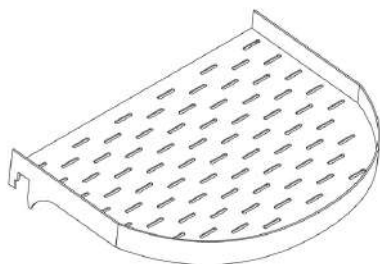
### ACCESSORY HOLDER

Length (mm)  
1250 - 950 - 750

Depth (mm)  
20

Height (mm)  
40

---

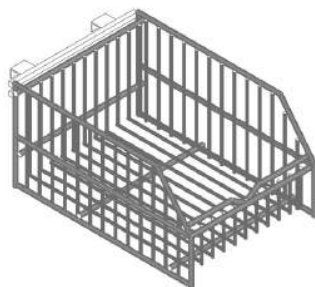


### METAL ROUND SHELF (ATG)

Length (mm)  
300-400-600

Depth (mm)  
250-300

---



### WIRE BASKET (ATG)

Length (mm)  
300

Depth (mm)  
300-400

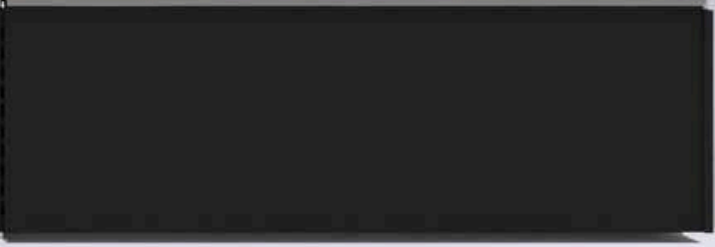
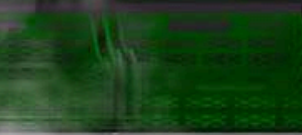
Height (mm)  
200

---



**FRESH**

---

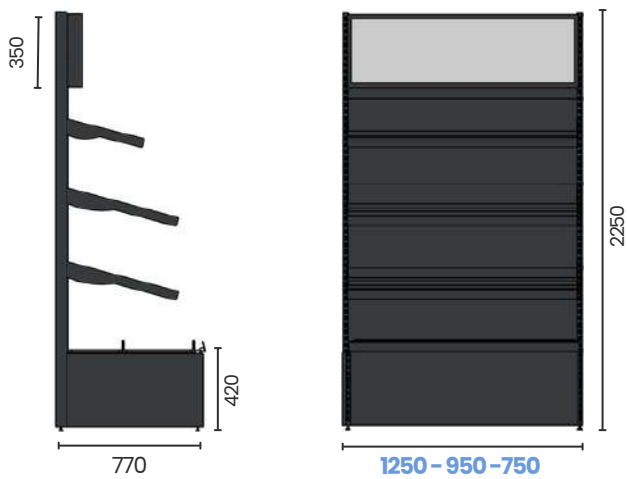


# FRESH WALL UNIT



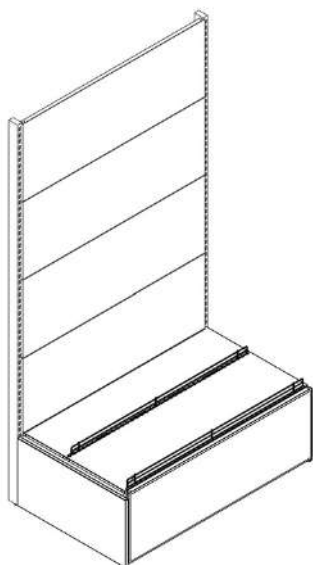
High Model Unit Dimensions

Short Model Unit Dimensions



## FRESH MAIN PARTS

---

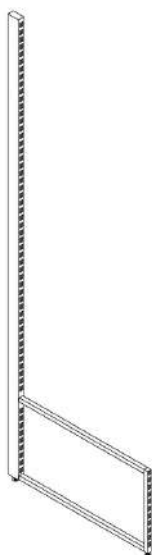


### FRESH F&V UNIT

**Height (mm)**  
2250 - 1400

**Depth (mm)**  
700

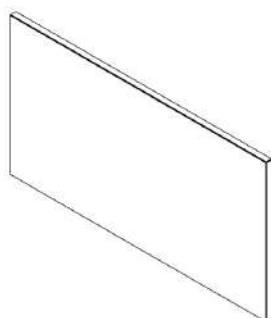
**Length (mm)**  
1250 - 950 - 750



### FRESH F&V UNIT ADDITIONAL LEG

**Height (mm)**  
2250 - 1400

**Depth (mm)**  
700

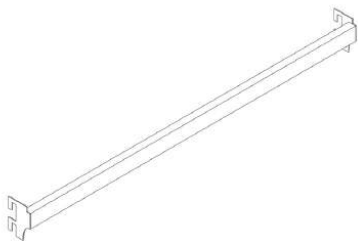


### FRESH F&V WOODEN SIDE PANEL

**Depth (mm)**  
700

## FRESH OPTIONAL PARTS & ACCESSORIES

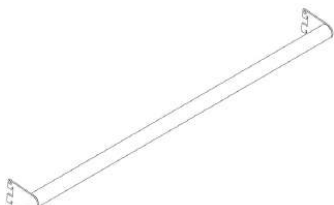
---



### S35 ACCESSORY HOLDER (20\*40)

Length (mm)  
1250 - 950 - 750

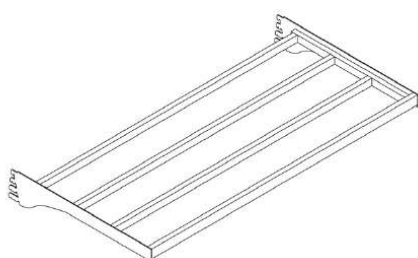
---



### S35 BARRIER

Length (mm)  
1250 - 950 - 750

---

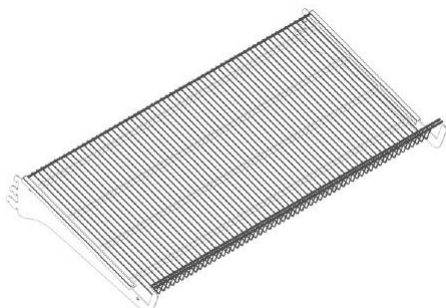


### S3 PROFILE SHELF

Depth (mm)  
600 - 400

Length (mm)  
1250 - 950 - 750

---



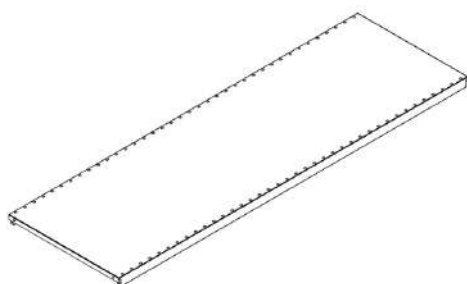
### S3 WIRE SHELF

Depth (mm)  
600 - 500 - 400

Length (mm)  
1250 - 950 - 750

\*Use 2 pieces S35 wire shelf bracket for each

---



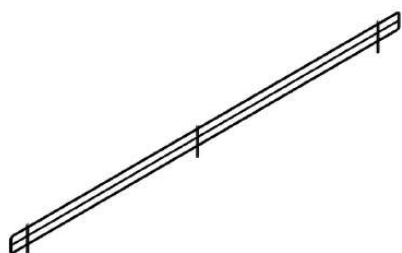
### S35 METAL TOP SHELF

Depth (mm)  
600 - 500 - 400 - 300

Length (mm)  
1250 - 950 - 750

\*Use 2 pieces S35 metal shelf bracket for each

---



### S35 METAL SHELF FRONTGRID

Length (mm)  
1250

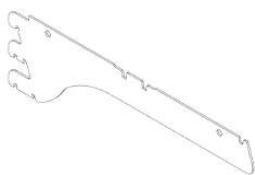
Height (mm)  
50

---



## FRESH OPTIOANAL PARTS & ACCESSORIES

---



### S35 METAL SHELF BRACKET

Depth (mm)  
600 - 500 - 400 - 300

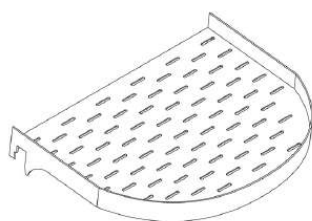
---



### S35 WIRE SHELF BRACKET

Depth (mm)  
600 - 500 - 400 - 300

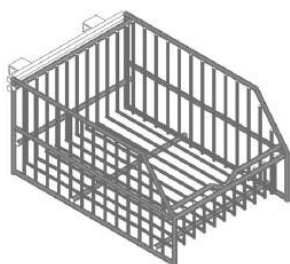
---



### METAL ROUND SHELF (ATG)

Length (mm)  
600  
Depth (mm)  
400

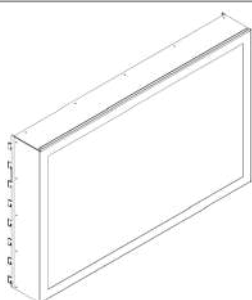
---



### WIRE BASKET (ATG)

Length (mm)  
300  
Depth (mm)  
400  
Height (mm)  
200

---

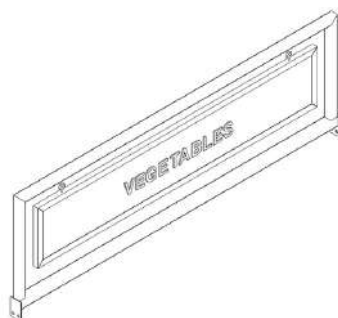


### LIGHTBOX (DSG)

Height (mm)  
350  
Length (mm)  
1250 - 950 - 750

LED LIGHTING

---



### F&V TOP VISUAL BANNER

Length (mm)  
1250 - 950 - 750  
Height (mm)  
350

---



# DYNAMIC F&V

---

FRUIT



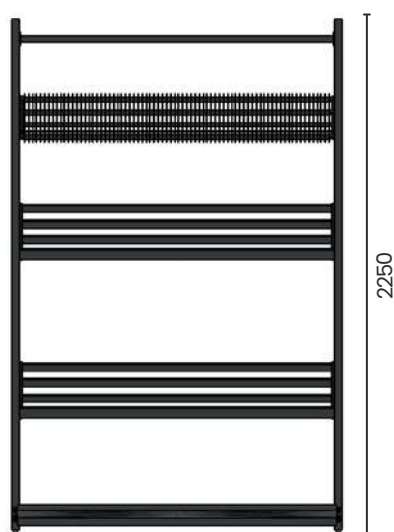
# DYNAMIC WALL UNIT



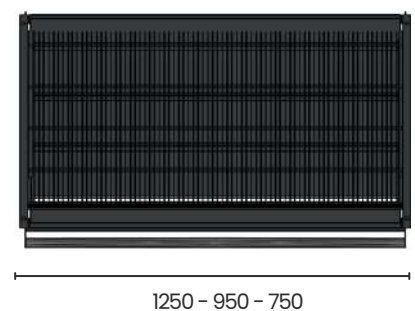
Unit Depth Options



Unit Height Options



Unit Length Options



## DYNAMIC PARTS & ACCESSORIES

---



### F&V S35 DYNAMIC FRAME

Height (mm)

2250

Depth (mm)

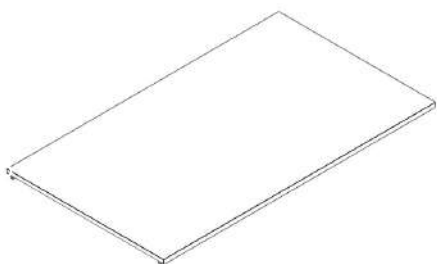
700



### F&V DYNAMIC BEAM

Length (mm)

1250 - 950 - 750



### F&V DYNAMIC WOODEN BASE SHELF

Length (mm)

1250 - 950 - 750

Depth (mm)

700



### S35 PLINTH

Length (mm)

1250 - 950 - 750

Height (mm)

110



### F&V DYNAMIC WOODEN CANOPY

Length (mm)

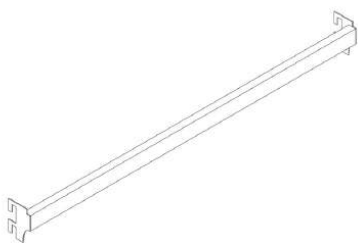
1250 - 100 - 750

Depth (mm)

700

## DYNAMIC PARTS & ACCESSORIES

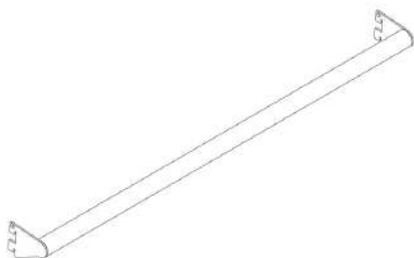
---



### S35 ACCESSORY HOLDER (20\*40)

Length (mm)  
1250 - 950 - 750

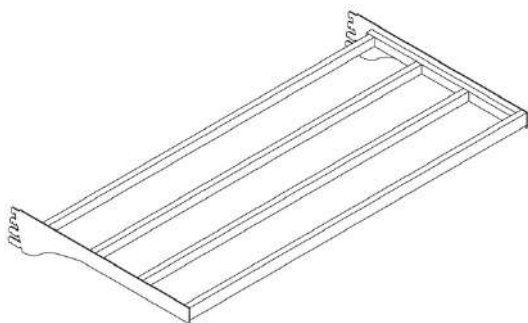
---



### S35 BARRIER

Length (mm)  
1250 - 950 - 750

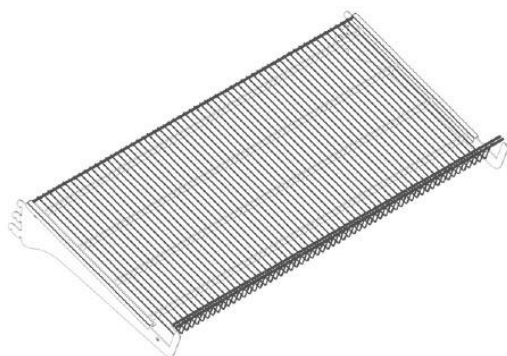
---



### S35 PROFILE SHELF

Depth (mm)  
600 - 400  
Length (mm)  
1250 - 950 - 750

---

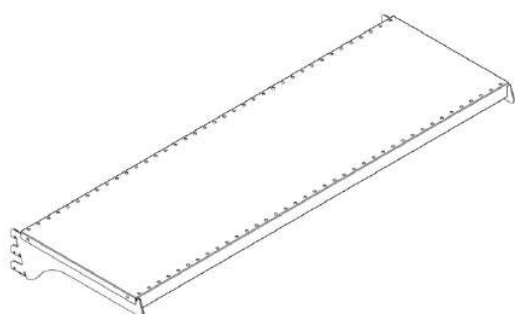


### S35 WIRE SHELF

Depth (mm)  
600 - 500 - 400  
Length (mm)  
1250 - 950 - 750

\*Use 2 pieces S35 wire shelf bracket for each

---



### S35 METAL SHELF

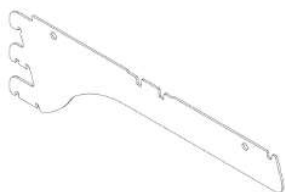
Depth (mm)  
600 - 500 - 400 - 300  
Length (mm)  
1250 - 950 - 750

\*Use 2 pieces S35 metal shelf bracket for each shelf

---

## DYNAMIC PARTS & ACCESSORIES

---



### S35 METAL SHELF BRACKET

Depth (mm)  
600 - 500 - 400 - 300

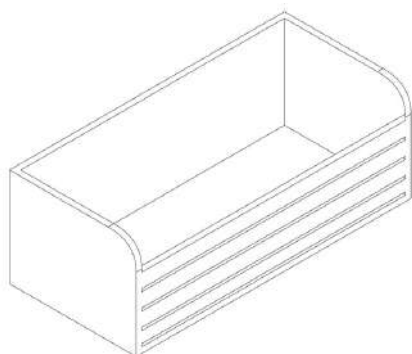
---



### S35 WIRE SHELF BRACKET

Depth (mm)  
600 - 500 - 400 - 300

---



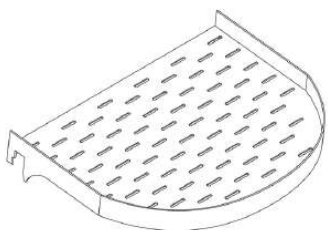
### WOODEN BASE BASKET

Height (mm)  
450

Depth (mm)  
700

Length (mm)  
1250 - 950 - 750

---



### METAL ROUND SHELF (ATG)

Length (mm)  
600

Depth (mm)  
400

---



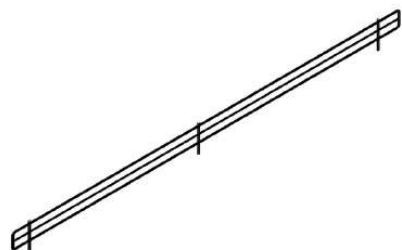
### WIRE BASKET (ATG)

Length (mm)  
300

Depth (mm)  
400

Height (mm)  
200

---



### S35 METAL SHELF FRONTGRID

Length (mm)  
1250 - 950 - 750

Height (mm)  
50

---

# GREAT F&V BIN

**400 Kg Capacity**



## UNIT DIMENSIONS OPTIONS (HxDxL)

850 x **600** x **600**

850 x **800** x **800**

850 x **1000** x **1000**

850 x **1200** x **1200**

850 x **600** x **800**

850 x **800** x **1000**

850 x **1000** x **1200**

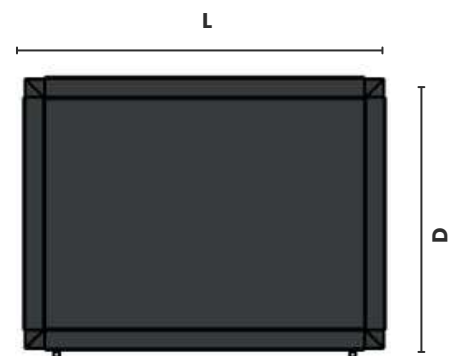
850 x **600** x **1000**

850 x **800** x **1200**

850 x **600** x **1200**



850

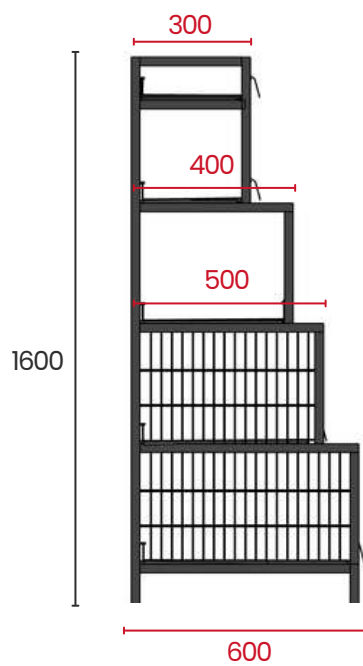




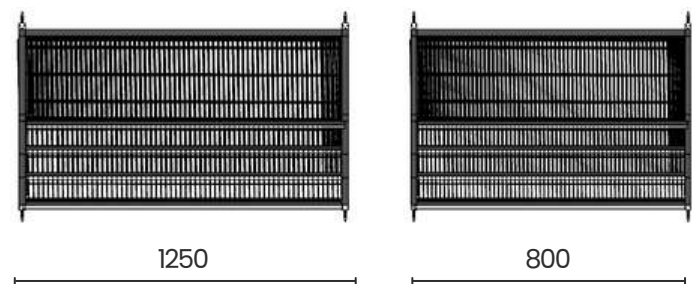
# SEC F&V BASKET



Unit Height & Depth Options



Unit Length Options

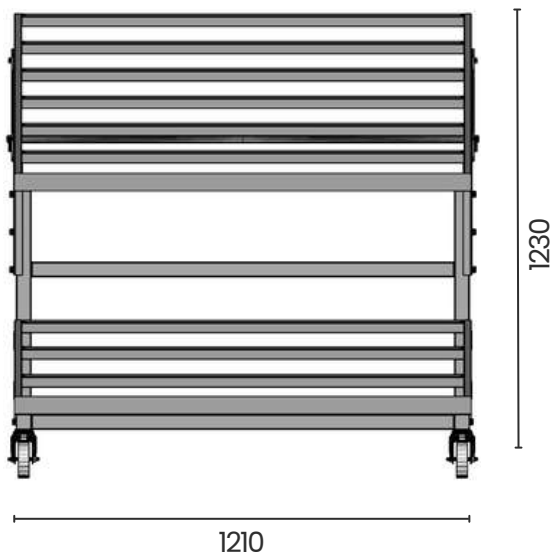


# BLOOM F&V STAND

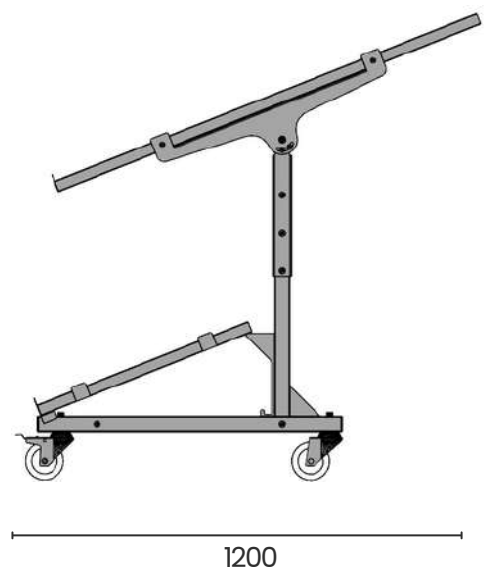
angle adjustable  
top table



Unit Height & Length Options



Unit Depth Options



# S-GON F&V TABLE

**PARTS** (hxdxI)

- S-GON TABLE 860\*650\*1200
- METAL SHELF 200\*650
- WOODEN SHELF SET 200\*1200
- WOODEN CASE 100\*300\*500
- WOODEN CASE 150\*300\*500

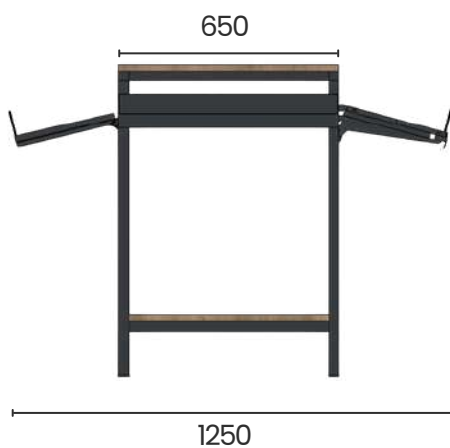


**WOODEN CASE**

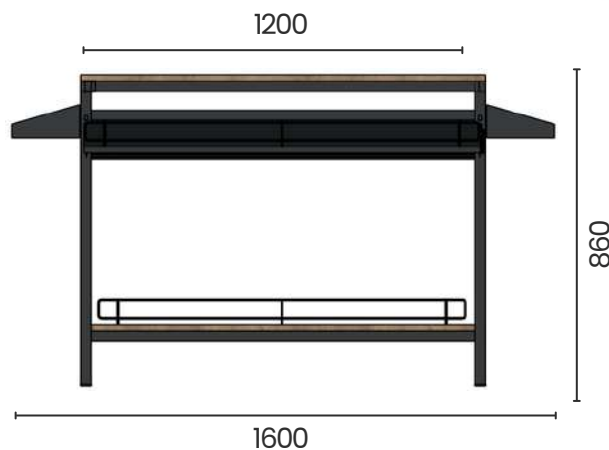
- 100 x 300 x 500
- 150 x 300 x 500



Unit Depth Options



Unit Height / Length Options



# Z-GON F&V TABLE

---



# Z-GON TABLE & STANDBOX

## Z-GON TABLE

### UNIT PARTS

Z-GON MAXI TABLE 860\*650\*1200

Z-GON MINI TABLE 550\*500\*940

TOP PROFILE & BANNER 600\*1200

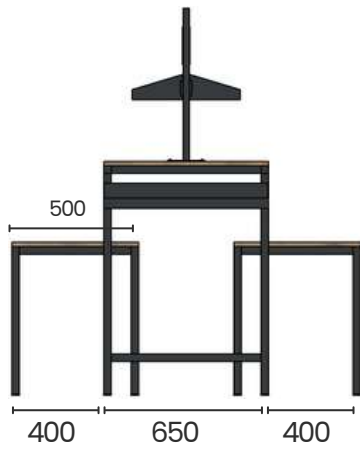
METAL SIDE SHELF ATG 200\*650

METAL SHELF 200\*1200

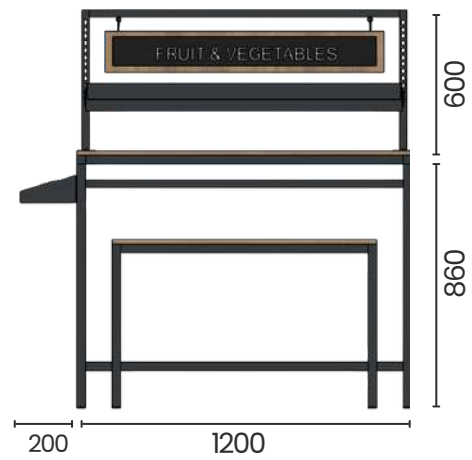
WOODEN CASE 100\*300\*500

WOODEN CASE 150\*300\*500

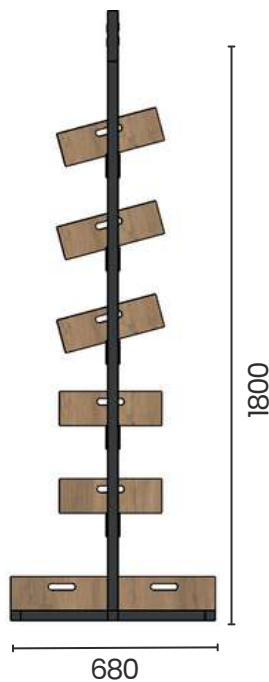
Unit Depth Options



Unit Height / Length Options



## STANBOX



### WOODEN CASE

100 x 300 x 500

150 x 300 x 500

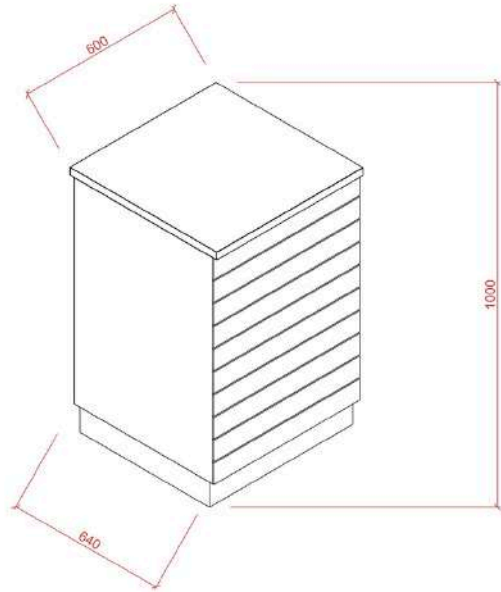


# SCALES DESK

---

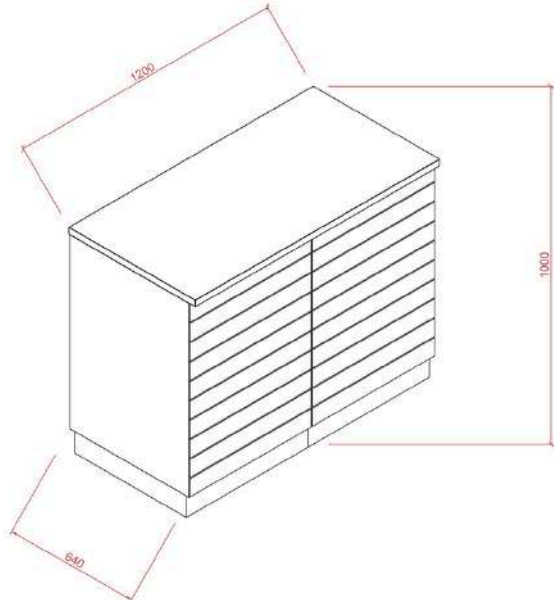
## SCALES DESK SINGLE

(hxdxl) 1000 x 640 x 600



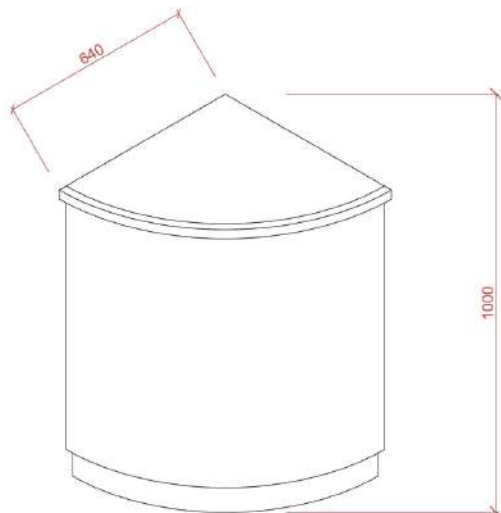
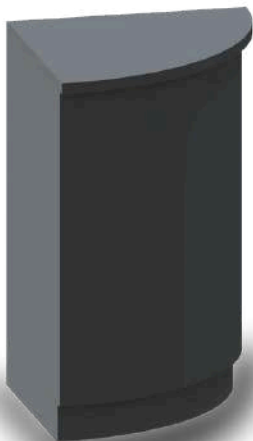
## SCALES DESK DOUBLE

(hxdxl) 1000 x 640 x 1200



## SCALES DESK CORNER

(hxdxl) 1000 x 640 x 640



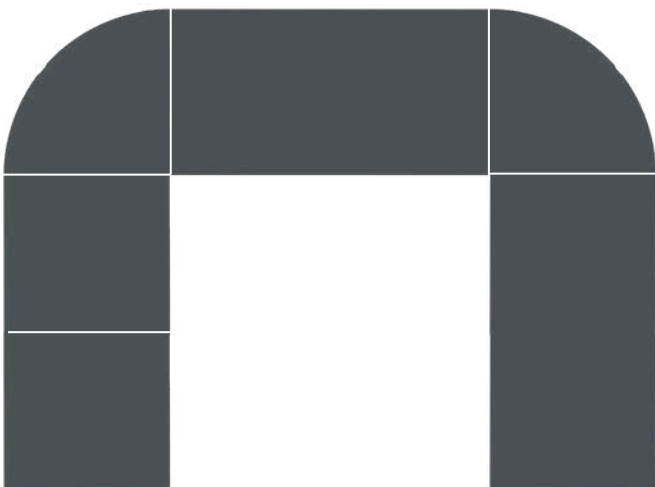
# SCALES DESK SAMPLE MODULES

---

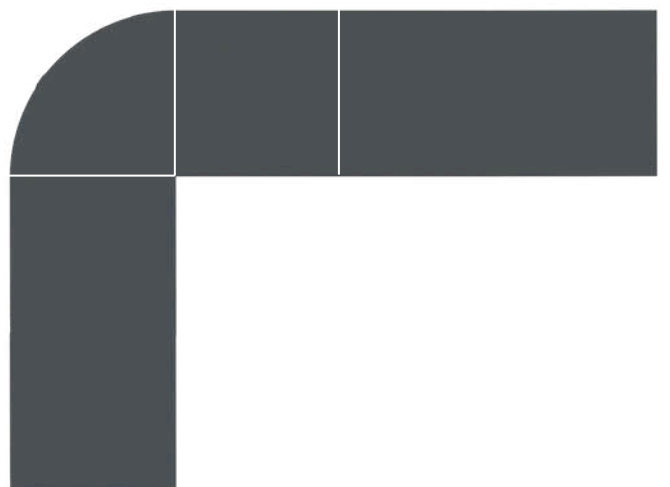


3 x SCALES DESK SINGLE  
3 x SCALES DESK DOUBLE  
4 x SCALES DESK CORNER

## Usage Recommendations...



1 x SCALES DESK SINGLE  
2 x SCALES DESK DOUBLE  
2 x SCALES DESK CORNER



1 x SCALES DESK SINGLE  
2 x SCALES DESK DOUBLE  
1 x SCALES DESK CORNER









+90 (224) 441 66 61

sova@sovaretail.com

Üçevler Mah. Ertuğrul Cad.  
No:89A, Nilüfer, 16120  
Bursa, Türkiye

**SOVA**