



BAKERY DISPLAY

Technical Catalogue

2024



We follow all the developments in the retail world. We strive to provide better quality products and services to our customers.

We aim to increase our customers' profitability by running ahead of the market with innovative solutions.

DREAM TO REALITY STEP BY STEP

Brands that will reach for the future are those that have stores which can touch the soul of the consumer. We use our expertise and our endless energy to design "unique" stores for you.

All components and accessories in the Kios Units and Dynamic units are **compatible** with each other. For additional accessories and parts of the Dynamic System, you can refer to the Dynamic Technical Catalog and use all the parts.

Brief Information01

Material & Color Options 02

KIOS WALL SYSTEM 03

KIOS ISLAND SYSTEM 04

KIOS Displays System Detail05

KIOS Displays System Main Parts 06

KIOS Unit Parts 07

KIOS Wall Unit Wooden Panels 08

KIOS Top Banner 09

KIOS Parts & Accessories10-14

DYNAMIC DISPLAY SYSTEM 15

DYNAMIC Part & Accessories16

DYNAMIC Accessories 17-20

HOOKS21-22

PANERA BAKERY DISPENSER23-24

PANERA BAKERY DISPENSER /with Banner.....25-26

S-GON TABLE27

Z-GON TABLE 28

BAKERY DISPLAY BASKET 29

EASY ASSEMBLE



All our models are designed in dimensions that are accepted as industrial/sector standard. Very easy and quick assembly/disassembly, which makes it highly convenient to move the displays from one store to another when necessary.

EASY & SAFE TRANSPORT

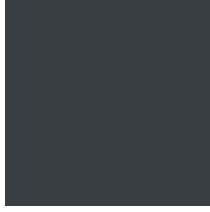


All our products are manufactured in disassembled form. They are shipped palletized or boxed safely. This helps us lower the transportation costs as much as possible.

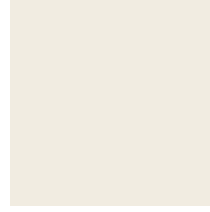


MATERIAL & COLOR OPTIONS

- Metal Colors



RAL 7016



RAL 9010



RAL 9005



RAL 1019



RAL 7030

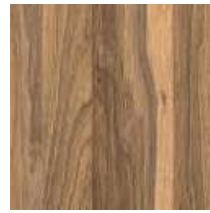


RAL 1013

- Wooden Material



DERİN SEPET



DERİN TESBİH



SAFİR MEŞE



ANTRASİT



KUBA



CADİZ

KIOS WALL SYSTEM



COMPATIBLE S25
SYSTEM

KIOS is a multifunctional display system for baked goods, which blends a variety of materials, such as wood, metal, wire and plexiglass, in a harmonious and stylish design. KIOS provides the retailer the maximum efficiency in product presentation thanks to its vast variety of exchangeable and adjustable shelves, cabinets and accessories.

KIOS ISLAND SYSTEM



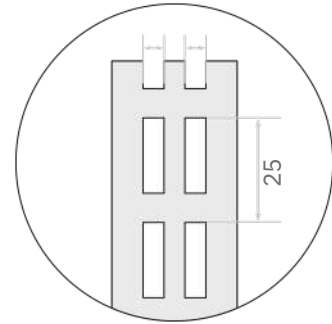
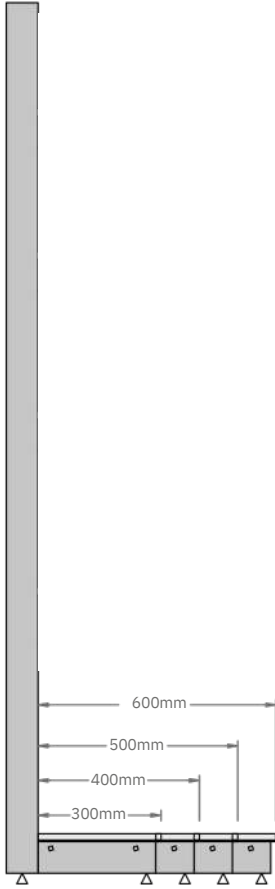
It's very straightforward to create a complete sales area for baked goods by using the wall and gondola units together, offered in different measures of depth/ length which help the retailer achieve an efficient use of space.

KIOS is fully compatible with the accessories that are part of the Sova Product Ecosystem.

The modular industrial design ensures a safe and easy transport along with an effortless assembly.

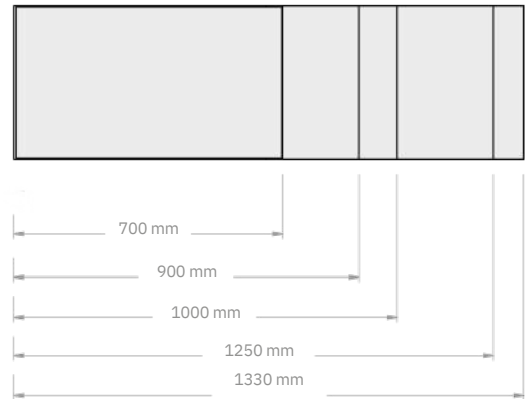
KIOS DISPLAYS SYSTEM DETAIL

Unit Depth Options

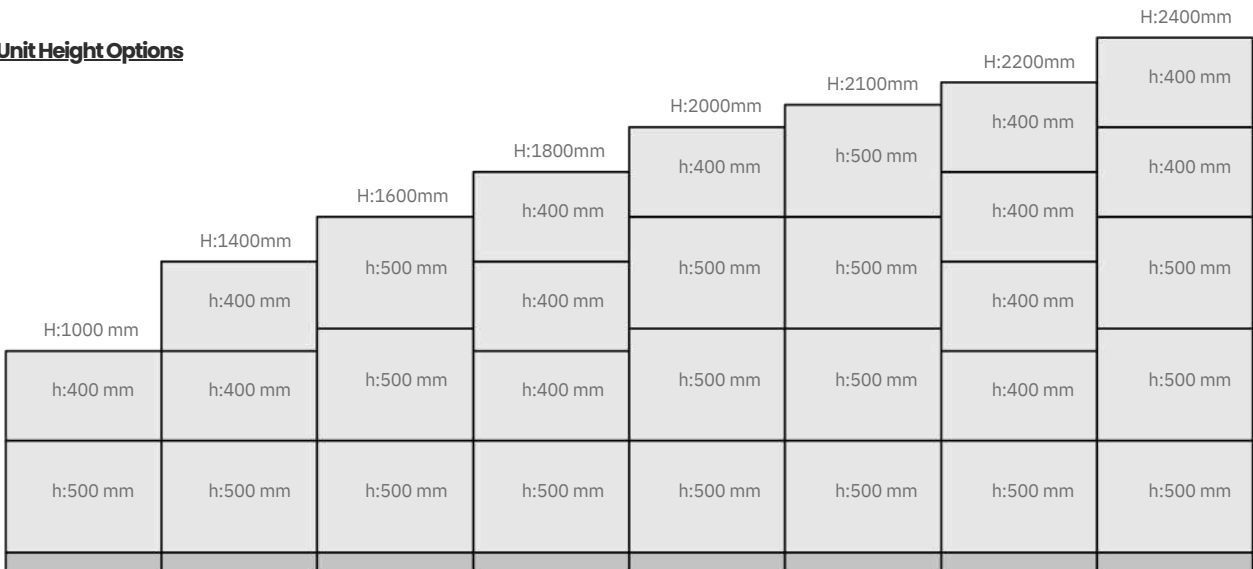


25mm Pitch

Unit Length Options

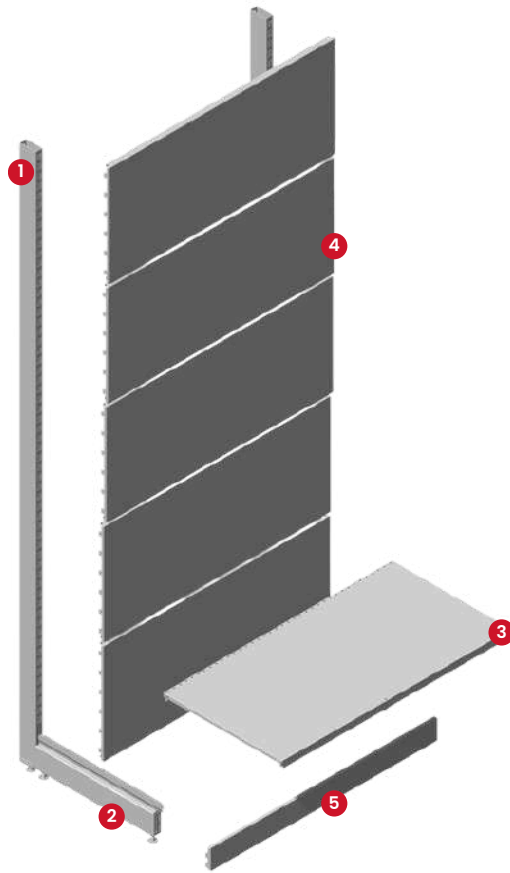


Unit Height Options



KIOS DISPLAY SYSTEM MAIN PARTS

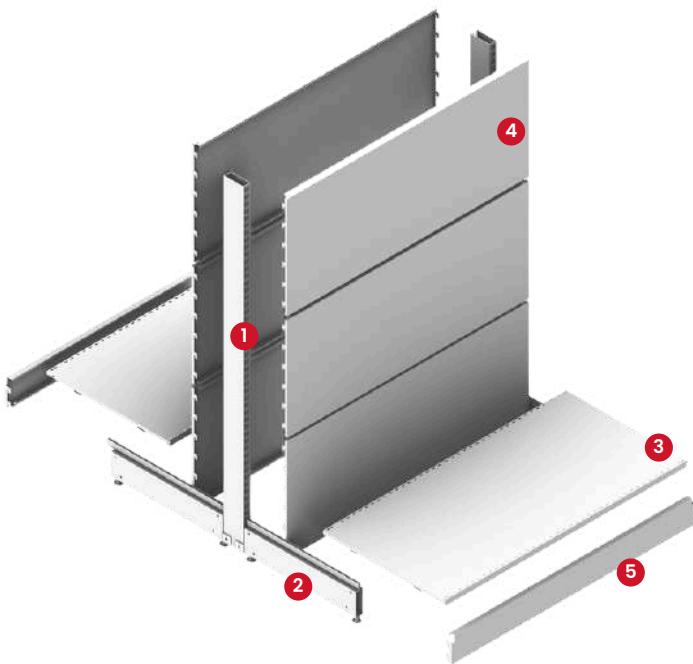
Wall



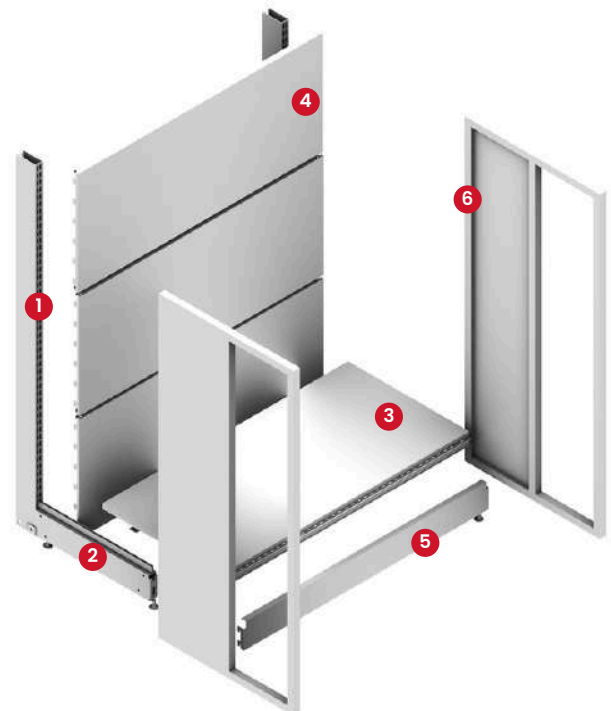
KIOS UNIT MAIN PARTS

- 1-Upright
- 2-Base Leg
- 3-Base Metal Shelf
- 4-Back Panel
- 5-Plinth
- 6-Profile Side Panel

Gondola



Head Gondola



KIOS UNIT PARTS



S25 UPRIGHT

Height (mm)

1200 - 1400 - 1600 - 1800 - 2000 -
2200 - 2400



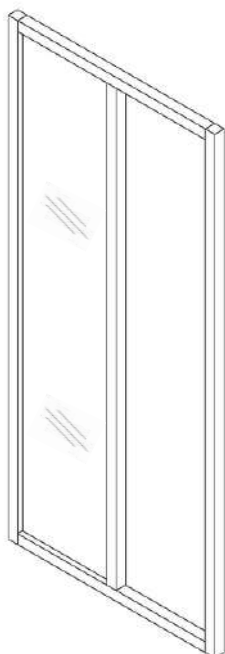
S25 BASE LEG

Height (mm)

110

Depth (mm)

300 - 400 - 500



FOR GONDOLA HEAD



GONDOLA HEAD PROFILE SIDE PANEL

Height (mm)

1200-1400-1600-1800

Depth (mm)

300-400-500

INTERNAL WOODEN FOR GONDOLA HEAD SIDE PANEL

Height (mm)

1098 (1200)

1298 (1400)

1498 (1600)

1698 (1800)

Depth (mm)

140 (300)

190 (400)

240 (500)

KIOS WALL UNIT WOODEN PANELS



FOR WALL UNIT



KIOS BAKERY UNIT SIDE COLUMN

Height (mm)

2400 - 2200 - 2000

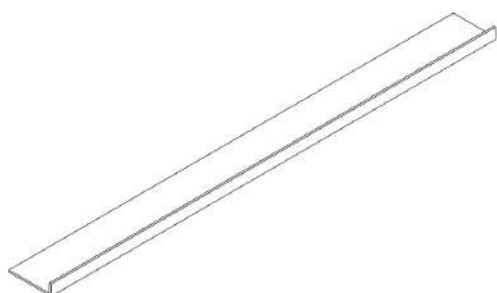
Depth (mm)

500 (For 400 Depth)

600 (For 500 Depth)

Length (mm)

120 - 150 - 200



KIOS BAKERY UNIT TOP COLUMN

Height (mm)

120 - 150 - 200

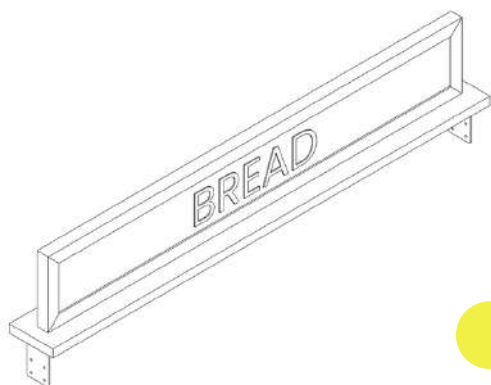
Depth (mm)

400 - 500

Length (mm)

The total unit group size is given.

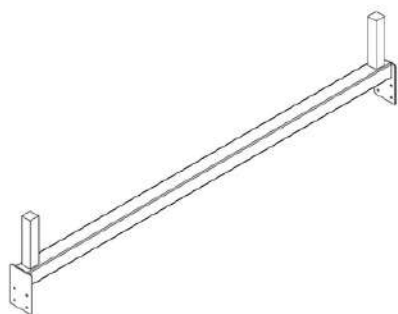
KIOS TOP BANNER



FOR **GONDOLA**

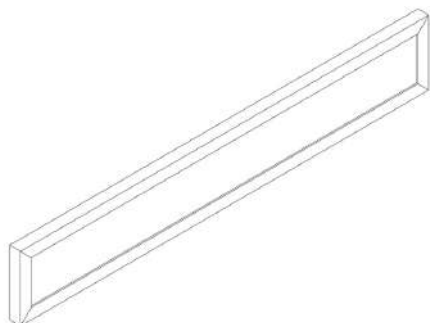


BAKERY BANNER CONNECTING BAR (S25 UPRIGHT)



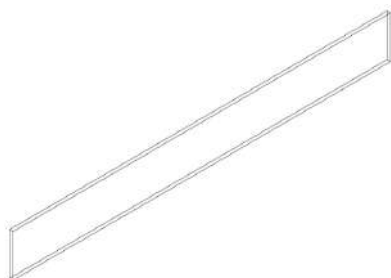
Length (mm)
700 - 900 - 1000

BAKERY BANNER PROFILE FRAME



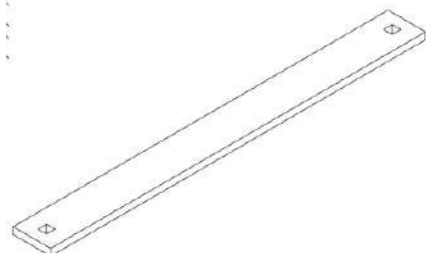
Length (mm)
700 - 900 - 1000
Height (mm)
150

WOODEN INTERNAL PANEL (INSIDE PROFILE FRAME)



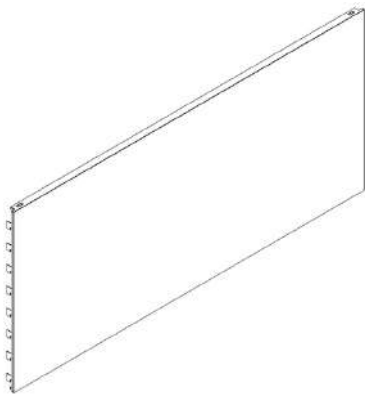
Length (mm)
700 - 900 - 1000
Height (mm)
100

WOODEN TOP COVER (ON CONNECTING BAR)



Length (mm)	Depth (mm)
700 - 900 - 1000 (Middle)	105 (30*80 Upright)
715 - 915 - 1015 (Side)	85 (30*60 Upright)
730 - 930 - 1030 (Single)	

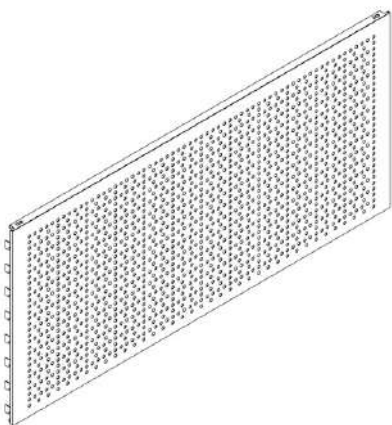
KIOS PARTS & ACCESSORIES



S25 BACK PANEL

Height (mm)
300 - 400 - 500

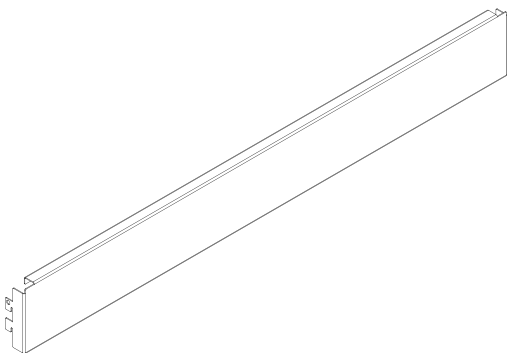
Length (mm)
700-900-1000



S25 PERFORATED BACK PANEL

Height (mm)
400 - 500

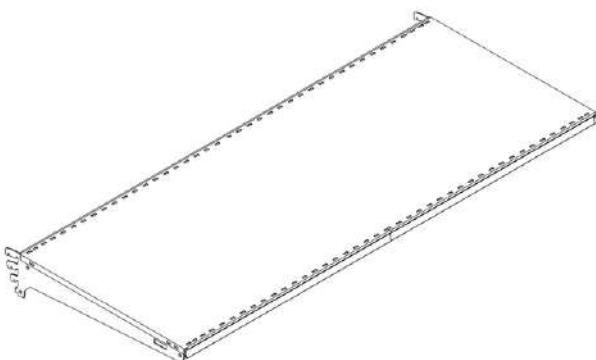
Length (mm)
700-900-1000



S25 PLINTH

Height (mm)
110

Length (mm)
700 - 900 - 1000



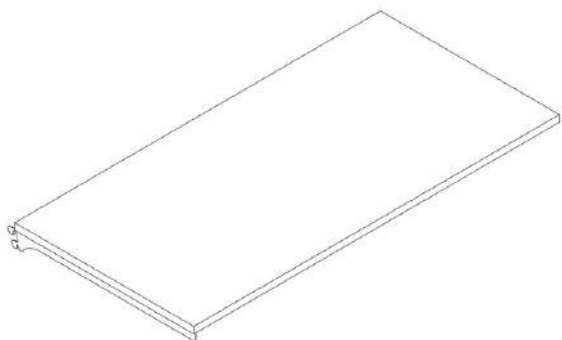
S25 METAL SHELF

Depth (mm)
300 - 400 - 500

Length (mm)
700 - 900 - 1000

*Use 2 pieces S25 metal shelf bracket for each

KIOS PARTS & ACCESSORIES

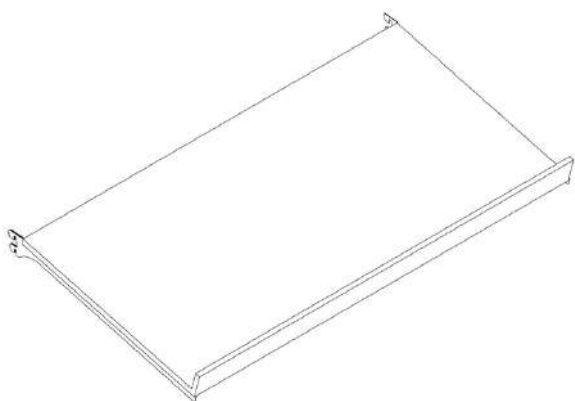


S25 WOODEN SHELF

Depth (mm)
300-400-500

Length (mm)
700-900-1000

*Use 2 pieces S25 wooden shelf bracket for each



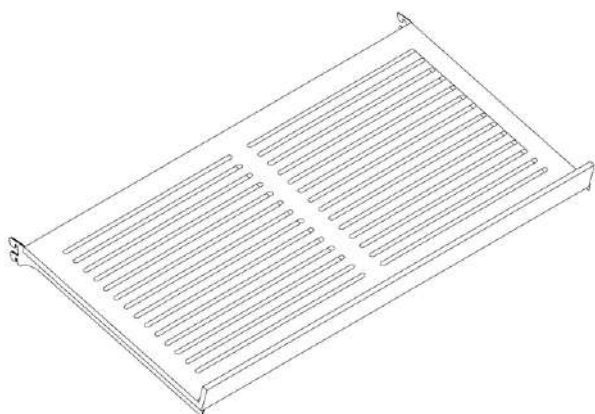
S25 WOODEN FRINGED SHELF

Depth (mm)
300-400-500

Length (mm)
700-900-1000

Height (mm)
50

*Use 2 pieces S25 wooden shelf bracket for each



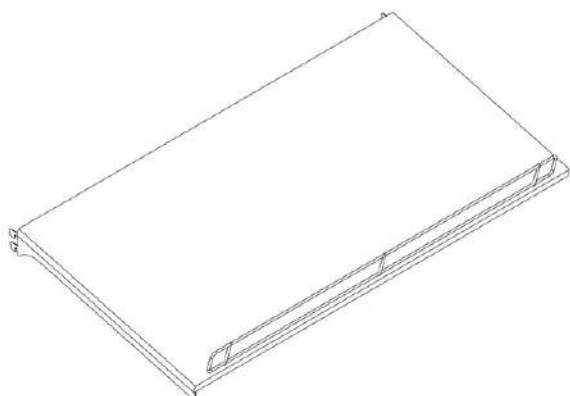
S25 WOODEN GRILLED SHELF

Depth (mm)
300-400-500

Length (mm)
700-900-1000

Height (mm)
50

*Use 2 pieces S25 wooden shelf bracket for each



S25 WOODEN SHELF WITH HOLE FRONT GRID

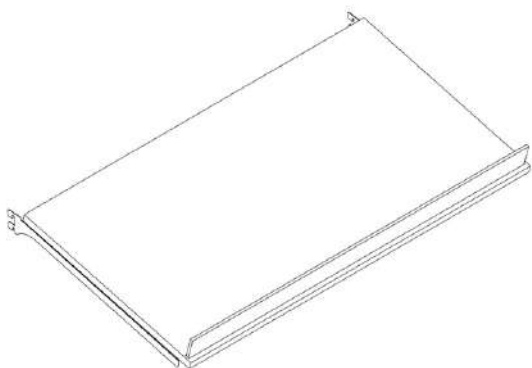
Depth (mm)
300-400-500

Length (mm)
700-900-1000

*Use 2 pieces S25 wooden shelf bracket for each

*Use 1 pieces wire front grid

KIOS PARTS & ACCESSORIES



S25 WOODEN SHELF WITH CHANNEL PLEXI

Depth (mm)

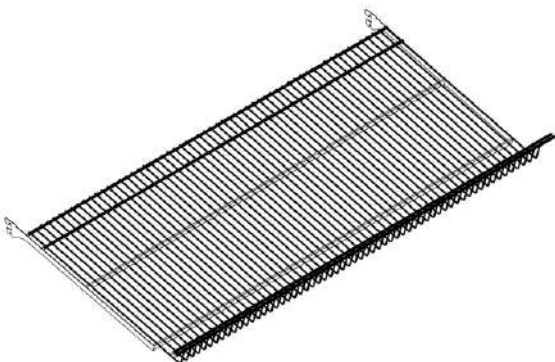
300-400-500

Length (mm)

700-900-1000

*Use 2 pieces S25 wooden shelf bracket for each

*Use 1 pieces plexi front set



S25 WIRE SHELF SET

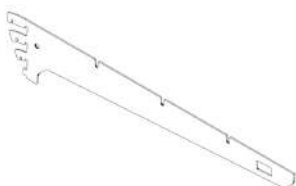
Depth (mm)

300-400-500

Length (mm)

700-900-1000

*Included brackets



S25 METAL SHELF BRACKET

Depth (mm)

300 - 400 - 500

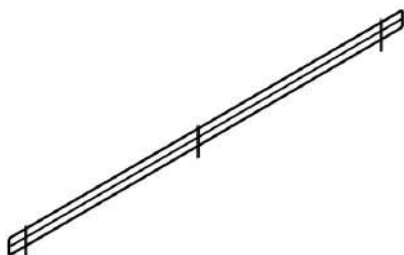


S25 WOODEN SHELF BRACKET

Depth (mm)

300 - 400 - 500

*Use 1 right + 1 Left for each wooden shelf



WOODEN SHELF WIRE FRONT GRID

Height (mm)

50

Length (mm)

700-900-1000

KIOS PARTS & ACCESSORIES



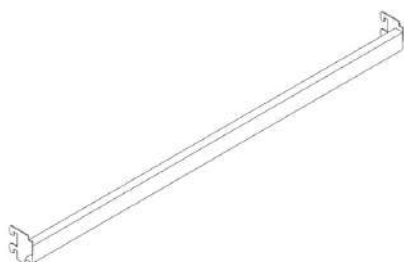
WOODEN SHELF PLEXI FRONT GRID

Height (mm)

50

Length (mm)

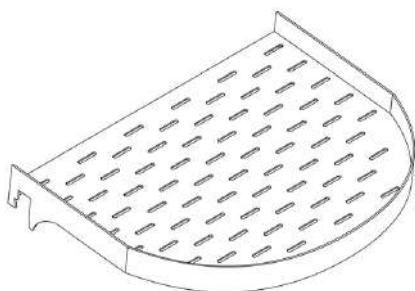
700-900-1000



S25 ACCESSORY HOLDER 15*30

Length (mm)

700-900-1000



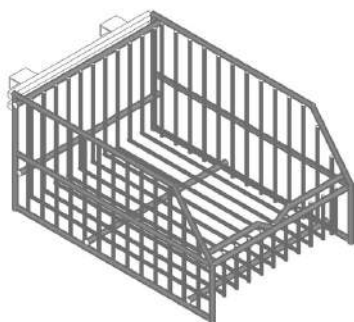
METAL ROUND SHELF (ATG)

Length (mm)

300-400

Depth (mm)

250-300



WIRE BASKET (ATG)

Length (mm)

300

Depth (mm)

300-400

Height (mm)

200



S25 WIRE BASKET (DG)

Length (mm)

500 - 700 - 900 - 1000

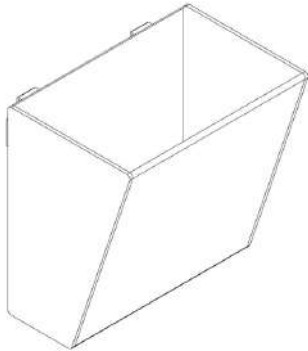
Depth (mm)

300 - 400

Height (mm)

200

KIOS PARTS & ACCESSORIES



PLEXI BAGUETTE SHELF (ATG)

Height (mm)

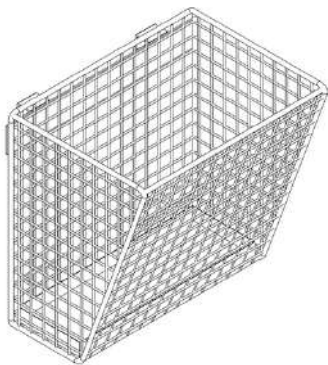
300

Depth (mm)

200

Length (mm)

300



WIRE BAGUETTE SHELF (ATG)

Height (mm)

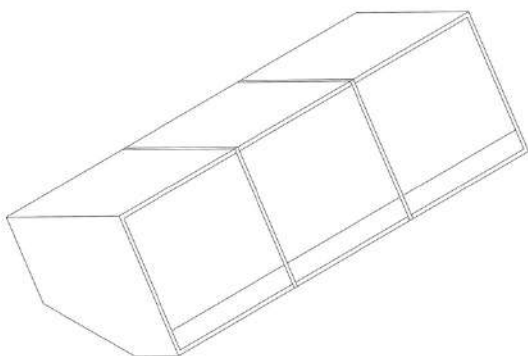
300

Depth (mm)

200

Length (mm)

300



BAKERY WOODEN BASE STAND

Height (mm)

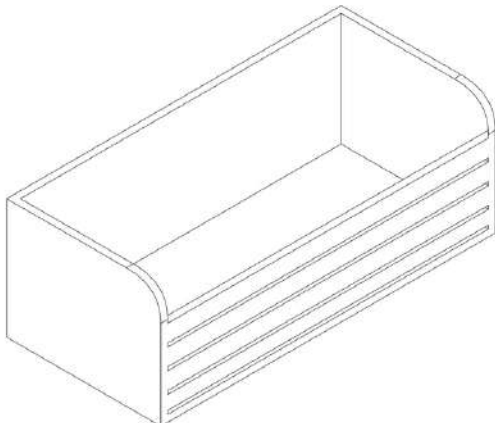
400

Depth (mm)

300 - 400 - 500

Length (mm)

700 - 900 - 1000



BAKERY WOODEN BASE BASKET

Height (mm)

450

Depth (mm)

300 - 400 - 500

Length (mm)

700 - 900 - 1000

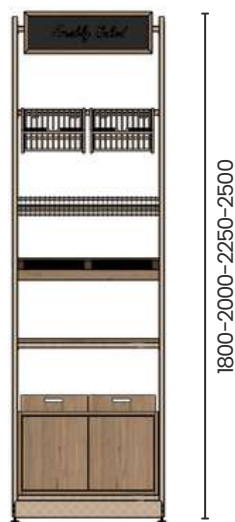
DYNAMIC DISPLAY SYSTEM



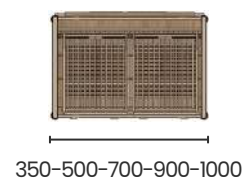
Unit Depth Options



Unit Height Options



Unit Length Options



DYNAMIC PARTS & ACCESSORIES



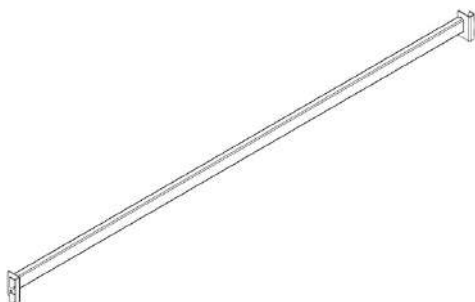
DYNAMIC FRAME

Height (mm)

2500 - 2250 - 2000 - 1800

Depth (mm)

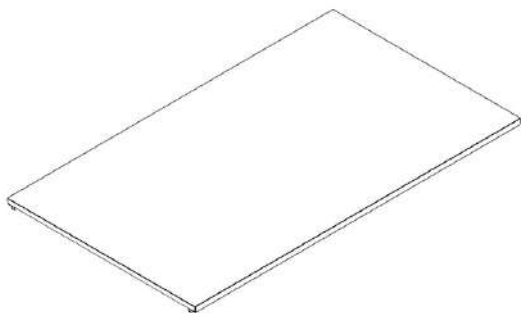
370 - 470 - 570



DYNAMIC BEAM 15*25

Length (mm)

350 - 500 - 700 - 900 - 1000



DYNAMIC METAL BASE SHELF FOR BEAM

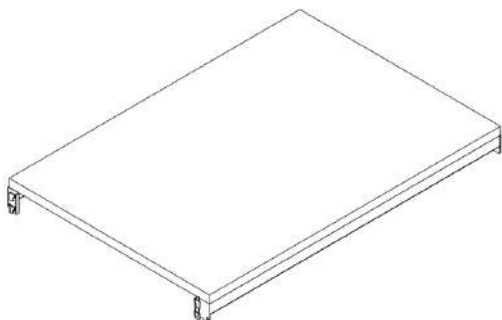
Length (mm)

320 - 470 - 670 - 870 - 970

Depth (mm)

370 - 470 - 570

*Use 2 pieces Dynamic beam



DYNAMIC WOODN BASE SHELF FOR BEAM

Length (mm)

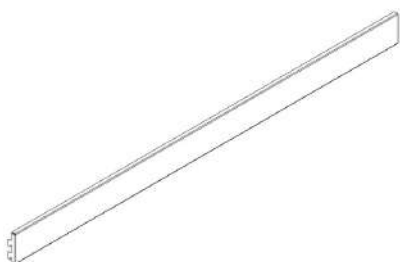
320 - 470 - 670 - 870 - 970

Depth (mm)

370 - 470 - 570

*Use 2 pieces Dynamic beam

DYNAMIC PARTS & ACCESSORIES



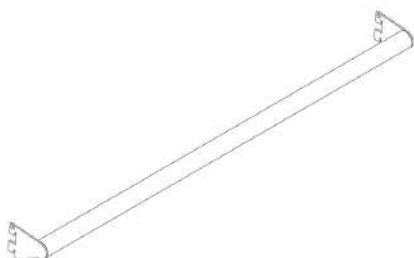
DYNAMIC PLINTH

Length (mm)

350 - 500 - 700 - 900 - 1000

Height (mm)

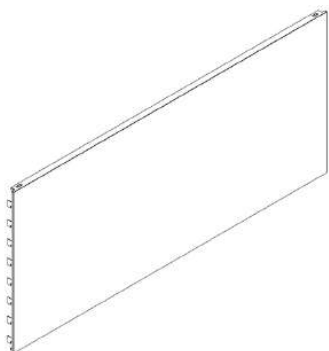
110



DYNAMIC BARRIER

Length (mm)

350 - 500 - 700 - 900 - 1000



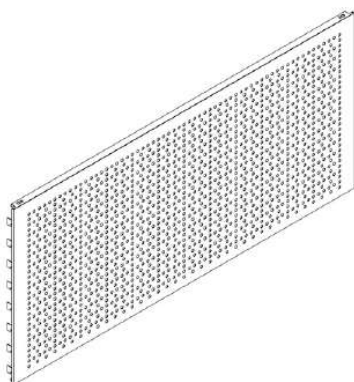
S25 BACK PANEL

Depth (mm)

300-400-500

Length (mm)

500-700-900-1000



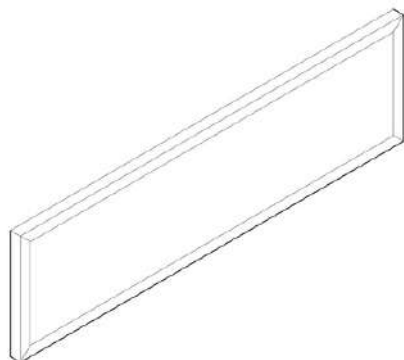
S25 PERFORATED BACK PANEL

Depth (mm)

300-400-500

Length (mm)

500-700-900-1000



BLACK BOARD CANOPY (ATG)

Length (mm)

460 - 660 - 860 - 960

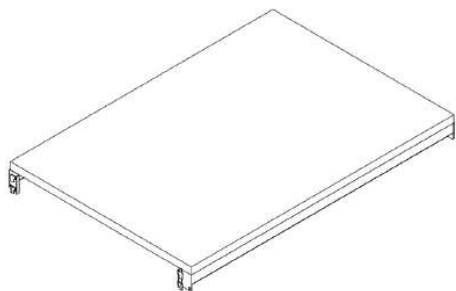
Depth (mm)

20

Height (mm)

200

DYNAMIC PARTS & ACCESSORIES



DYNAMIC WOODN SHELF FOR BEAM

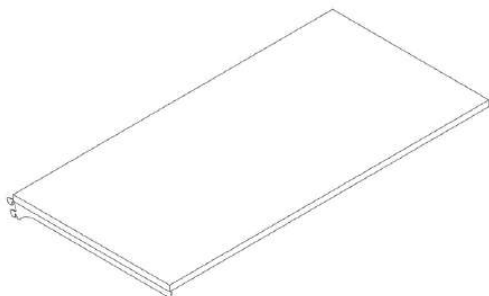
Length (mm)

320 - 470 - 670 - 870 - 970

Depth (mm)

370 - 470 - 570

*Use 2 pieces Dynamic beam



S25 WOODEN SHELF

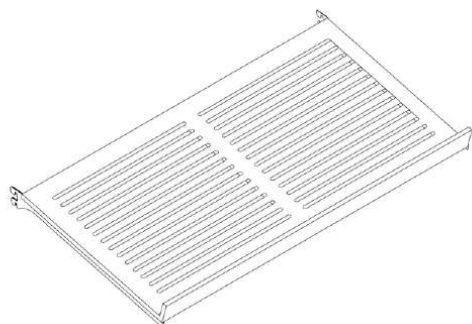
Depth (mm)

300-400-500

Length (mm)

500-700-900-1000

*Use 2 pieces S25 wooden shelf bracket for each



S25 WOODEN GRILLED SHELF

Depth (mm)

300-400-500

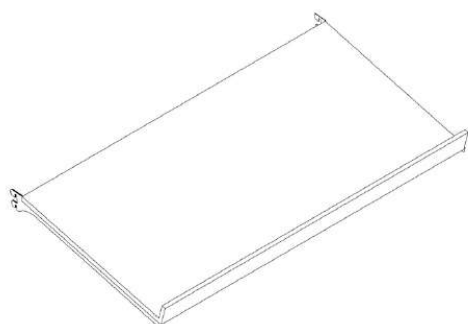
Length (mm)

500-700-900-1000

Height (mm)

50

*Use 2 pieces S25 wooden shelf bracket for each



S25 WOODEN FRINGED SHELF

Depth (mm)

300-400-500

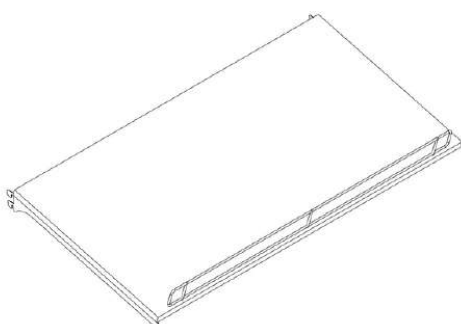
Length (mm)

500-700-900-1000

Height (mm)

50

*Use 2 pieces S25 wooden shelf bracket for each



S25 WOODEN SHELF WITH HOLE FRONT GRID

Depth (mm)

300-400-500

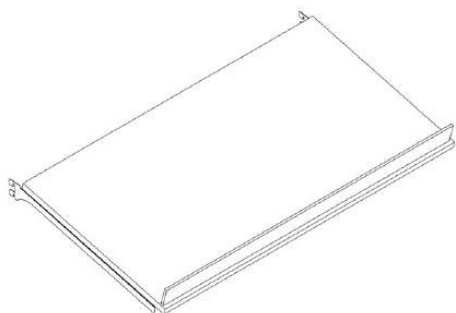
Length (mm)

500-700-900-1000

*Use 2 pieces S25 wooden shelf bracket for each

*Use 1 pieces S25 front grid

DYNAMIC PARTS & ACCESSORIES



S25 WOODEN SHELF WITH CHANNEL PLEXI

Depth (mm)

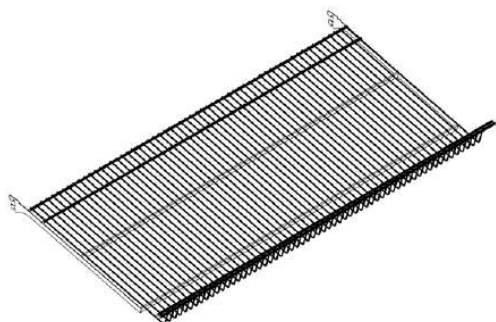
300-400-500

Length (mm)

500-700-900-1000

*Use 2 pieces S25 wooden shelf bracket for each

*Use 1 pieces plexi front set



S25 WIRE SHELF SET

Depth (mm)

300-400-500

Length (mm)

700-900-1000

*Included brackets



S25 METAL SHELF BRACKET

Depth (mm)

300 - 400 - 500

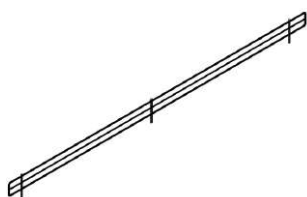


S25 WOODEN SHELF BRACKET

Depth (mm)

300 - 400 - 500

*Use 1 right + 1 Left for each



WOODEN SHELF WIRE FRONT GRID

Height (mm)

50

Length (mm)

500 - 700 - 900 - 1000



WOODEN SHELF PLEXI FRONT GRID

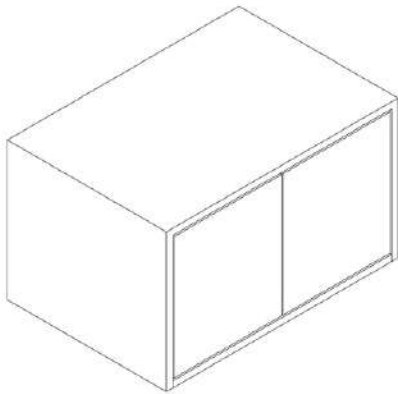
Height (mm)

50

Length (mm)

500 - 700 - 900 - 1000

DYNAMIC PARTS & ACCESSORIES

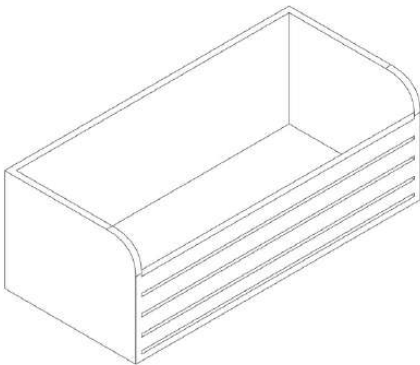


DYNAMIC WOODEN BASE CABINET

Depth (mm)
370 - 470 - 570

Length (mm)
470 - 670 - 870 - 970

Height (mm)
450

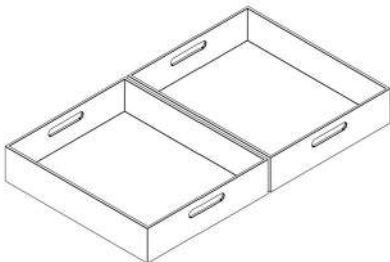


DYNAMIC WOODEN BASE BASKET

Depth (mm)
370 - 470 - 570

Length (mm)
470 - 670 - 870 - 970

Height (mm)
450

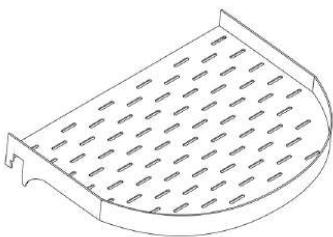


BAKERY WOODEN DISPLAY BOX

Height (mm)
100 - 150

Depth (mm)
300 - 400

Length (mm)
400 - 500 - 600



METAL ROUND SHELF (ATG)

Length (mm)
300-400

Depth (mm)
250-300



WIRE BASKET (ATG)

Length (mm)
300

Depth (mm)
300-400

Height (mm)
200

WIRE HOOKS (SINGLE)



WIRE HOOK SINGLE (ATG)

Depth (mm)
150-200-250-300



WIRE HOOK SINGLE WITH LABEL (ATG)

Depth (mm)
150-200-250-300



WIRE HOOK SINGLE (DSG)

Depth (mm)
150-200-250-300



WIRE HOOK SINGLE WITH LABEL (DSG)

Depth (mm)
150-200-250-300



WIRE HOOK SINGLE (KPG)

Depth (mm)
150-200-250-300



WIRE HOOK SINGLE WITH LABEL (KPG)

Depth (mm)
150-200-250-300

WIRE HOOKS (DOUBLE)



WIRE HOOK DOUBLE (ATG)

Depth (mm)

150-200-250-300



WIRE HOOK DOUBLE WITH LABEL (ATG)

Depth (mm)

150-200-250-300



WIRE HOOK DOUBLE (DSG)

Depth (mm)

150-200-250-300



WIRE HOOK DOUBLE WITH LABEL (DSG)

Depth (mm)

150-200-250-300



WIRE HOOK DOUBLE (KPG)

Depth (mm)

150-200-250-300



WIRE HOOK DOUBLE WITH LABEL (KPG)

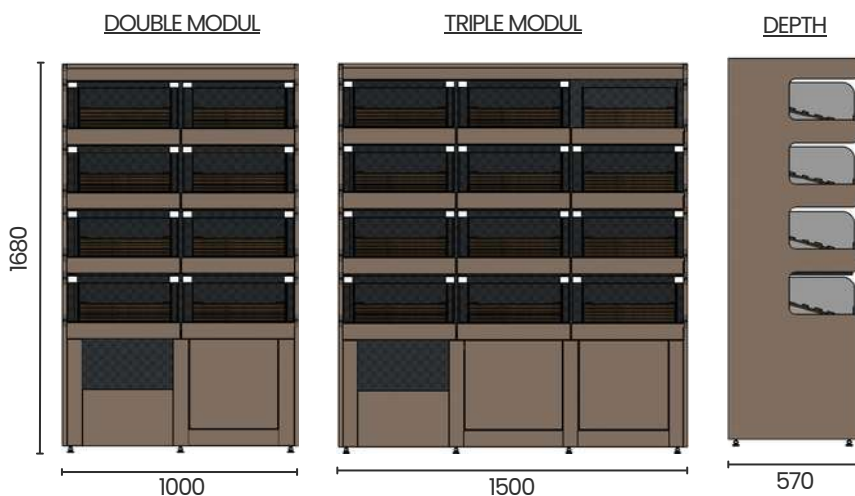
Depth (mm)

150-200-250-300

PANERA BAKERY DISPENCER



PANEA bakery dispenser is a free standing display that is used as a self-service stand for baked goods. Tempered glass lids provide product visibility and hygiene. Drawers with telescopic rails and inclined base offer ease of use.



PANERA BAKERY DISPENSER



PANERA DOUBLE BAKERY DISPENSER

Height (mm)

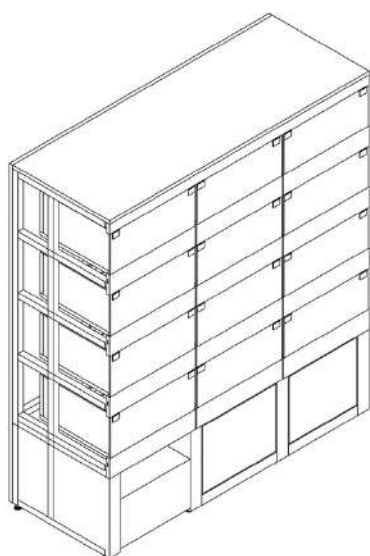
1680

Depth (mm)

570

Length (mm)

1000



PANERA TRIPLE BAKERY DISPENSER

Height (mm)

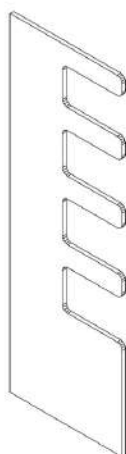
1680

Depth (mm)

570

Length (mm)

1500



PANERA BAKERY DISPENSER SIDE PANEL

Height (mm)

1680

Depth (mm)

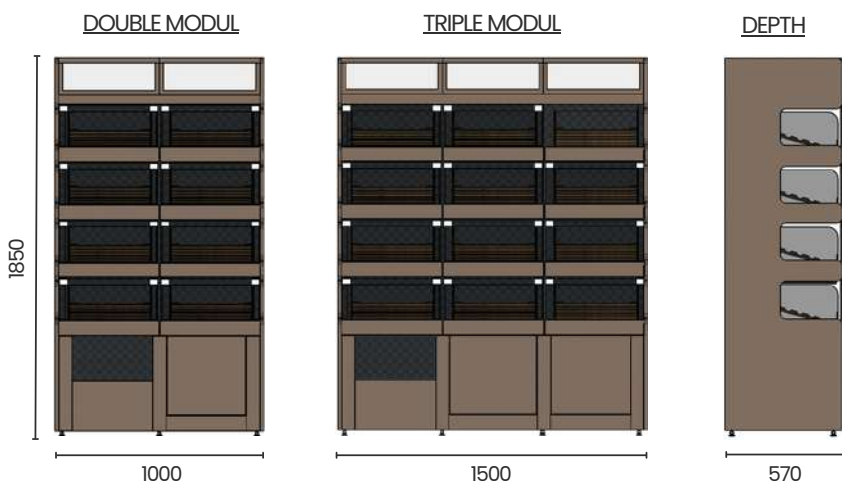
570

PANERA BAKERY DISPENCER

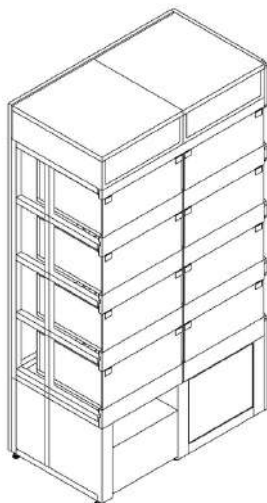
WITH BANNER



You can create module groups of any length you want by placing the Panera Bakery dispenser side by side in double and triple modules.



PANERA BAKERY DISPENSER WITH BANNER

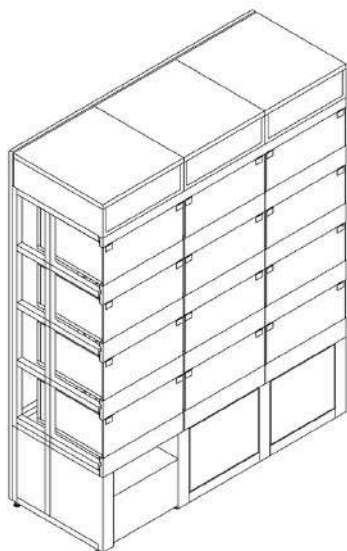


PANERA DOUBLE BAKERY DISPENSER - WITH BANNER

Height (mm)
1850

Depth (mm)
570

Length (mm)
1000

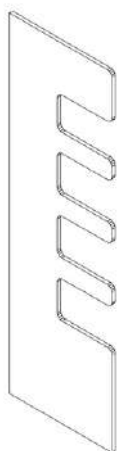


PANERA TRIPLE BAKERY DISPENSER - WITH BANNER

Height (mm)
1850

Depth (mm)
570

Length (mm)
1500



PANERA BAKERY DISPENSER WITH BANNER SIDE PANEL

Height (mm)
1680

Depth (mm)
570

S-GON TABLE

PARTS

S-GON MIDI TABLE 850*650*1200

METAL SHELF 200*650

WOODEN SHELF SET 200*1200

WOODEN CASE 100*300*500

WOODEN CASE 150*300*500

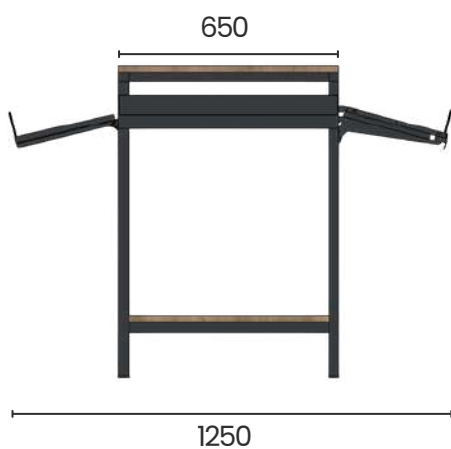


Wooden Case

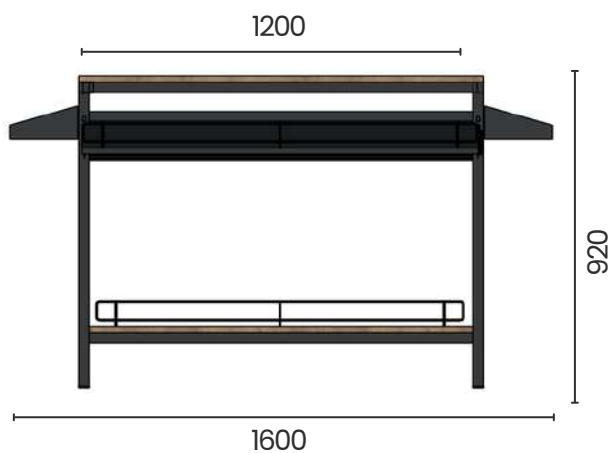
100 x 300 x 500

150 x 300 x 500

Unit Depth Options



Unit Height / Length Options



Z-GON TABLE

PARTS

Z-GON MIDI TABLE 850*650*1200

Z-GON MINI TABLE 550*500*950

SIGNACE PROFILE 600*1200

METAL SIDE SHELF ATG 200*650

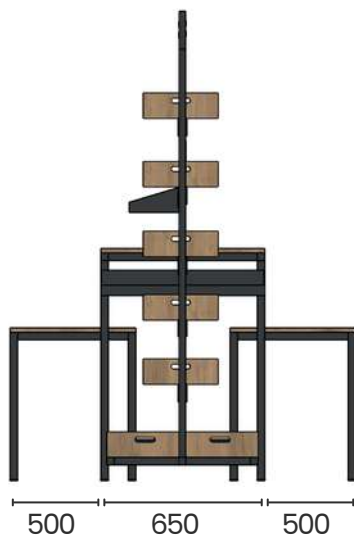
METAL FRONT SHELF 200*1200

SELF STAND UNIT 1800*600*560

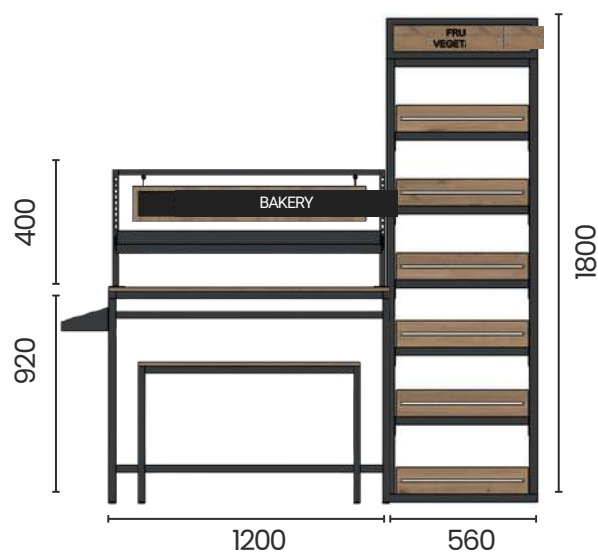
WOODEN CASE 100*300*500



Unit Depth Options



Unit Height / Length Options



Wooden Case

100 x 300 x 500
150 x 300 x 500

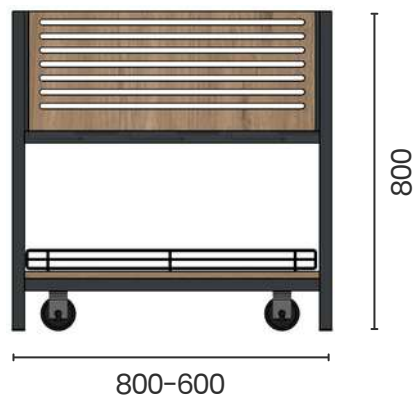
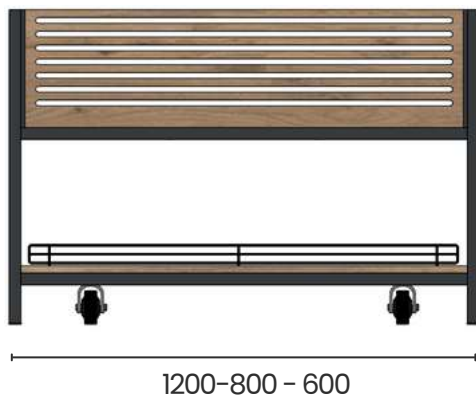


BAKERY DISPLAY BASKET



Basket Length Options

Basket Height / Depth Options







+90 (224) 441 66 61

sova@sovaretail.com

Üçevler Mah. Ertuğrul Cad.
No:89A, Nilüfer, 16120
Bursa, Türkiye

SOVA