



DYNAMIC DISPLAY

Technical Catalogue

2024



With Dynamic, you can create flexible designs for your store and organize your product display as you wish. Different accessory options give you unlimited flexibility in product display.

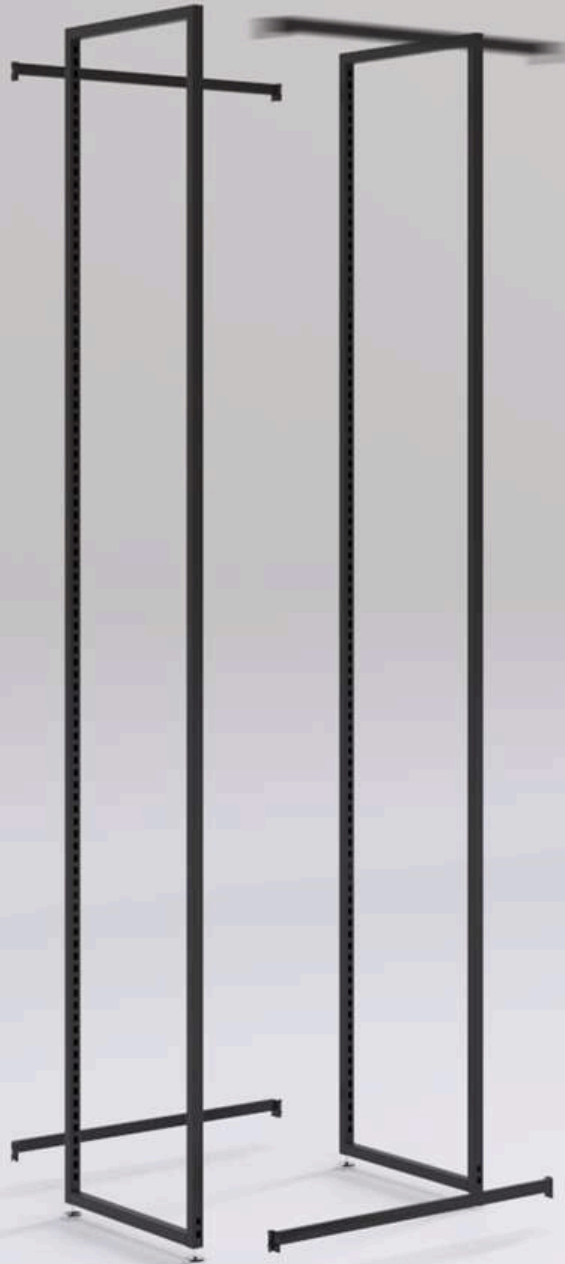
Cabinet accessories compatible with Dynamic help you to keep stock of your displayed products.

You can strengthen your display and highlight your products by using different types of shelf options in the dynamic system. Offering different color options, Dynamic adapts to your store concept.

Sign different and extra ordinary food market designs with Dynamic.

C
O
N
T
E
N
T

| | |
|---------------------------|-------|
| Dynamic Dimensions | 01 |
| Dynamic Frame | 02 |
| Beams | 03 |
| Plinth & Barrier | 04 |
| Back&Side Panels | 06-10 |
| Shelves | 11-14 |
| Bakery Accessories | 15 |
| Wine Accessories | 16-17 |
| Lighting Products | 18 |
| Bracket For Shelves | 19 |
| Cabinets | 20-23 |
| Canopy & Lightboxes | 24-27 |
| Hangers | 28-31 |
| Wire Hooks | 32-33 |
| Accessories | 34-35 |
| Discover | 36-50 |
| Material Options | 51 |



SIMPLE AS THAT

EASY ASSEMBLY

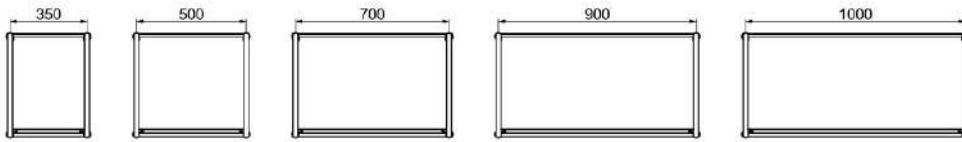




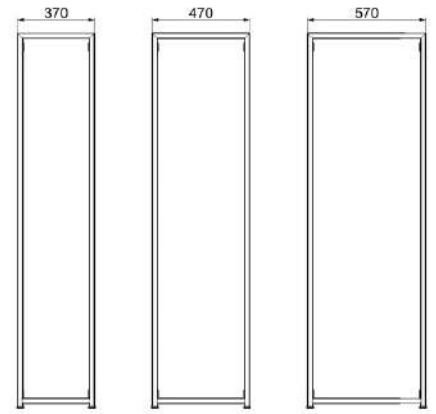
NO BOLT

When installing the dynamic system, there is no need to use bolts. All components are notched and interlocking.

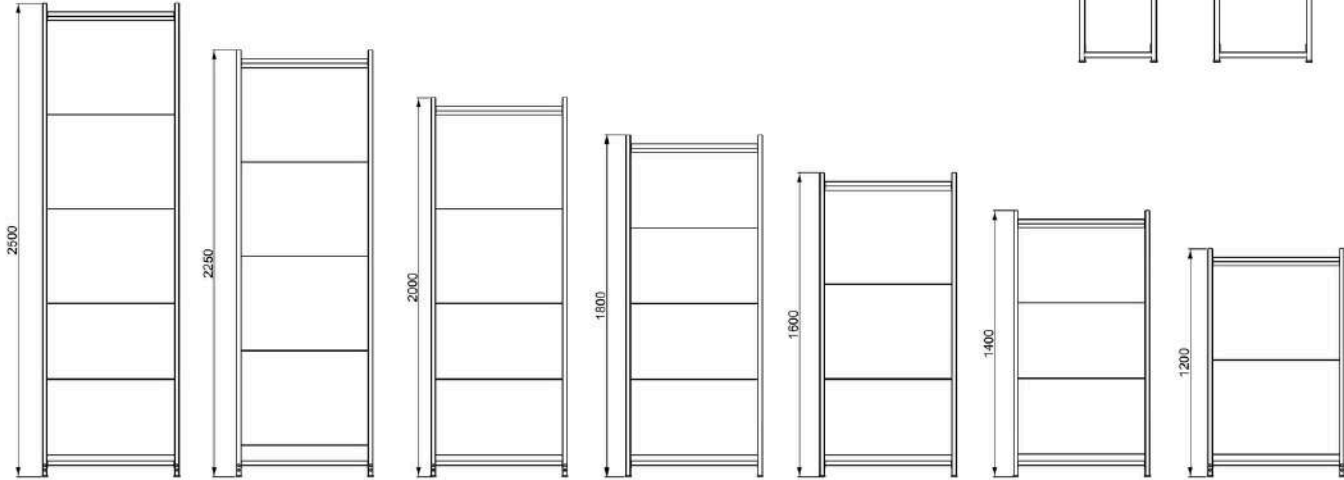
Unit Length Options

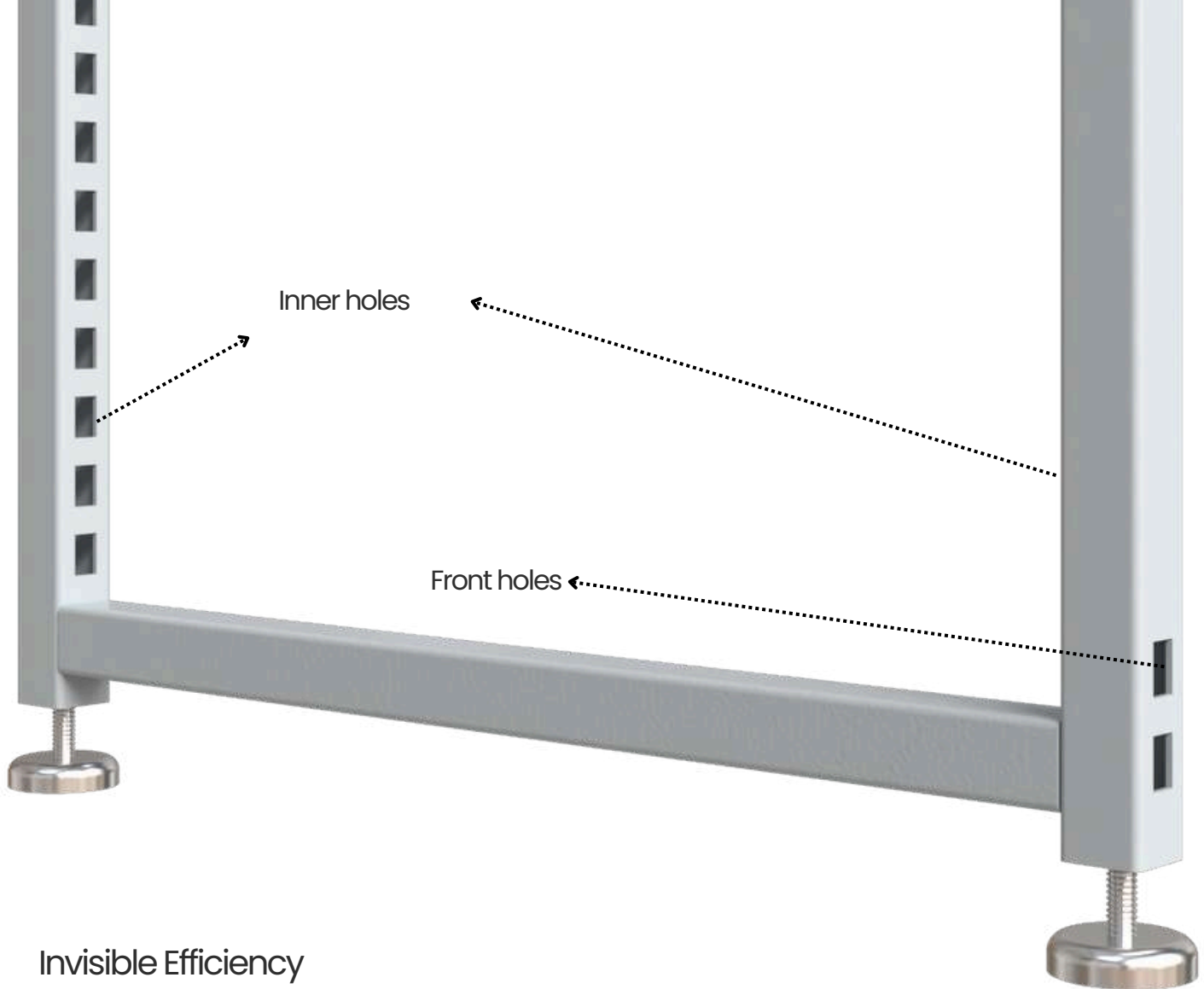


Unit Depth Options



Unit Height Options





Invisible Efficiency

Dynamic frame is the first main part of the Dynamic system. The inner holes in both profiles carry the beams and all accessories of the system. Two front holes are used for plinth and barrier. Back holes used for decorative panels (mesh). Profile's front surfaces are designed to be smooth and invisible holes.

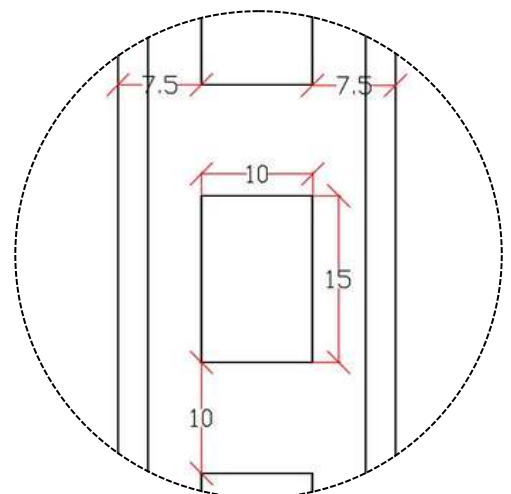
DYNAMIC FRAME

Height (mm)

1200 - 1400 - 1600 - 1800 - 2000 - 2250 - 2500

Depth (mm)

370 - 470 - 570



25 PITCH

Dynamic Beams

15*25 Profile

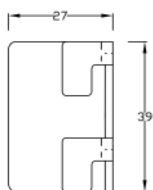
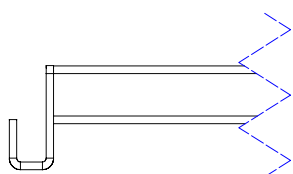
All beams are fixed to the frame's inner holes



DYNAMIC STANDART BEAM

Length (mm)

350 - 500 - 700 - 900 - 1000

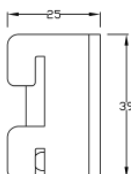
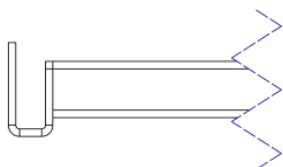


Standard beam is used to lock the system. Many accessories in the Dynamic system are attached to this beam.

DYNAMIC BASE SHELF BEAM

Length (mm)

350 - 500 - 700 - 900 - 1000

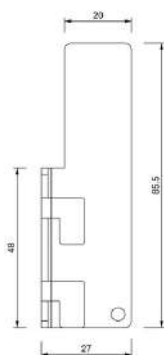
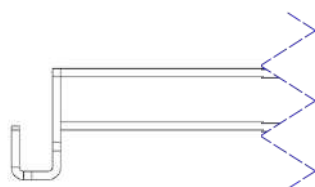


It is used for wooden base shelf with a podium in front.

DYNAMIC TOP SHELF BEAM

Length (mm)

350 - 500 - 700 - 900 - 1000

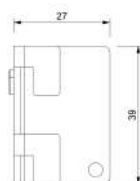
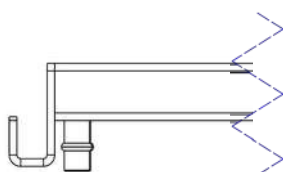


It is used for wooden top shelf .

DYNAMIC GLASS SHELF BEAM

Length (mm)

350 - 500 - 700 - 900 - 1000



Used for glass shelves



Used to cover the lower plinth decoratively. It is an optional part.

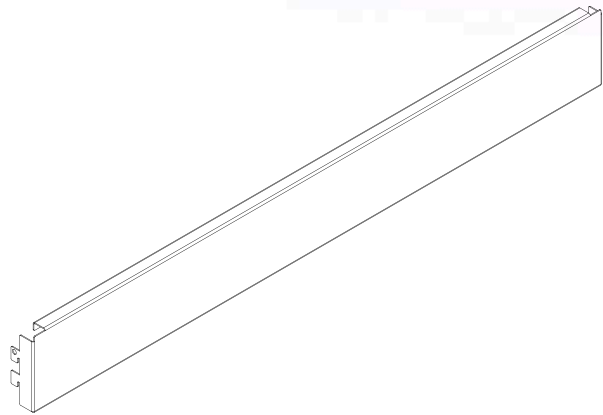
1. DYNAMIC PLINTH

Height (mm)

110

Length (mm)

350 - 500 - 700 - 900 - 1000

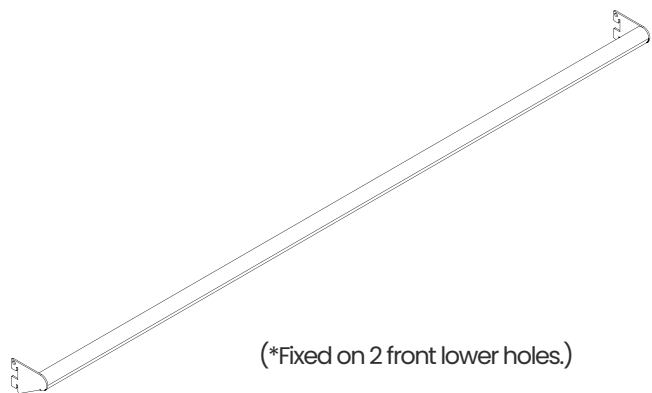


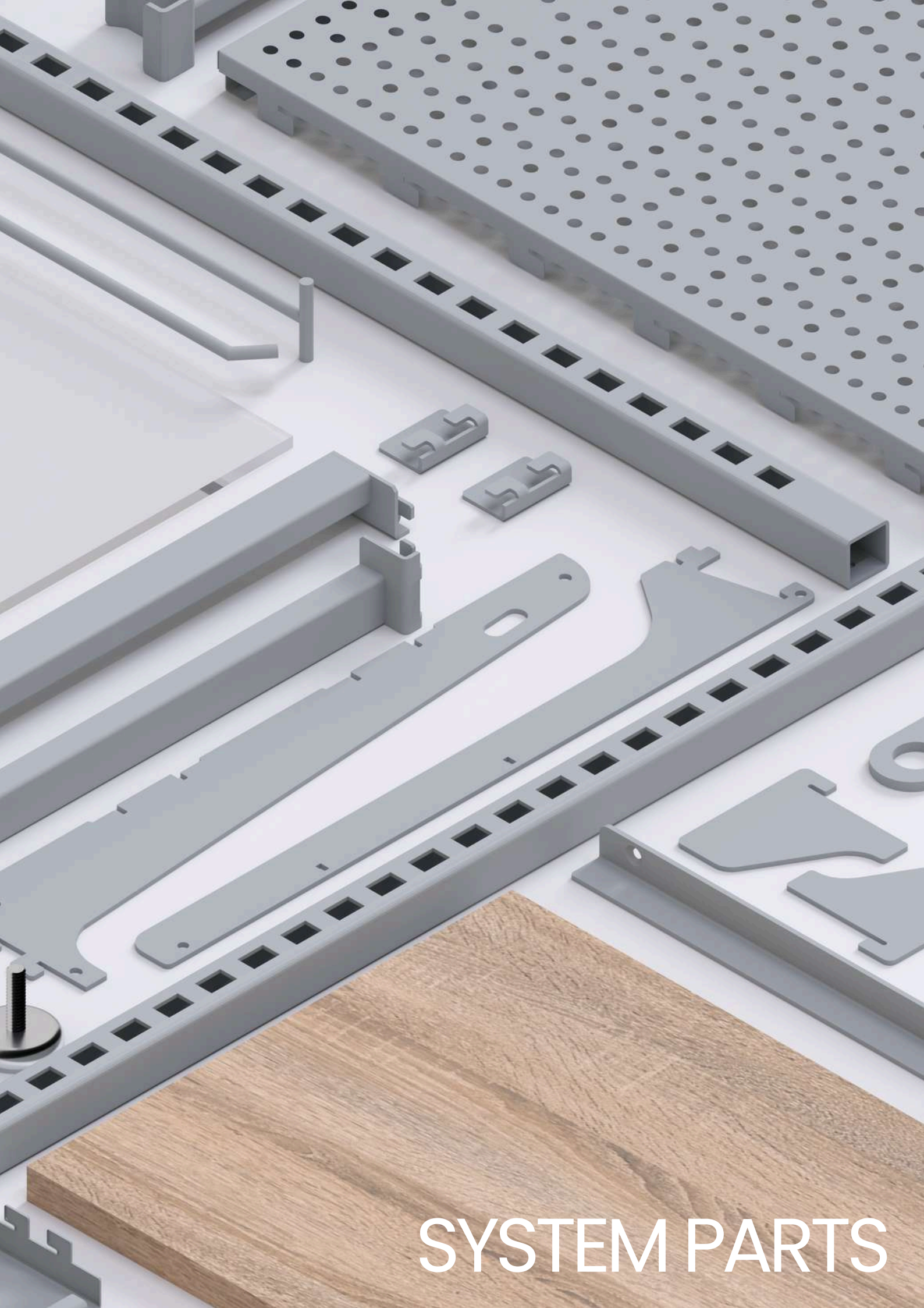
2 DYNAMIC BARRIER

Length (mm)

350 - 500 - 700 - 900 - 1000

Optional part for protecting the system from external impacts by being attached to the front of the bottom base





SYSTEM PARTS

METAL PANELS

1. DYNAMIC METAL BACK PANEL

Height (mm)

300 - 400 - 500

Length (mm)

500 - 700 - 900 - 1000

2. DYNAMIC PERFORATED BACK PANEL

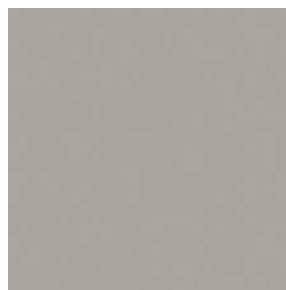
Height (mm)

400 - 500

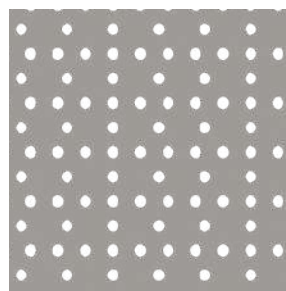
Depth (mm)

500 - 700 - 900 - 1000

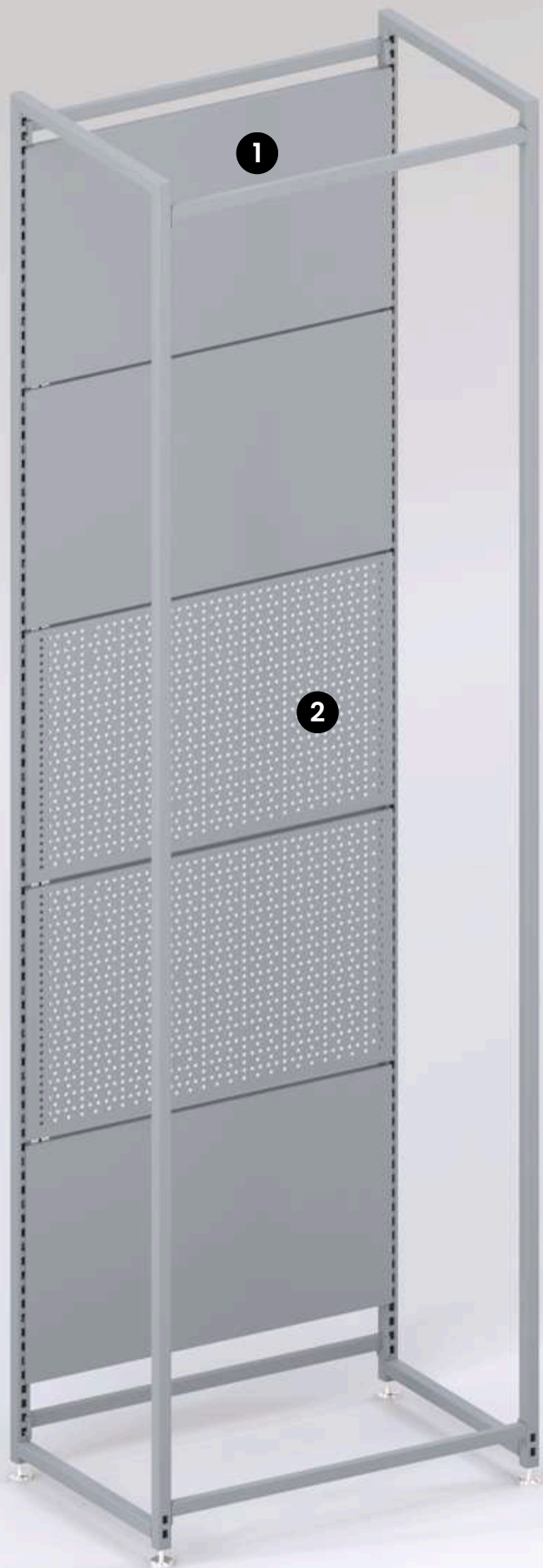
MATERIALS



MP 01



MP 02





MESH PANELS

1. DYNAMIC MESH BACK PANEL

Height (mm)

1200 - 1400 - 1600 - 1800 - 2000 - 2250 - 2500

Length (mm)

350 - 500 - 700 - 900 - 1000

2. DYNAMIC MESH SIDE PANEL

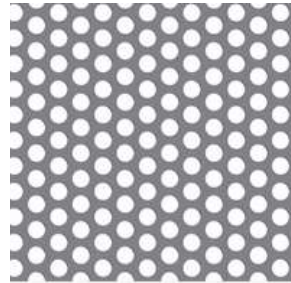
Height (mm)

1200 - 1400 - 1600 - 1800 - 2000 - 2250 - 2500

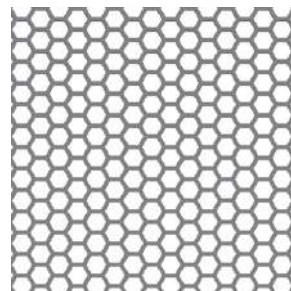
Depth (mm)

370 - 470 - 570

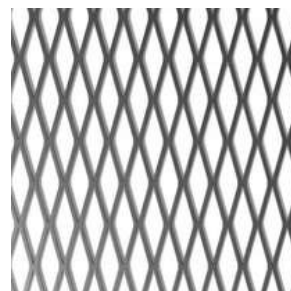
MATERIALS



MP 03



MP 04



MP 05



WOODEN PANELS

1. DYNAMIC WOODEN BACK PANEL

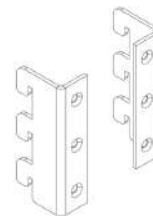
Height (mm)

1200 - 1400 - 1600 - 1800 - 2000 - 2250 - 2500

Length (mm)

350 - 500 - 700 - 900 - 1000

- Wood panels are mounted with the board to tab.



- (h: 1200-1400-1600) 2 right and 2 left are used.
- (h: 1800-2000-2250-2500) 3 right and 3 left are used.

2. DYNAMIC WOODEN SIDE PANEL

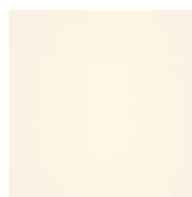
Height (mm)

1200 - 1400 - 1600 - 1800 - 2000 - 2250 - 2500

Depth (mm)

370 - 470 - 570

MATERIALS



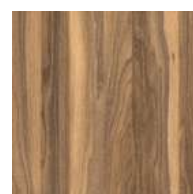
WP 01



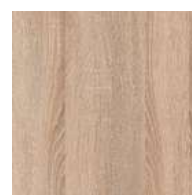
WP 05



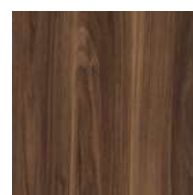
WP 02



WP 06



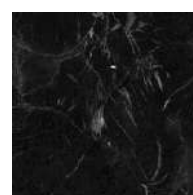
WP 03



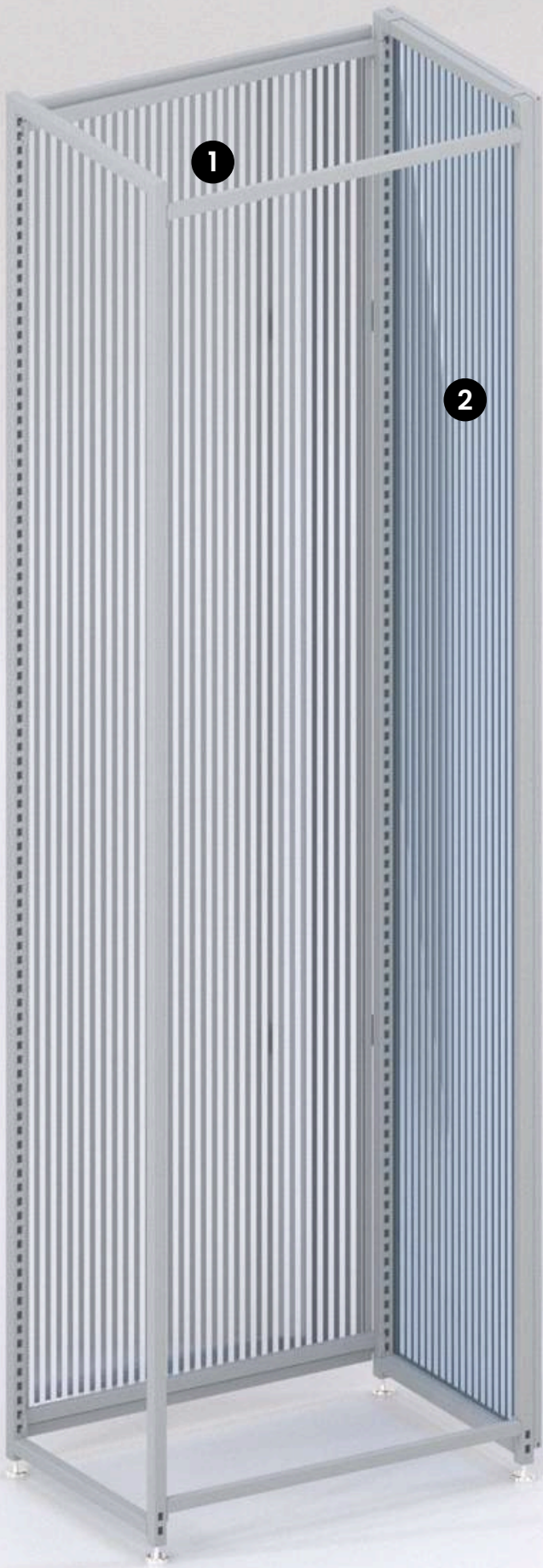
WP 07



WP 04



WP 08



POLYCARBONATE PANELS

1. DYNAMIC POLYCARBONATE BACK PANEL

Height (mm)

1200 - 1400 - 1600 - 1800 - 2000 - 2250 - 2500

Length (mm)

350 - 500 - 700 - 900 - 1000

2. DYNAMIC POLYCARBONATE SIDE PANEL

Height (mm)

1200 - 1400 - 1600 - 1800 - 2000 - 2250 - 2500

Depth (mm)

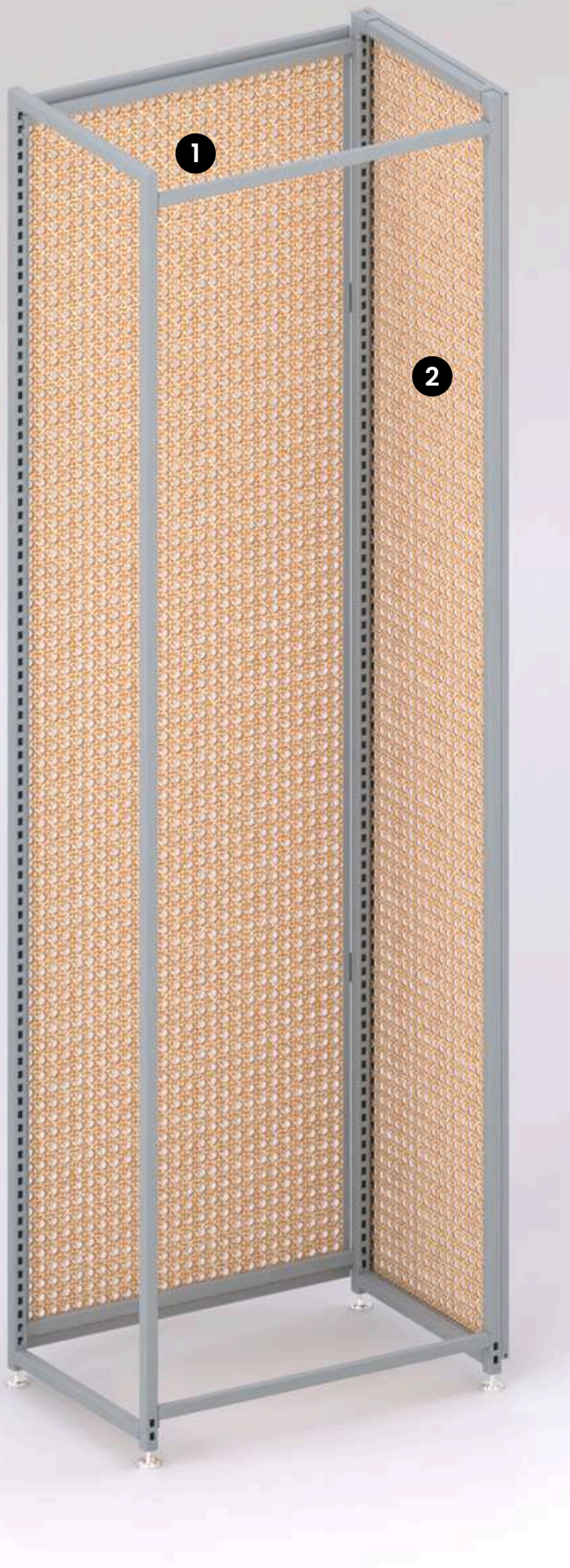
370 - 470 - 570

MATERIALS



PP 01





RATTAN PANELS

1. DYNAMIC RATTAN BACK PANEL

Height (mm)

1200 - 1400 - 1600 - 1800 - 2000 - 2250 - 2500

Length (mm)

350 - 500 - 700 - 900 - 1000

2. DYNAMIC RATTAN SIDE PANEL

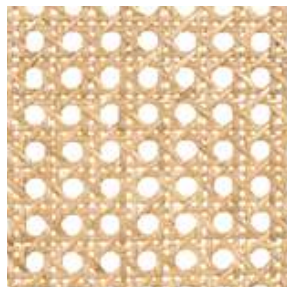
Height (mm)

1200 - 1400 - 1600 - 1800 - 2000 - 2250 - 2500

Depth (mm)

370 - 470 - 570

MATERIALS



RP 01

SHELVES

1. DYNAMIC WOODEN TOP SHELF FOR BEAM

Length (mm)

318 - 468 - 668 - 868 - 968

Depth (mm)

370 - 470 - 570

2. DYNAMIC WOODEN FRINGED SHELF FOR BEAM

Length (mm)

320 - 470 - 635 - 670 - 870 - 970

Depth (mm)

370 - 470 - 570

Height (mm)

50

3. DYNAMIC WOODEN SHELF FOR BEAM

Length (mm)

320 - 470 - 670 - 870 - 970

Depth (mm)

370 - 470 - 570

4. DYNAMIC WOODEN GRILLED SHELF FOR BRACKET

Length (mm)

500 - 700 - 900 - 1000

Depth (mm)

300 - 400 - 500

Height (mm)

50

5. DYNAMIC WOODEN FRINGED SHELF FOR BRACKET

Length (mm)

500 - 700 - 900 - 1000

Depth (mm)

300 - 400 - 500

Height (mm)

50

6. DYNAMIC WOODEN SHELF FOR BRACKET

Length (mm)

500 - 700 - 900 - 1000

Depth (mm)

300 - 400 - 500

7. DYNAMIC WOODEN BASE SHELF FOR BEAM

Length (mm)

320 - 470 - 635 - 670 - 870 - 970

Depth (mm)

370 - 470 - 570

Height (mm)

100



SHELVES

1. DYNAMIC WOODEN SHELF FOR SHEET

Length (mm)

500 - 700 - 900 - 1000

Depth (mm)

300 - 400 - 500

**Just used with 4 wooden shelf sheet (2 pcs right+ 2 pcs left part.)*

2. DYNAMIC METAL SHELF FOR BRACKET

Length (mm)

500 - 700 - 900 - 1000

Depth (mm)

300 - 400 - 500

3. DYNAMIC WIRE SHELF FOR BRACKET

Length (mm)

500 - 700 - 900 - 1000

Depth (mm)

300 - 400 - 500

4. DYNAMIC FRINGED WIRE SHELF (DG)

Length (mm)

500 - 700 - 900 - 1000

Depth (mm)

300 - 400 - 500

5. METAL SHELF (DG)

Length (mm)

500 - 700 - 900 - 1000

Depth (mm)

300 - 400 - 500

**Integrated bracket*

6. FRINGED METAL SHELF (DG)

Length (mm)

500 - 700 - 900 - 1000

Depth (mm)

300 - 400 - 500

**Integrated bracket*

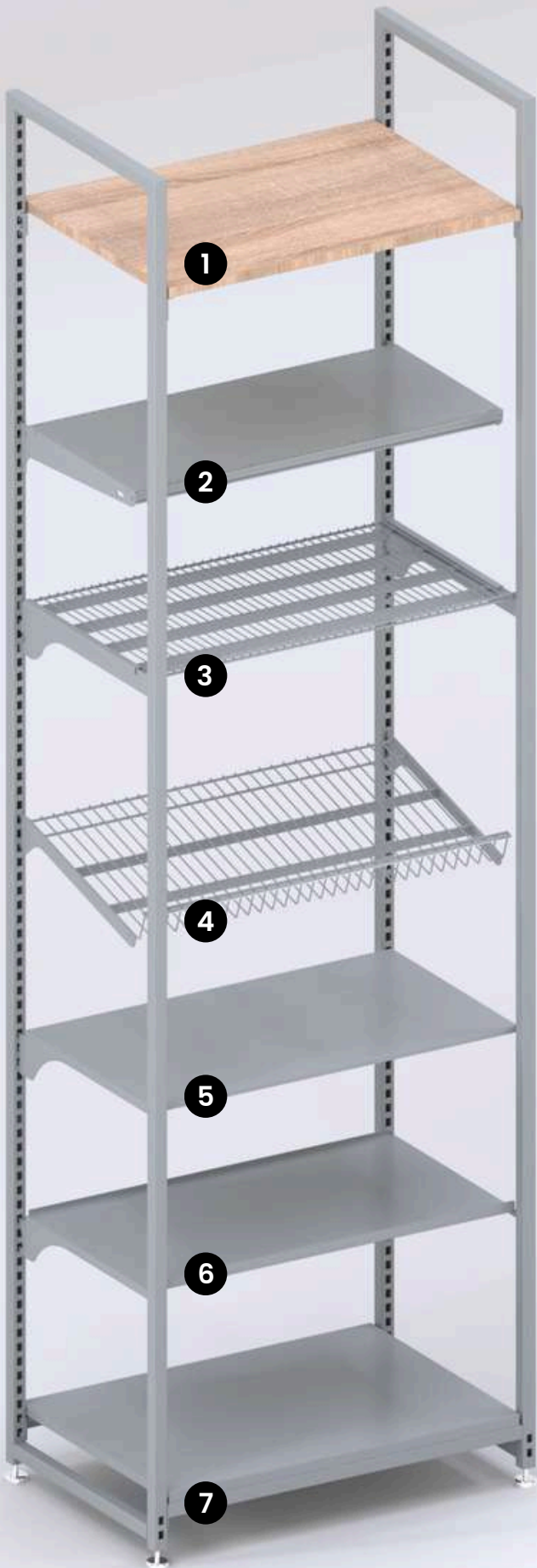
7. DYNAMIC METAL BASE SHELF FOR BEAM

Length (mm)

320 - 470 - 635 - 670 - 870 - 970

Depth (mm)

370 - 470 - 570





SHELVES

1. DYNAMIC WOODEN SHELF (DG)

Length (mm)

500 - 700 - 900 - 1000

Depth (mm)

300 - 400 - 500

2. DYNAMIC METAL FRAMED GLASS SHELF (DG)

Length (mm)

320 - 470 - 635 - 670 - 870 - 970

Depth (mm)

370 - 470 - 570

**With LED Light*

3. DYNAMIC MARBLE PATTERN SHELF (DG)

Length (mm)

320 - 470 - 635 - 670 - 870 - 970

Depth (mm)

370 - 470 - 570

4. DYNAMIC WOODEN FRAMED GLASS SHELF FOR BRACKET

Length (mm)

500 - 700 - 900 - 1000

Depth (mm)

300 - 400 - 500

**With LED Light*

5. DYNAMIC WOODEN FRAMED MESH SHELF FOR BRACKET

Length (mm)

500 - 700 - 900 - 1000

Depth (mm)

300 - 400 - 500

6. DYNAMIC WOODEN FRAMED RATTAN SHELF FOR BRACKET

Length (mm)

500 - 700 - 900 - 1000

Depth (mm)

300 - 400 - 500

SHELVES

1. DYNAMIC PLEXI SHELF FOR BEAM

Length (mm)

320 - 470 - 635 - 670 - 870 - 970

Depth (mm)

370 - 470 - 570

2. DYNAMIC GLASS U FRAMED SHELF (DG)

Length (mm)

500 - 700 - 900 - 1000

Depth (mm)

300 - 400 - 500

3. DYNAMIC GLASS SHELF FOR BRACKET

Length (mm)

500 - 700 - 900 - 1000

Depth (mm)

370 - 470 - 570

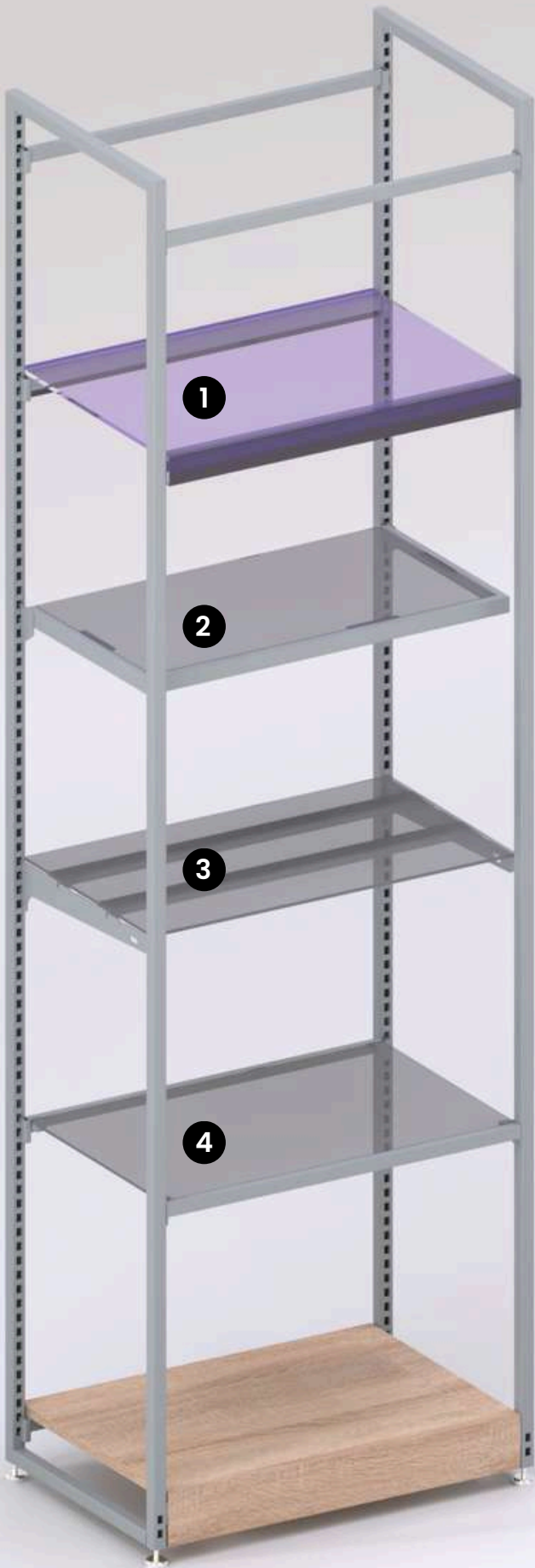
4. DYNAMIC GLASS SHELF FOR BEAM

Length (mm)

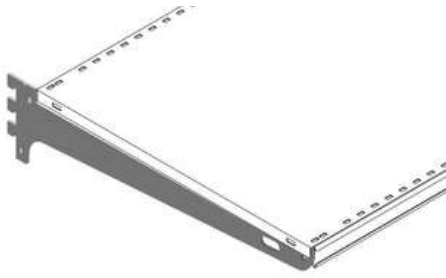
320 - 470 - 635 - 670 - 870 - 970

Depth (mm)

370 - 470 - 570



BRACKETS FOR SHELVES

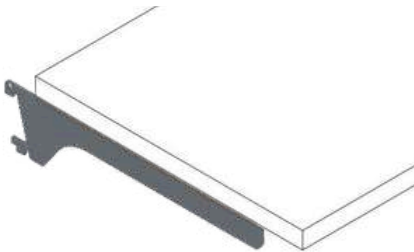


S25 SHELF BRACKET

Depth (mm)

300 - 400 - 550

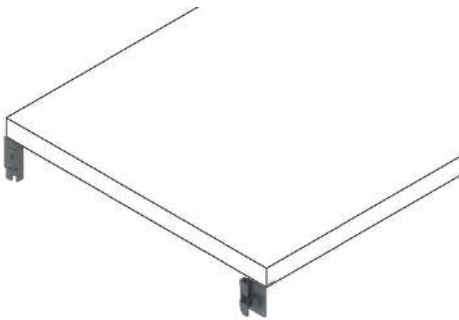
- For S25 Metal & Glass Shelves
 - For glass shelves, used together with "Bracket Connecting Bar" below
-



WOODEN SHELF BRACKET

Depth (mm)

300 - 350 - 400 - 450



WOODEN SHELF SHEET

- For Wooden Shelves
 - 2 right and 2 left are used for each shelf
-



BRACKET CONNECTING BAR

Length (mm)

500 - 700 - 900 - 1000

- For Glass Shelves
 - Used together with S25 Shelf Bracket above
-



DYNAMIC GLASS SHELF SET WITH U BRACKET

Length (mm)

500 - 700 - 900 - 1000

Depth (mm)

370 - 470 - 570

WINE ACCESSORIES

1. DYNAMIC WOODEN WIRE BOX WITH WIRE SHELF FOR BEAM

Length (mm)
670 - 870 - 970

Depth (mm)
370 - 470 - 570

Height (mm)
400

2. DYNAMIC WOODEN WIRE BOX WITH SEPARATOR FOR BEAM

Length (mm)
670 - 870 - 970

Depth (mm)
370 - 470 - 570

Height (mm)
400

3. DYNAMIC WOODEN WIRE TWIN BOX WITH SEPARATOR FOR BEAM

Length (mm)
670 - 870 - 970

Depth (mm)
370 - 470 - 570

Height (mm)
400

4. DYNAMIC WOODEN WIRE BOX FOR BEAM

Length (mm)
670 - 870 - 970

Depth (mm)
370 - 470 - 570

Height (mm)
400

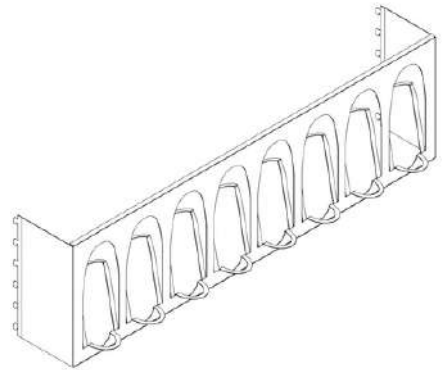


WINE ACCESSORIES

1. DYNAMIC METAL WIRE SHELF (DG)

Length (mm)
700 - 900 - 1000

Depth (mm)
200

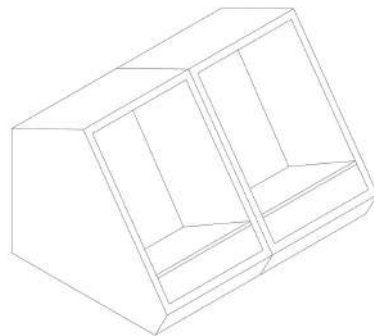


2. DYNAMIC WOODEN WIRE BASKET FOR BEAM

Length (mm)
670 - 870 - 970

Depth (mm)
370 - 470 - 570

Height (mm)
450



BAKERY ACCESSORIES

1. DYNAMIC METAL ROUND SHELF (ATG)

Length (mm)
300 - 400 - 600

Depth (mm)
250 - 300

2. DYNAMIC WIRE BASKET (ATG)

Length (mm)
300

Depth (mm)
300 - 400

Height (mm)
200

3. DYNAMIC WIRE BAGUETTE SHELF (ATG)

Length (mm)
300

Height (mm)
300

4. DYNAMIC PLEXI BAGUETTE SHELF (ATG)

Length (mm)
300

Height (mm)
300

5. DYNAMIC WIRE BASKET (DG) TYPE 1

Length (mm)
500 - 700 - 900 - 1000

Depth (mm)
300 - 400

Height (mm)
150

6. DYNAMIC WIRE BASKET (DG) TYPE 2

Length (mm)
500 - 700 - 900 - 1000

Depth (mm)
300 - 400

Height (mm)
200

7. DYNAMIC WOODEN DISPLAY BASKET

Length (mm)
300 - 400

Depth (mm)
500 - 600

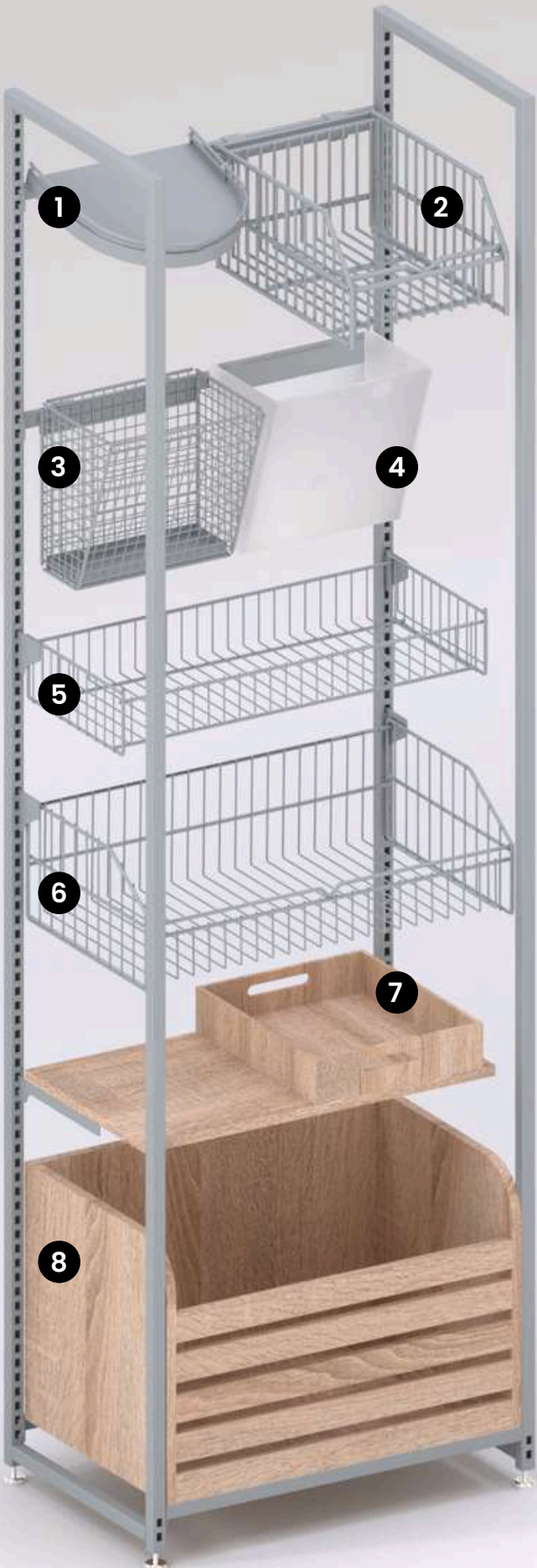
Height (mm)
80 - 100

8. DYNAMIC BAKERY WOODEN BASE BASKET FOR BEAM

Length (mm)
470 - 670 - 870 - 970

Depth (mm)
370 - 470 - 570

Height (mm)
450





LIGHTING PRODUCTS

MAGNETIC ELECTRO RAIL

Height(mm)

1000 - 1200 - 1400 - 1600 - 1800 - 2000 - 2200

Length (mm)

20

**One meter cable included.*

LED LIGHTING ALUMINUM (MAGNETIC)

Length (mm)

470 - 500 - 670 - 700 - 870 - 900 - 970 - 1000

LED LIGHTING ALUMINUM (SCREW)

Length (mm)

470 - 500 - 670 - 700 - 870 - 900 - 970 - 1000

LED LIGHTING POLYCARBON (MAGNETIC)

Length (mm)

470 - 500 - 670 - 700 - 870 - 900 - 970 - 1000

LED LIGHT POLYCARBON (SCREW)

Length (mm)

470 - 500 - 670 - 700 - 870 - 900 - 970 - 1000

**Electro rail socket is included in ECO series LED lighting.*

SOCKET & CABLE FOR LED LIGHTING TO RAIL

Depth (mm)

300 - 400 - 500

**For Plus series LED light. It is used to transfer energy from the electro rail to the LED light.*

LED CABLE FOR POWER SOURCE

Length (mm)

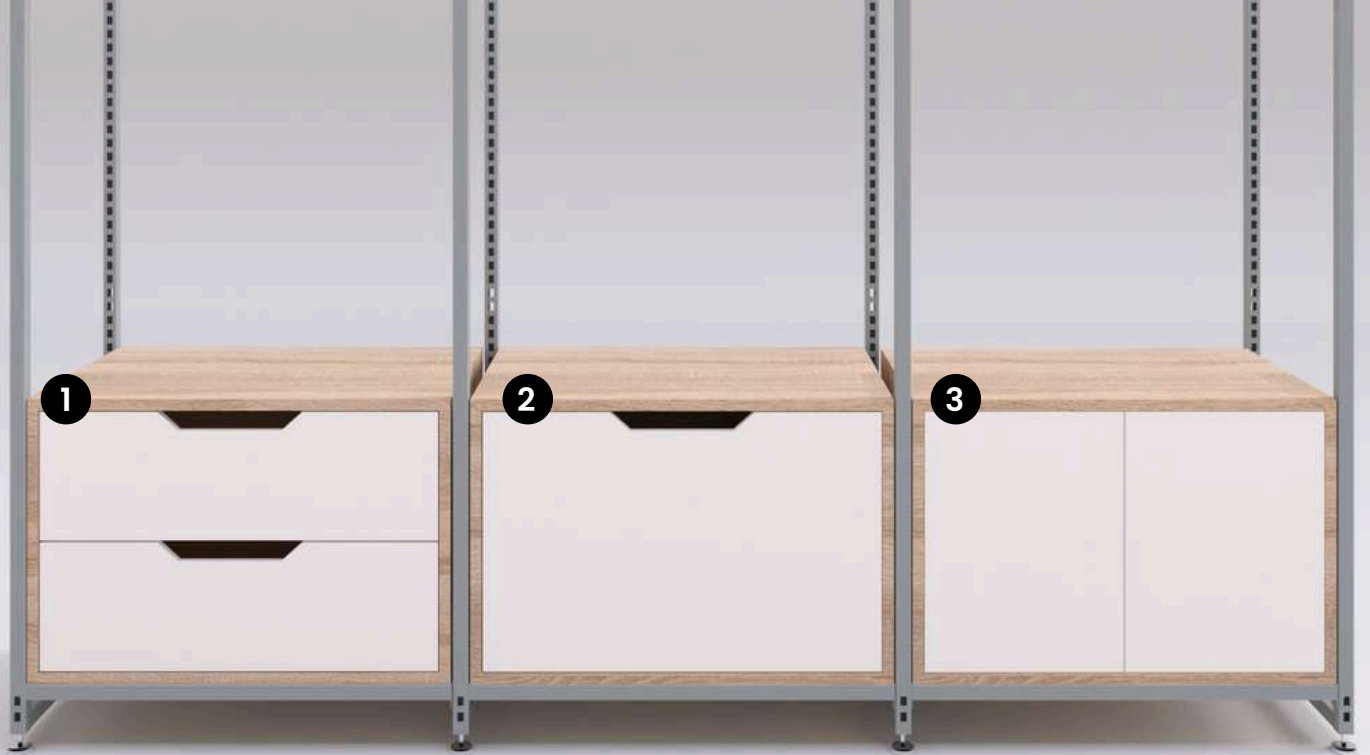
1000 - 1500 - 200 - 2500

**It is used to transfer energy from the power source to the electro rail.*

POWER SOURCE FOR LED

Watt

120 - 180 - 200 - 240 - 350



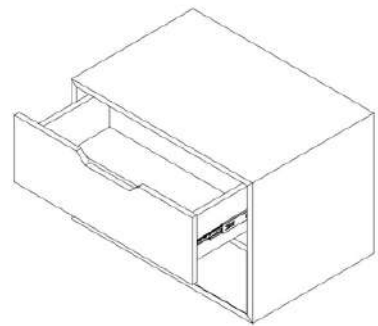
CABINETS

1. DYNAMIC CABINET TWIN DRAWERS

Length (mm)
470 - 670 - 870 - 970

Depth (mm)
370 - 470 - 570

Height (mm)
450



2. DYNAMIC CABINET SINGLE DRAWER

Length (mm)
470 - 670 - 870 - 970

Depth (mm)
370 - 470 - 570

Height (mm)
250 - 450

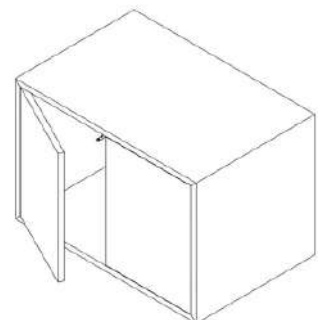


3. DYNAMIC CABINET PUSH TO OPEN TWO SIDE

Length (mm)
470 - 670 - 870 - 970

Depth (mm)
370 - 470 - 570

Height (mm)
450





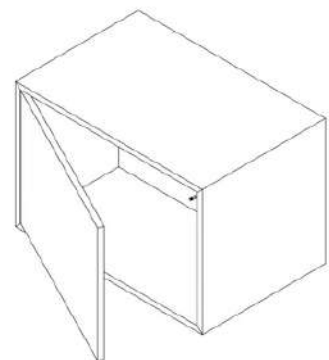
CABINETS

1. DYNAMIC GRT CABINET PUSH TO OPEN ONE & TWO SIDE

Length (mm)
470 - 670 - 870 - 970

Depth (mm)
370 - 470 - 570

Height (mm)
450

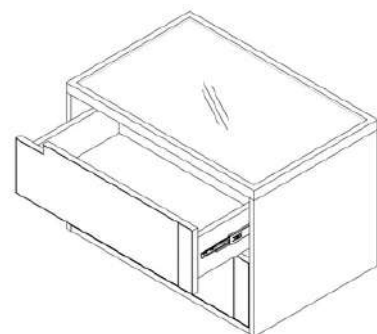


2. DYNAMIC GRT CABINET DOUBLE DRAWERS TYPE 1

Length (mm)
470 - 670 - 870 - 970

Depth (mm)
370 - 470 - 570

Height (mm)
350-450

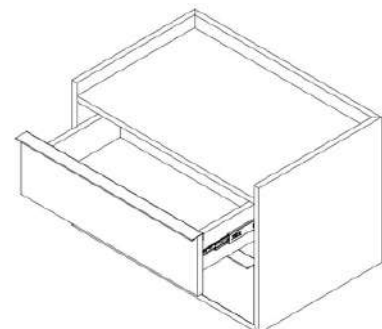


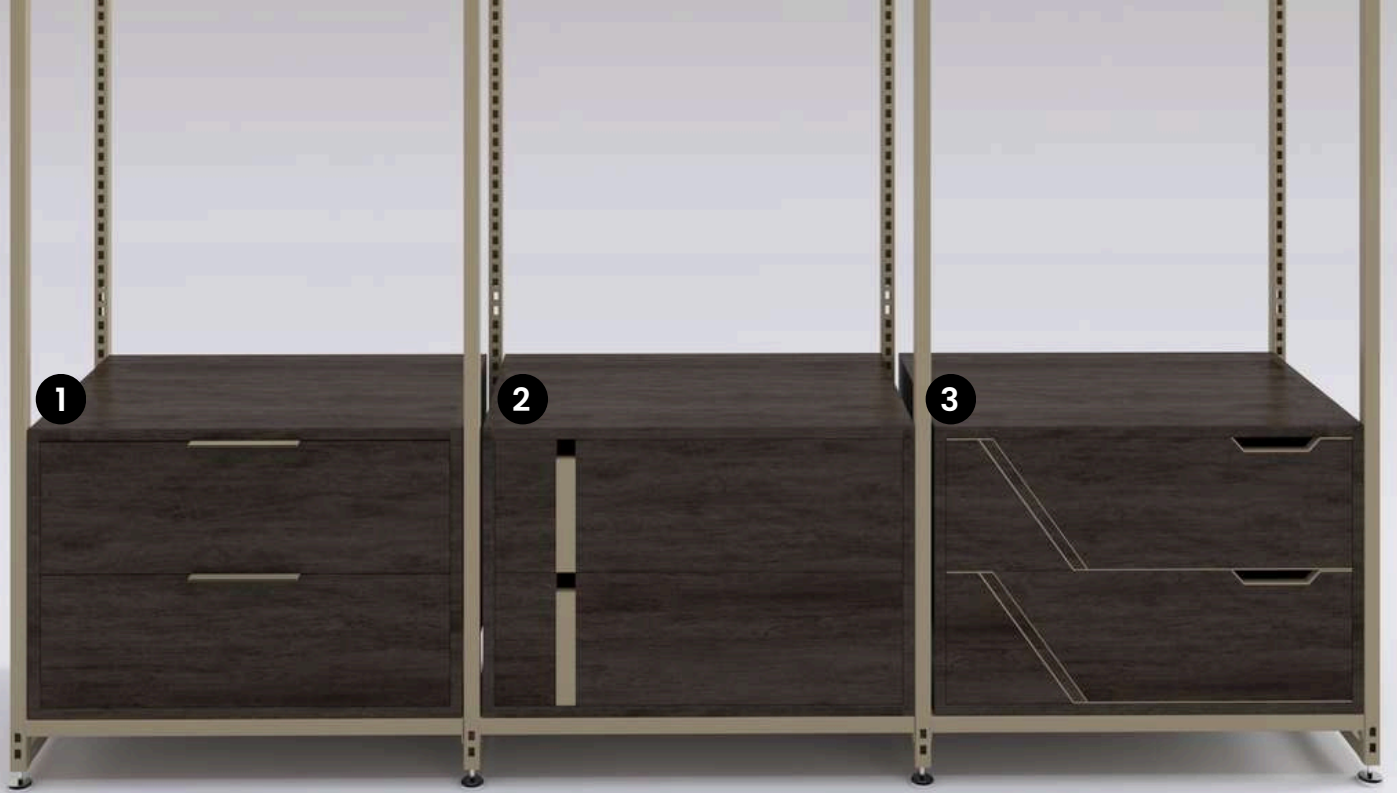
3. DYNAMIC GRT CABINET DOUBLE DRAWERS TYPE 2

Length (mm)
470 - 670 - 870 - 970

Depth (mm)
370 - 470 - 570

Height (mm)
450





CABINETS

1. DYNAMIC GRT CABINET DOUBLE DRAWERS TYPE 3

Length (mm)

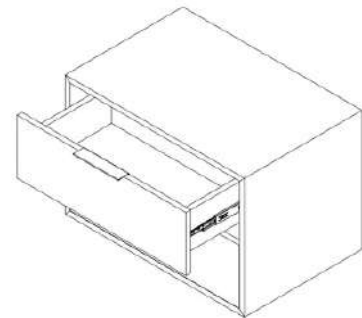
470 - 670 - 870 - 970

Depth (mm)

370 - 470 - 570

Height (mm)

450



2. DYNAMIC GRT CABINET DOUBLE DRAWERS TYPE 4

Length (mm)

470 - 670 - 870 - 970

Depth (mm)

370 - 470 - 570

Height (mm)

450



3. DYNAMIC GRT CABINET DOUBLE DRAWERS TYPE 5

Length (mm)

470 - 670 - 870 - 970

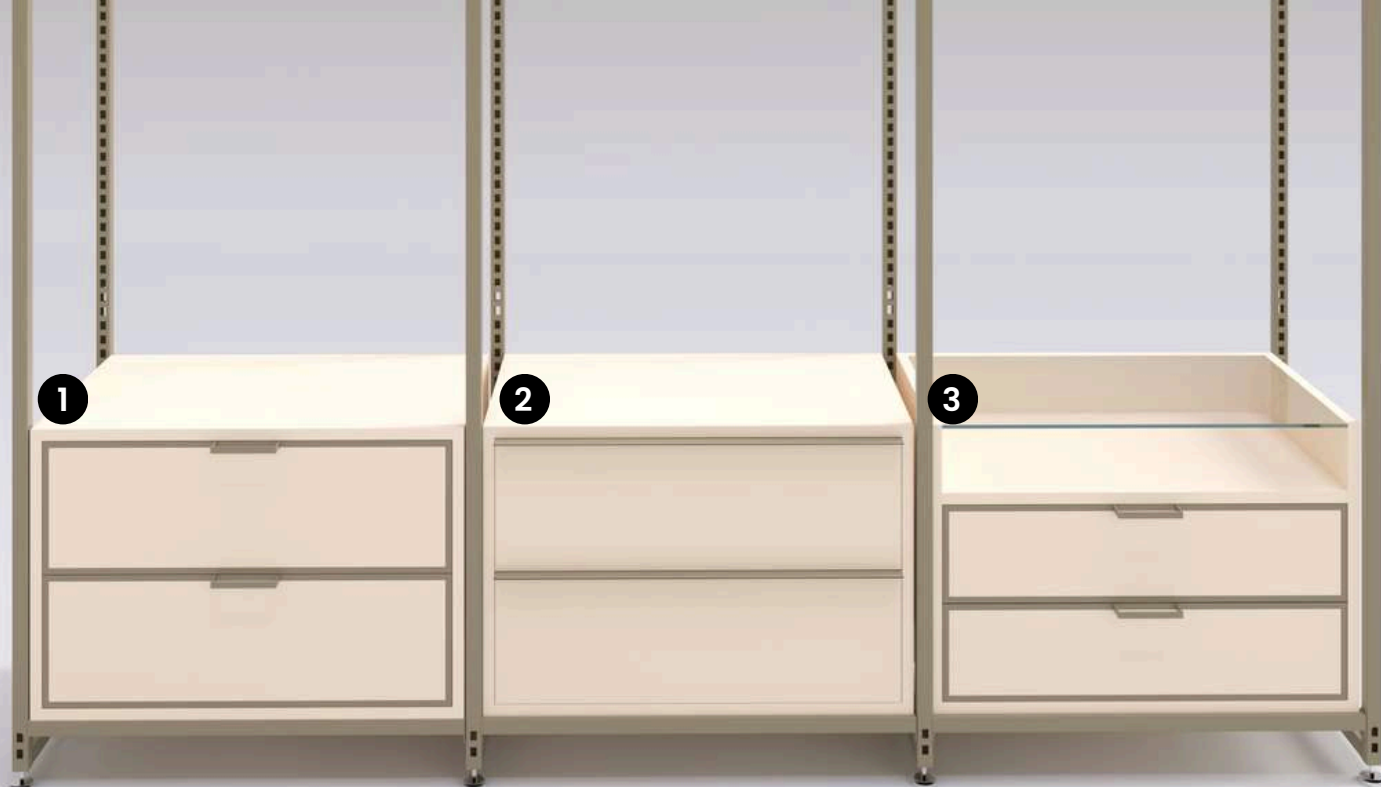
Depth (mm)

370 - 470 - 570

Height (mm)

450





CABINETS

1. DYNAMIC ECS CABINET DOUBLE DRAWERS TYPE 1

Length (mm)

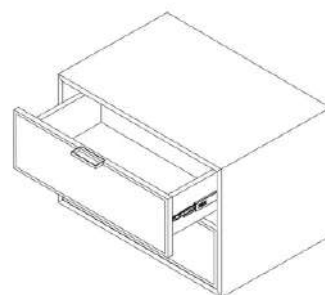
470 - 670 - 870 - 970

Depth (mm)

370 - 470 - 570

Height (mm)

450



2. DYNAMIC ECS CABINET DOUBLE DRAWERS TYPE 2

Length (mm)

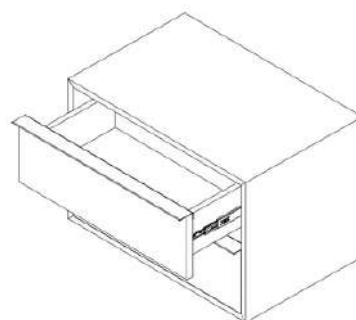
470 - 670 - 870 - 970

Depth (mm)

370 - 470 - 570

Height (mm)

450



3. DYNAMIC ECS CABINET DOUBLE DRAWERS WITH GLASS TOP

Length (mm)

470 - 670 - 870 - 970

Depth (mm)

370 - 470 - 570

Height (mm)

450





LIGHTBOX & CANOPY

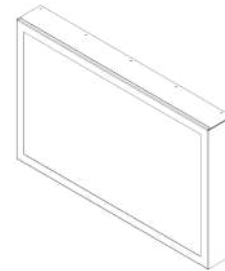
1. DYNAMIC LIGHTBOX (ATG)

Length (mm)
460 - 660 - 860 - 960

Depth (mm)
80

Height (mm)
350-400

*Plexi covers and LEDs included



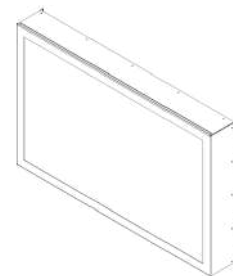
2. DYNAMIC LIGHTBOX (DG)

Length (mm)
500 - 700 - 900 - 1000

Depth (mm)
370 - 470 - 570

Height (mm)
350-450

*Plexi covers and LEDs included



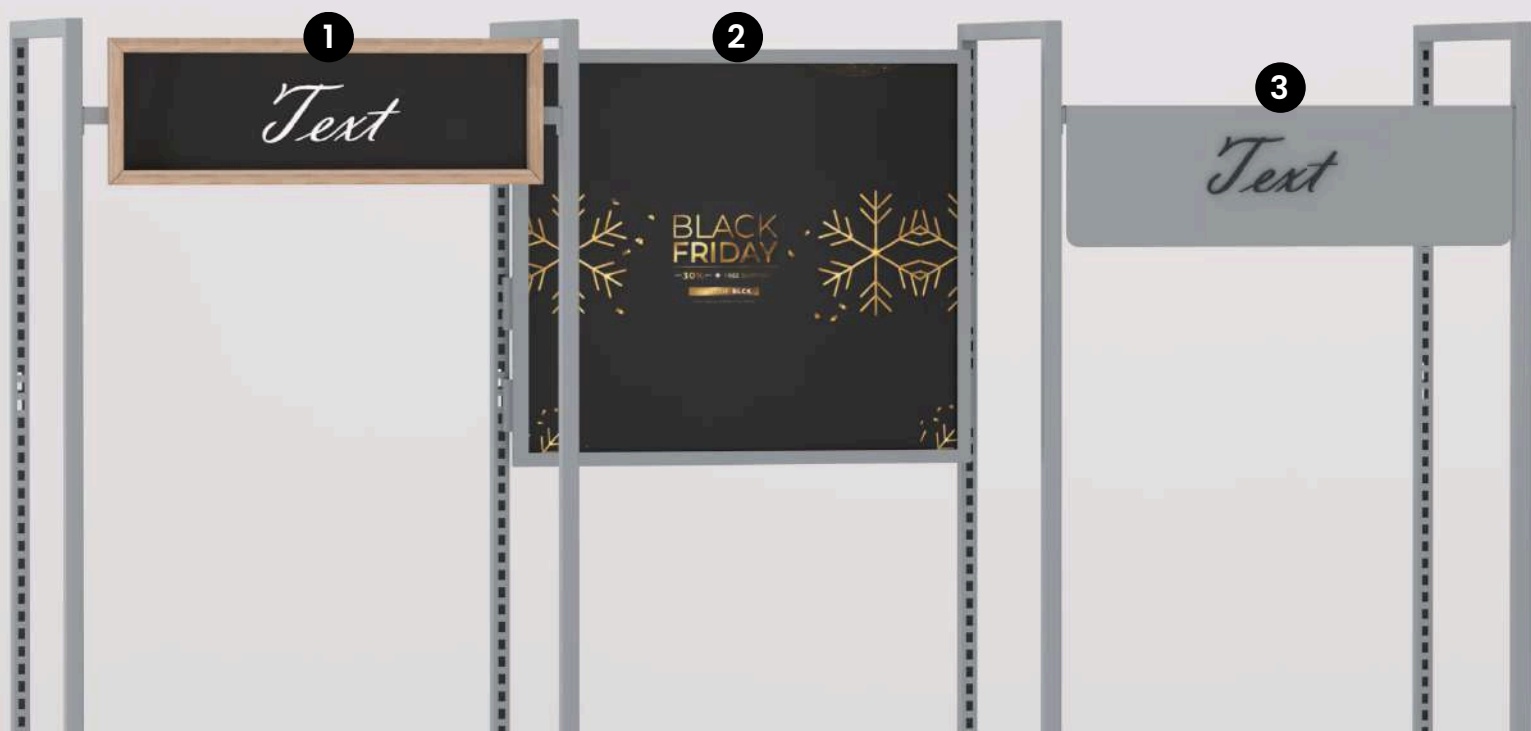
3. DYNAMIC PRIZMAX (DG)

Length (mm)
350-500

Height (mm)
600

*LEDs included





LIGHTBOX & CANOPY

1. DYNAMIC BLACK BOARD CANOPY (ATG)

Length (mm)

460 - 660 - 860 - 960

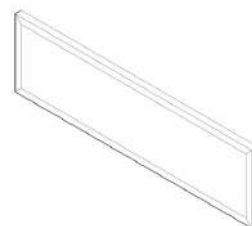
Depth (mm)

50

Height (mm)

200

**Without Lighting*



2. DYNAMIC CANOPY WITH PLEXI (DG)

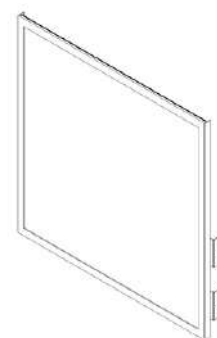
Length (mm)

350 - 500 - 700

Height (mm)

600

**Without Lighting*



3. DYNAMIC METAL CANOPY (ATG)

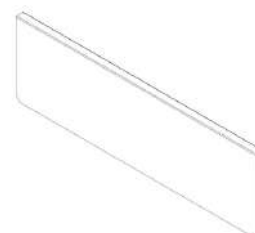
Length (mm)

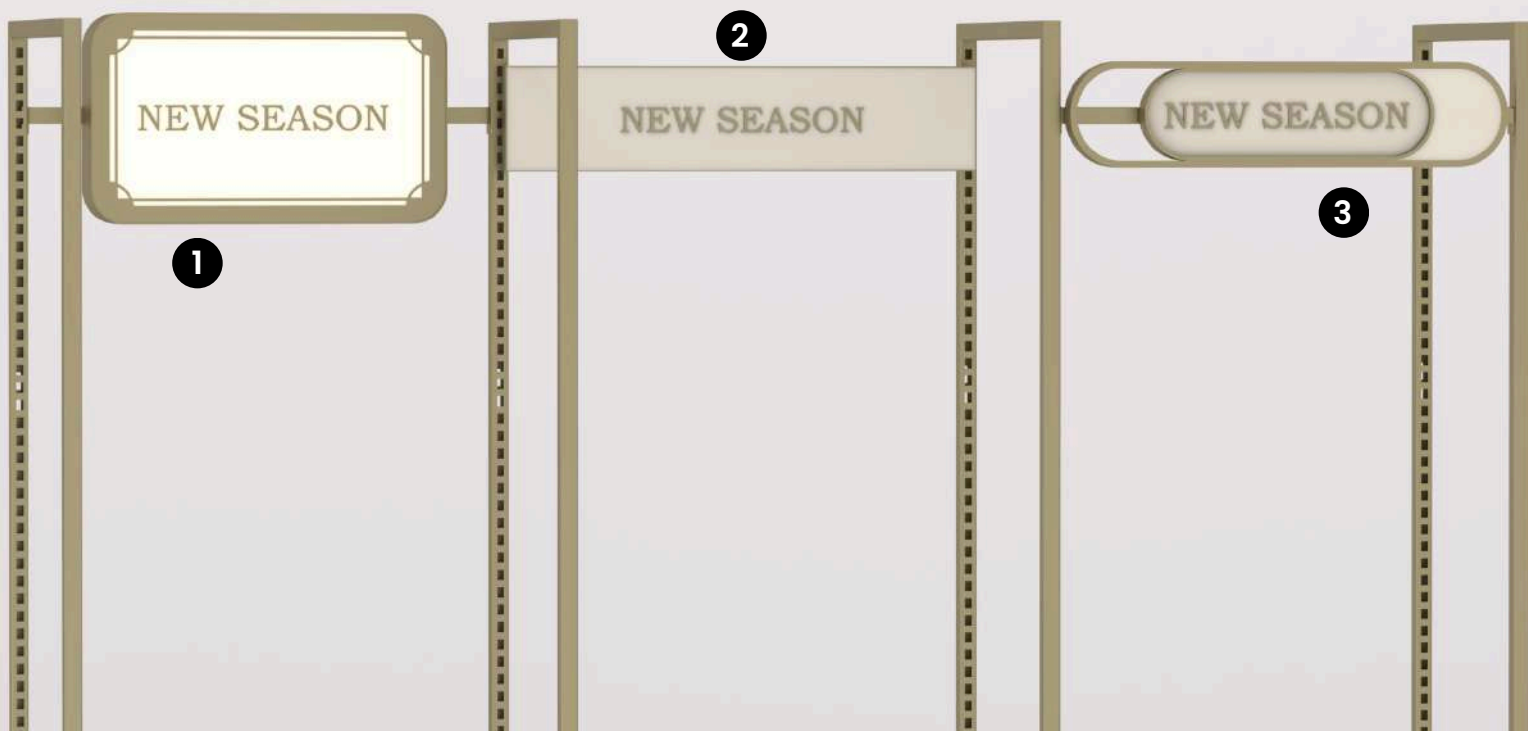
460 - 660 - 860 - 960

Height (mm)

200

**Without Lighting*





LIGHTBOX & CANOPY

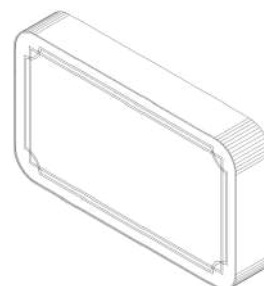
1. DECORATIVE CANOPY TYPE1 (ATG)

Length (mm)
460 - 660 - 860 - 960

Depth (mm)
50

Height (mm)
300

**Without Lighting*



2. DECORATIVE CANOPY TYPE 2 (ATG)

Length (mm)
470 - 670 - 870 - 970

Depth (mm)
50

Height (mm)
200

**Without Lighting*



3. DECORATIVE CANOPY TYPE 2 (DG)

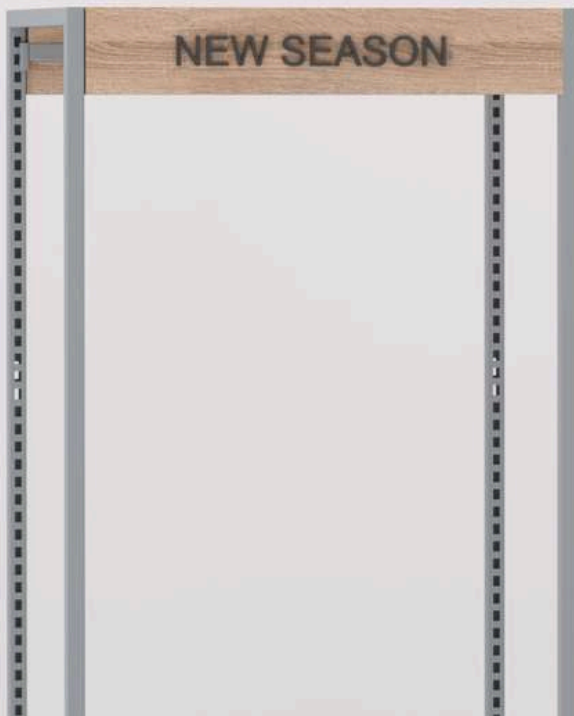
Length (mm)
500 - 700 - 900 - 1000

Height (mm)
200

**Without Lighting*



1



2



LIGHTBOX & CANOPY

1. WOODEN SHORT CANOPY FOR BEAM

Length (mm)

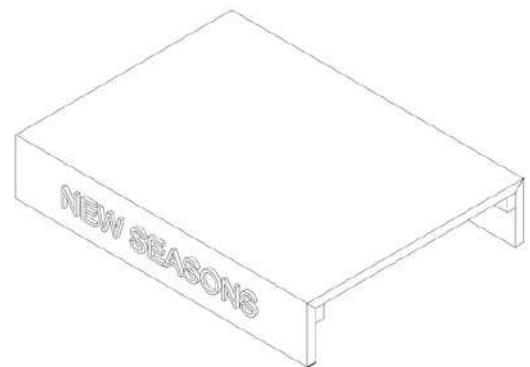
270 - 470 - 670 - 870 - 970

Depth (mm)

370 - 470 - 570

Height (mm)

150



2. WOODEN LONG CANOPY FOR BEAM

Length (mm)

270 - 470 - 670 - 870 - 970

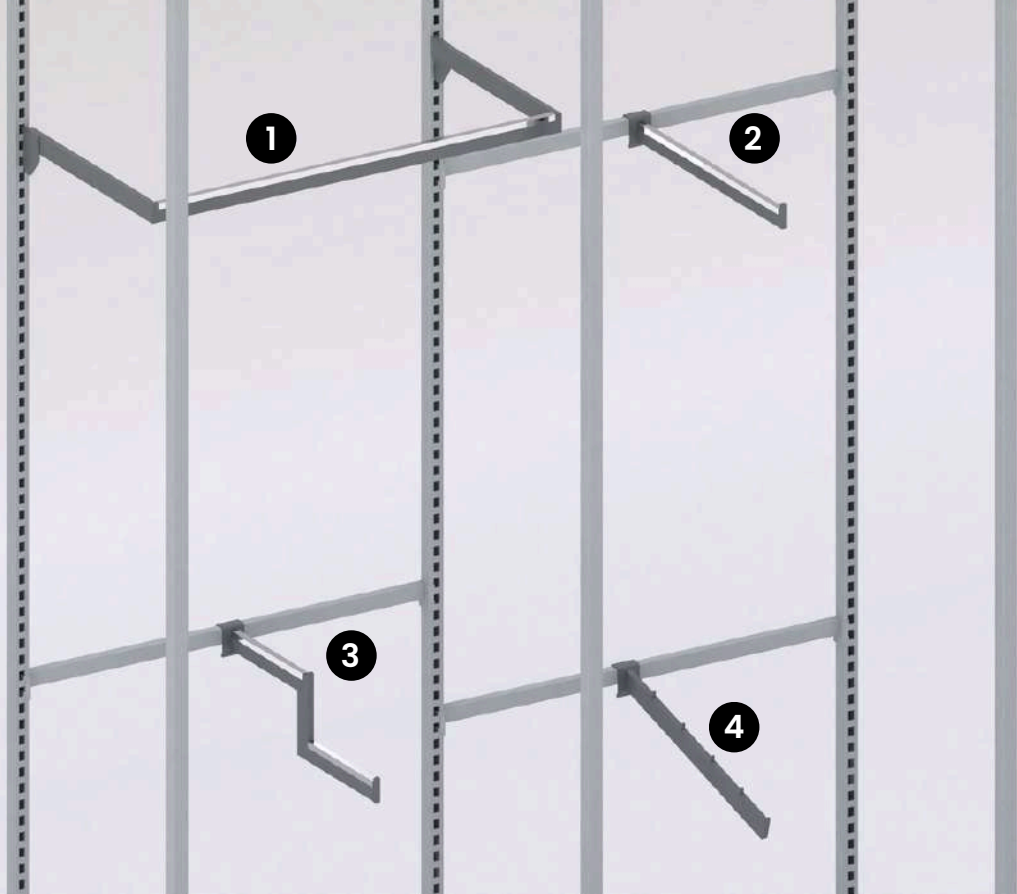
Depth (mm)

370 - 470 - 570

Height (mm)

500 - 600 - 700





HANGERS 10*30 PROFILE SERIES

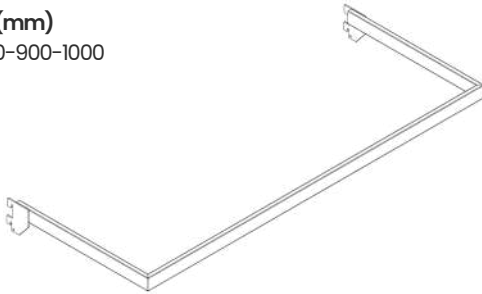
1. U HANGER 10*30 (DG)

Depth (mm)

300 - 400

Length (mm)

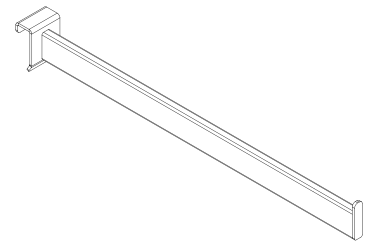
500-700-900-1000



4. HANGER 10*30 (ATG)

Depth (mm)

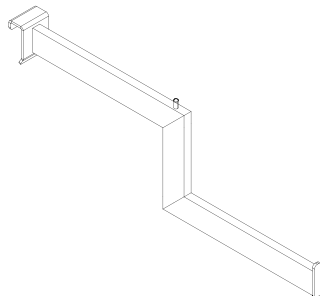
300 - 400



3. STEPPED HANGER 10*30 (ATG)

Depth (mm)

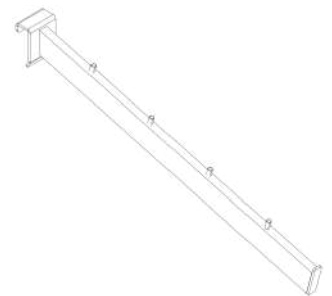
300 - 400

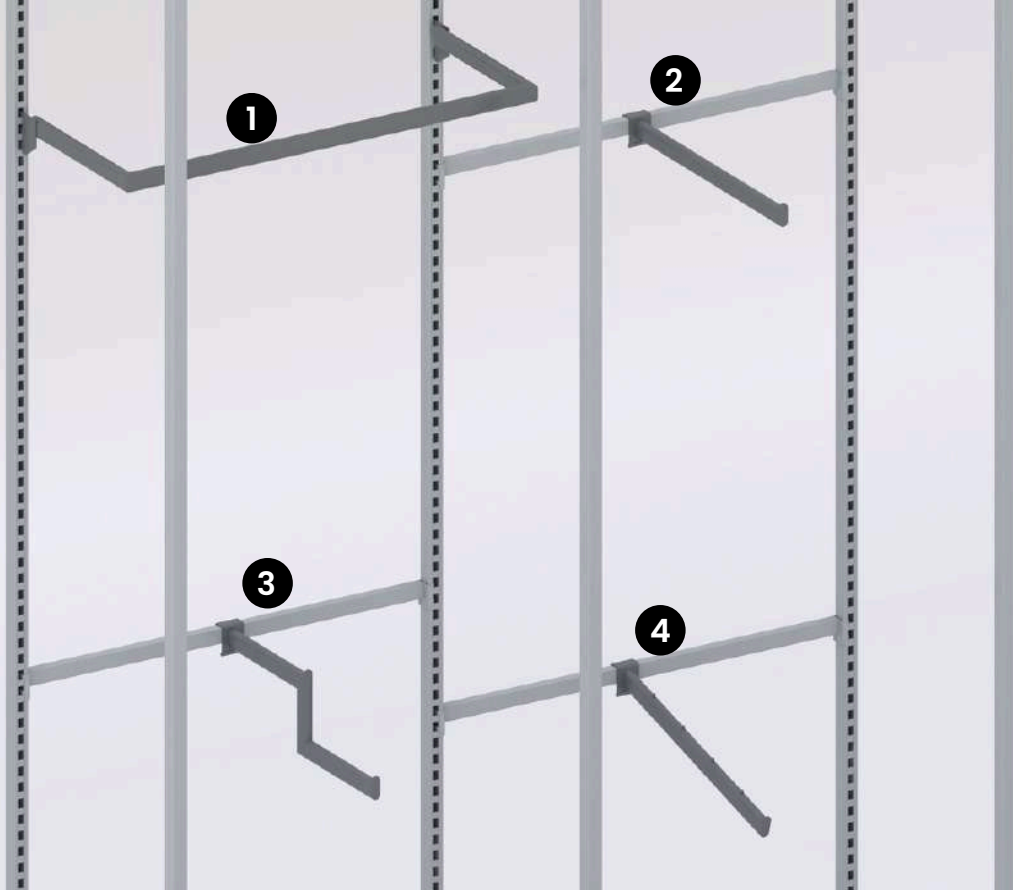


4. SLOPPED HANGER WITH PIN 10*30 (ATG)

Depth (mm)

300 - 400





HANGERS 15*30 OVAL SERIES

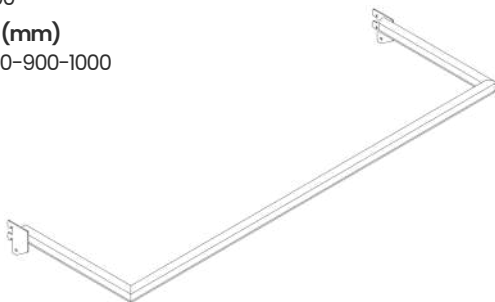
1. U HANGER 15*30 OVAL (DG)

Depth (mm)

300 - 400

Length (mm)

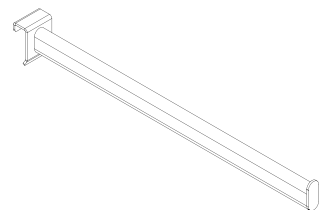
500-700-900-1000



2. HANGER 15*30 OVAL (ATG)

Depth (mm)

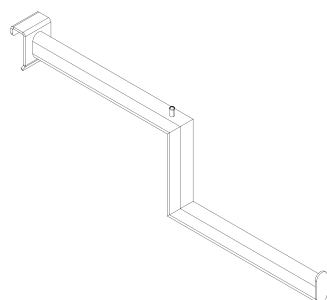
300 - 400



3. STEPPED HANGER 15*30 OVAL (ATG)

Depth (mm)

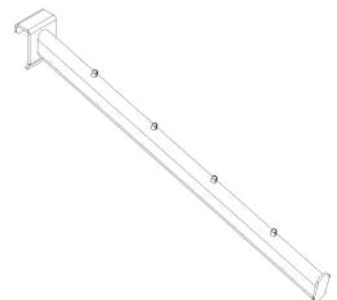
300 - 400

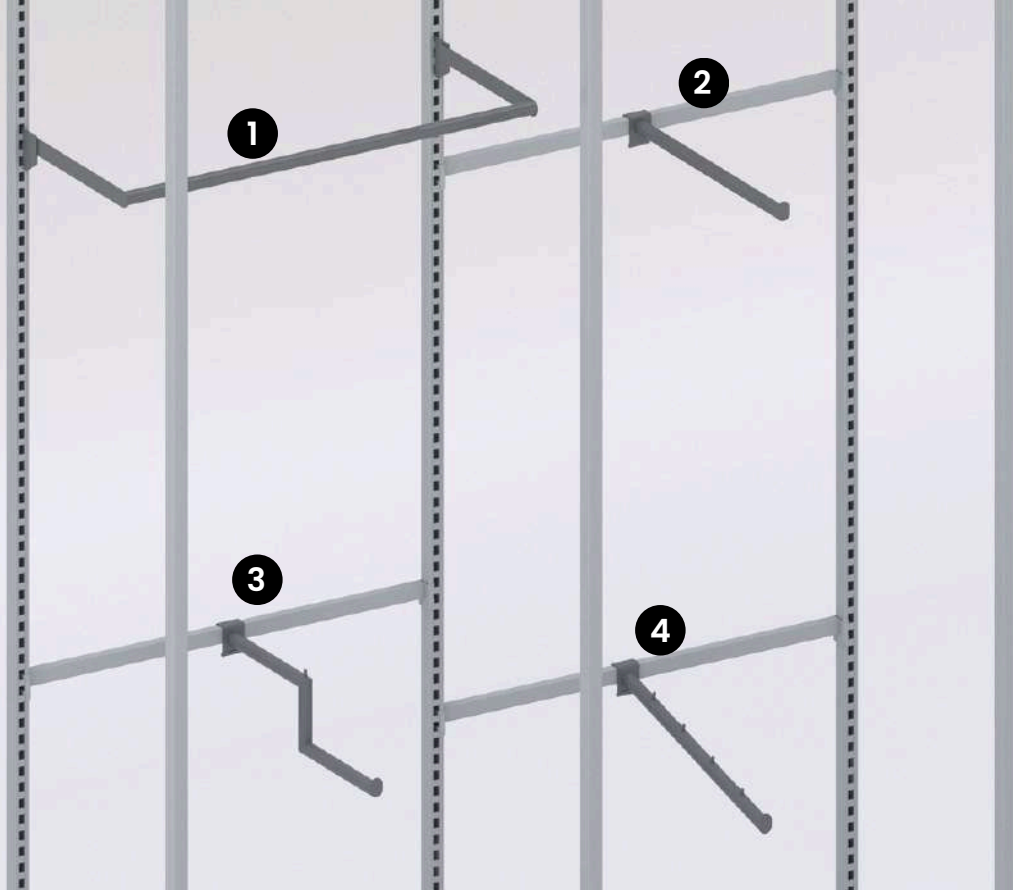


4. SLOPPED HANGER WITH PIN 15*30 OVAL (ATG)

Depth (mm)

300 - 400





HANGERS Ø21 ROUND SERIES

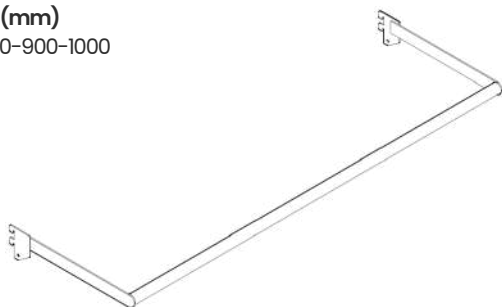
1. U HANGER Ø21 ROUND (DG)

Depth (mm)

300 - 400

Length (mm)

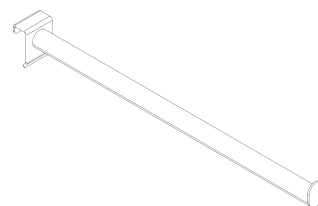
500-700-900-1000



2. HANGER Ø21 ROUND (ATG)

Depth (mm)

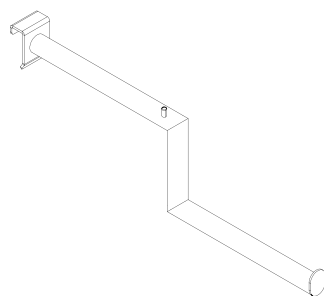
300 - 400



3. STEPPED HANGER Ø21 ROUND(ATG)

Depth (mm)

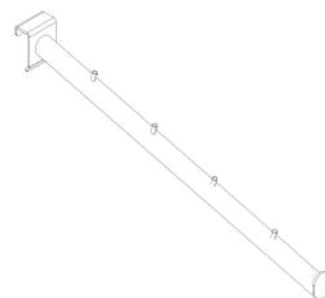
300 - 400

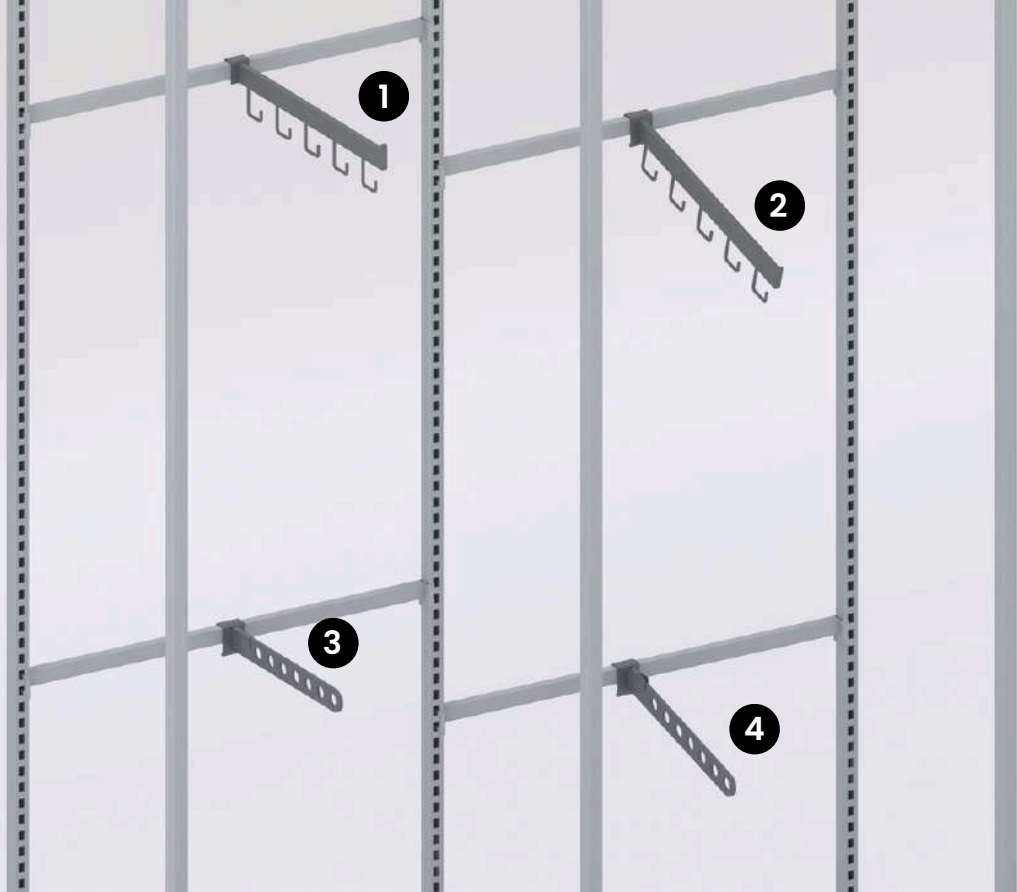


4. SLOPPED HANGER WITH PIN Ø21 ROUND (ATG)

Depth (mm)

300 - 400

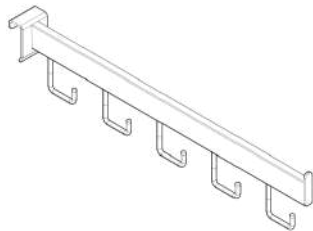




HANGERS DECORATIVE SERIES

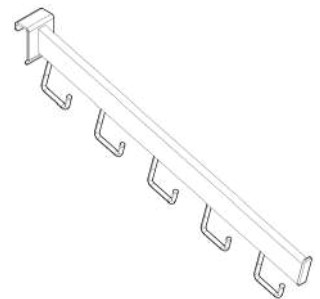
1. HOOKED HANGER 10*30 PROFILE (ATG)

Depth (mm)
300 - 400



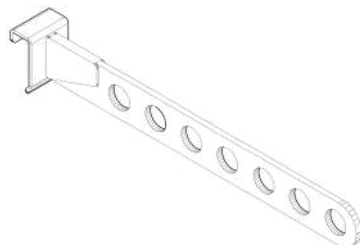
2. SLOPPED HOOKED HANGER 10*30 PROFILE (ATG)

Depth (mm)
300 - 400



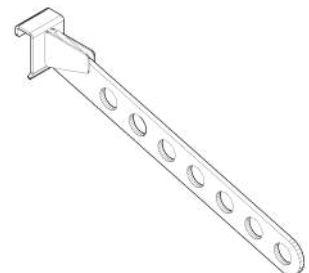
3. HANGER PERFORATED STEEL (ATG)

Depth (mm)
300 - 400



4. SLOPPED HANGER PERFORATED STEEL (ATG)

Depth (mm)
300 - 400



WIRE HOOKS SINGLE



WIRE HOOK SINGLE (ATG)

Depth (mm)
150-200-250-300



WIRE HOOK SINGLE WITH LABEL (ATG)

Depth (mm)
150-200-250-300



WIRE HOOK SINGLE (DSG)

Depth (mm)
150-200-250-300



WIRE HOOK SINGLE WITH LABEL (DSG)

Depth (mm)
150-200-250-300



WIRE HOOK SINGLE (KPG)

Depth (mm)
150-200-250-300



WIRE HOOK SINGLE WITH LABEL (KPG)

Depth (mm)
150-200-250-300

WIRE HOOKS DOUBLE



WIRE HOOK DOUBLE (ATG)

Depth (mm)
150-200-250-300



WIRE HOOK DOUBLE WITH LABEL (ATG)

Depth (mm)
150-200-250-300



WIRE HOOK DOUBLE (DSG)

Depth (mm)
150-200-250-300



WIRE HOOK DOUBLE WITH LABEL (DSG)

Depth (mm)
150-200-250-300



WIRE HOOK DOUBLE (KPG)

Depth (mm)
150-200-250-300



WIRE HOOK DOUBLE WITH LABEL (KPG)

Depth (mm)
150-200-250-300

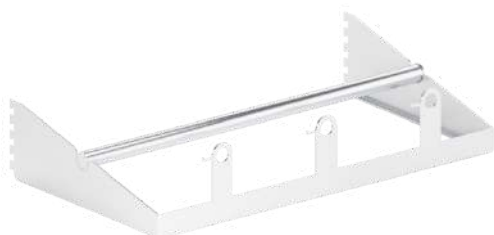
ACCESSORIES



WIRE IRON HOLDER (ATG)

Depth (mm)

250



WIRE HOOK DOUBLE WITH LABEL (DG)

Length (mm)

500 - 700 - 900 - 1000

Depth (mm)

300 - 400



CURTAIN HOLDER (ATG)

Depth (mm)

400



HAMMER HOLDER (ATG)

Depth (mm)

300



HAIR CURLING HOLDER (ATG)

Depth (mm)

300

ACCESSORIES



WIRE BALL HOLDER ROUND (ATG)

Depth (mm)

DIAMETER 200



WIRE BALL HOLDER (ATG)

Depth (mm)

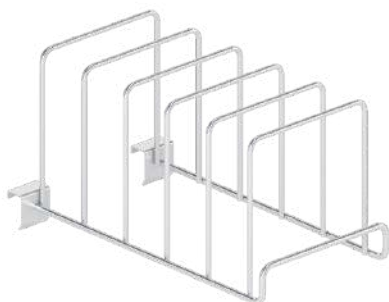
300



HAT HOLDER (ATG)

Depth (mm)

200



TRAY HOLDER (ATG)

Depth (mm)

300 - 400

Length (mm)

250

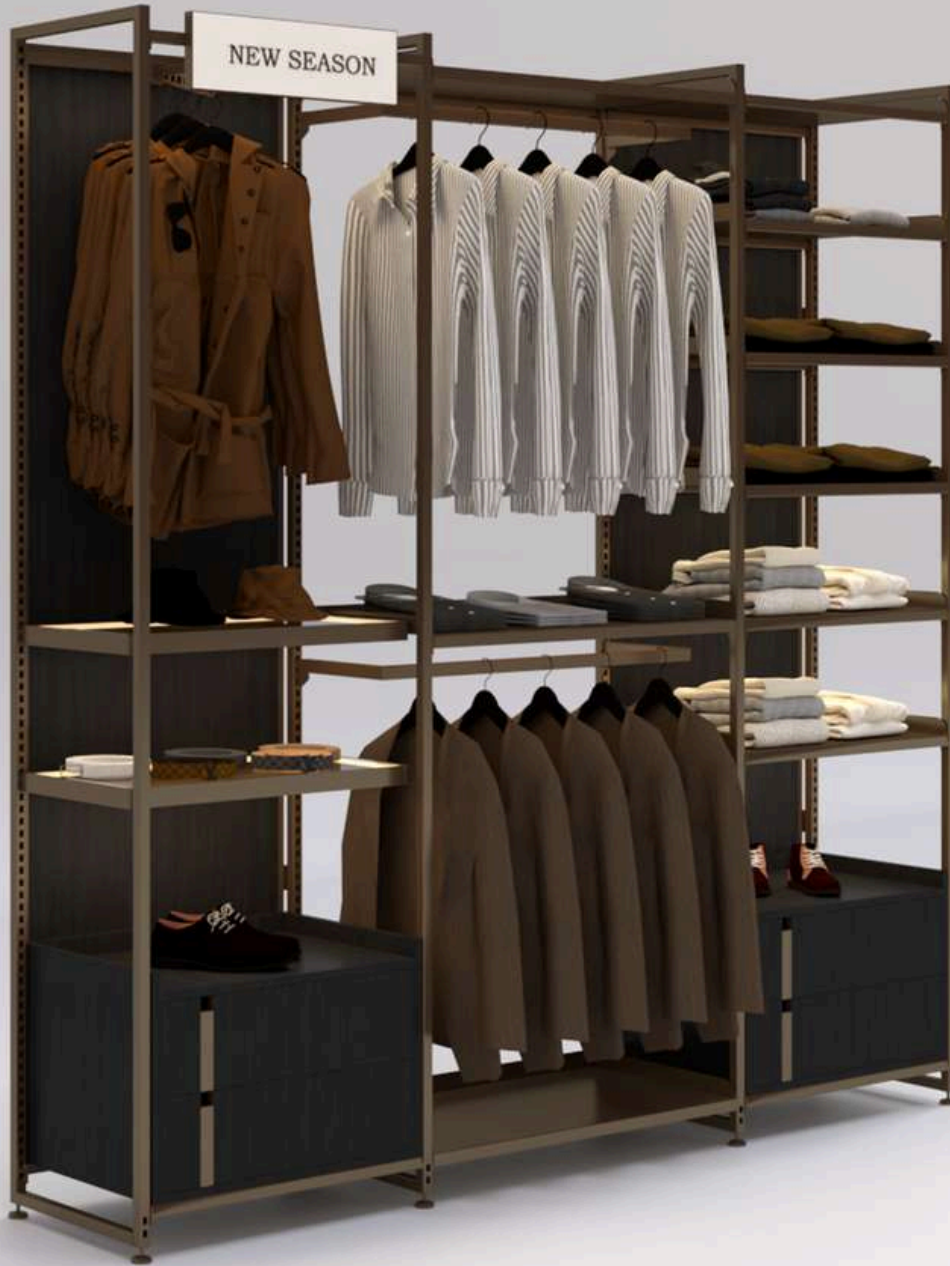


discover

textile



textile



boutique



denim



kids wear



home textile



houseware



pharmacy



bakery



hardware



pet shop



winery



winery



gondola



MATERIALS & COLOR OPTIONS

RAL CODES



RAL 1035



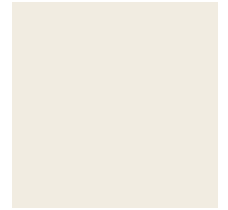
RAL 7016



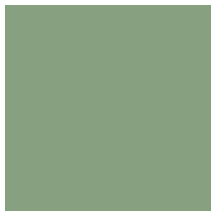
RAL 7030



RAL 7040



RAL 9010



RAL 6021



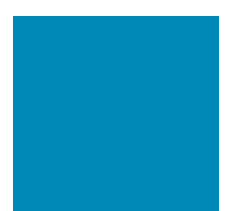
RAL 6018



RAL 1021

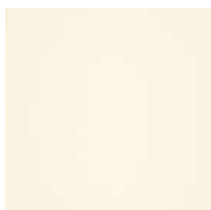


RAL 1014



RAL 5012

WOOD & OTHER



WP 01



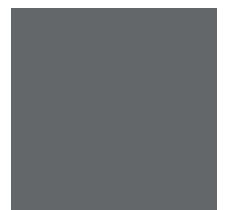
WP 02



WP 03



WP 04



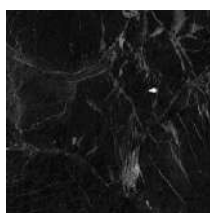
WP 05



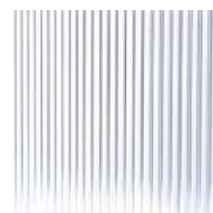
WP 06



WP 07



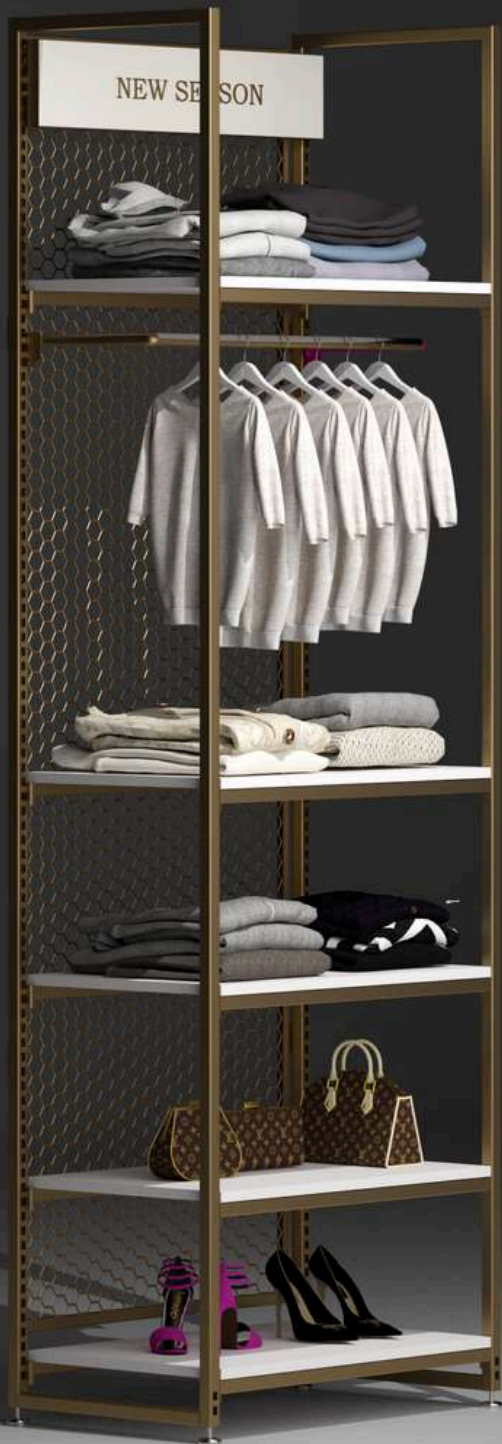
WP 08



PP 01



RP 01





+90 (224) 441 66 61

sova@sovaretail.com

Üçevler Mah. Ertuğrul Cad.
No:89A, Nilüfer, 16120
Bursa, Türkiye

SOVA