

PHARMACY DISPLAYS

Technical Catalogue

2024

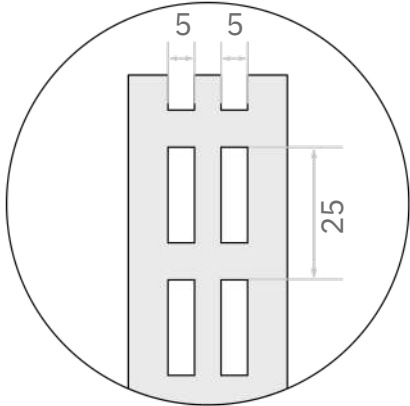


All components and accessories in the Dynamic Technical Catalog are compatible with each other. For additional accessories and parts of the Dynamic System, you can refer to the Dynamic Technical Catalog and use all the parts.

S25 Metal Shelf System Detail	01
Dynamic Unit System Detail	02
Wall & Gondola Units	
S25 Wall Fixed Unit	04
S25 Wall Unit	05
Dynamic Wall Unit	06
Dynamic Gondola	07
S25 Gondola	08
System Parts	
Back Panels	10
Shelves	12
Brackets For Shelves	14
Canopy & Lightboxes	15
Cabinets	17
Lighting Products	18
Wire Hooks ATG	19
Wire Hooks DG	20
Special Displays	
Pharmacy Wall Panel 1	22
Pharmacy Wall Panel 2.....	23
Pharmacy Dec Panel	24
Seat & Shelf	25
Z-Gon	27
S-Gon	28
Pharma360	29
Derma360	30
Hexagon	31
Hexagon Basket	32
Plexi Stand	33
Twin Table	34
Pharmabox	35
Pharmaland	36
Cashdesk	37
Farmarack	41
Sample Pharmacy Project	
Sample Pharmacy	45
Materials & Color Options	47

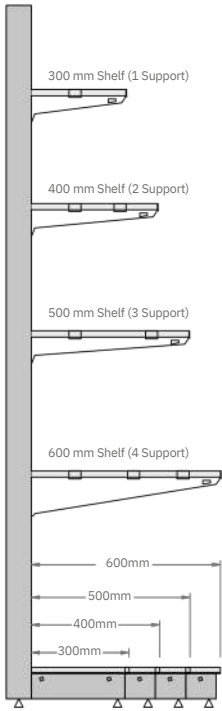
S25 METAL UNIT SYSTEM DETAIL

- S25 Wall Fixed Unit
- S25 Wall Unit
- S25 Gondola

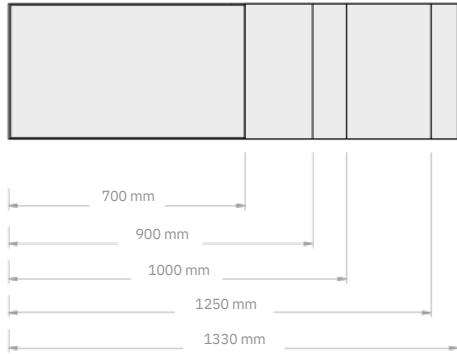


25mm Pitch

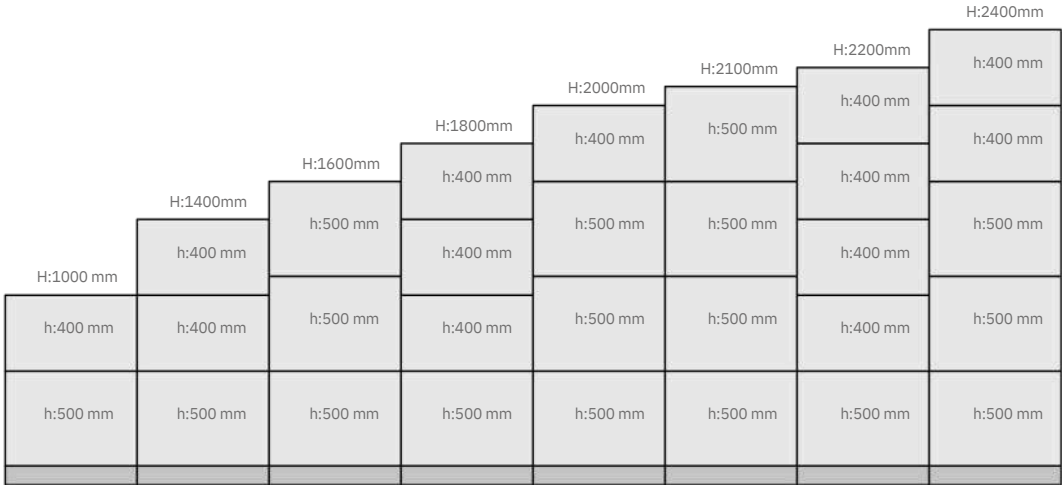
Unit Depth Options



Unit Length Options



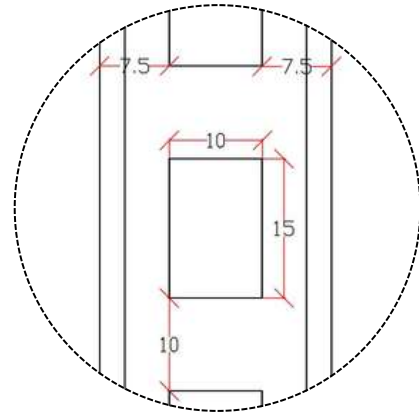
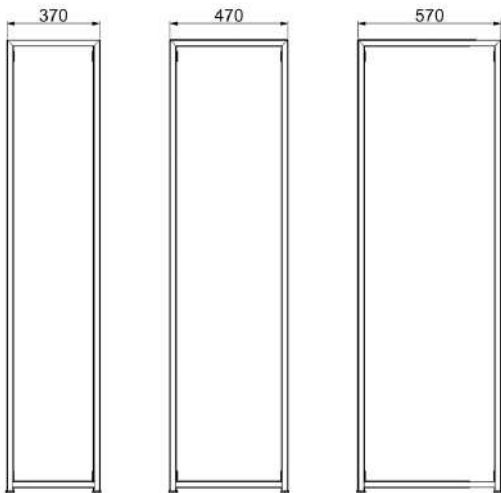
Unit Height Options



DYNAMIC UNIT SYSTEM DETAIL

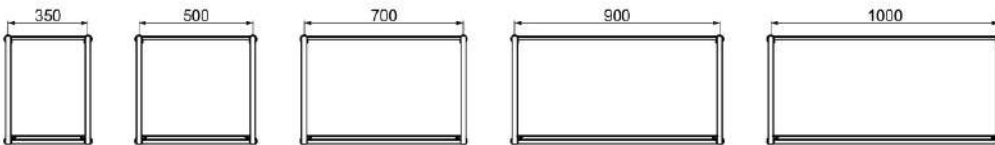
- Dynamic Wall Unit
- Dynamic Gondola

Unit Height Options

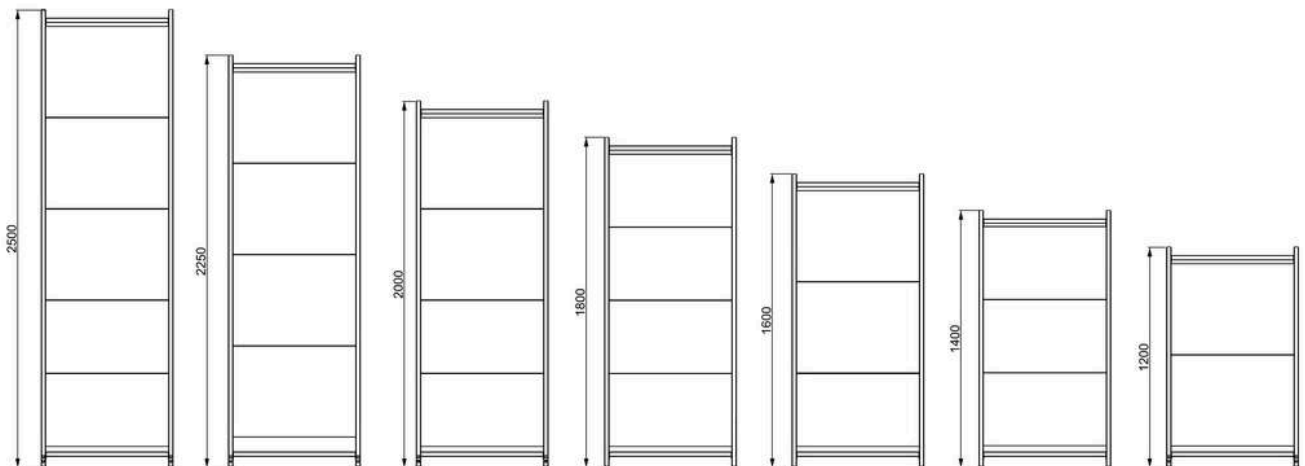


25mm Pitch

Unit Length Options



Unit Depth Options



SOVA

WALL &
UNITS

WALL &
GONDOLA

UNITS





S25 WALL FIXED UNIT

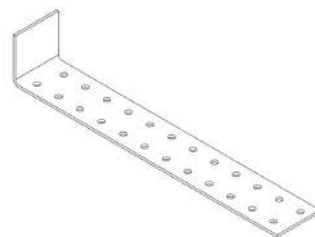


S25 Upright Wall Fixed

Height (mm)

2400-2200-2000-1800

Upright Wall Connector





S25 WALL UNIT



S25 Upright

Height (mm)
1800-2000-2200-2400

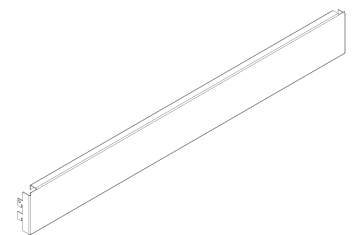
S25 Base Leg

Depth (mm)
300-400-500



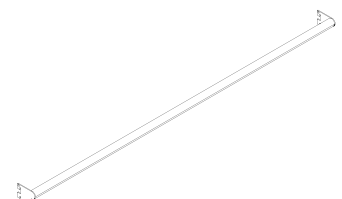
Plinth

Height (mm)
110
Length (mm)
350-500-700-900-1000



Barrier

Length (mm)
350-500-700-900-1000





DYNAMIC WALL UNIT

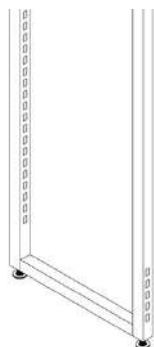
Dynamic Frame

Height (mm)

2550-2250-2000-1800-1600-1200

Depth (mm)

370-470-570



Dynamic Beam

Length (mm)

350-500-700-900-1000



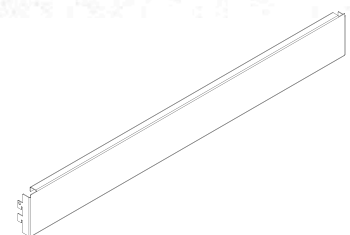
Plinth

Height (mm)

110

Length (mm)

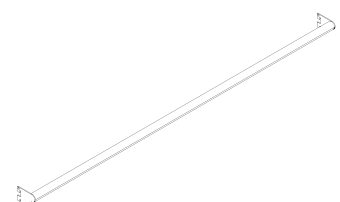
350-500-700-900-1000



Barrier

Length (mm)

350-500-700-900-1000





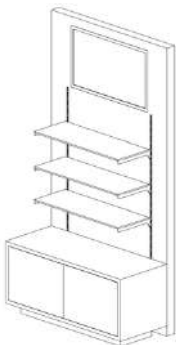
DYNAMIC GONDOLA

Dynamic Gondola Head

Height (mm)
1800-1600-1400-1200

Depth (mm)
350

Length (mm)
1150-950-750



Dynamic Frame

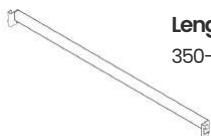
Height (mm)
1800-1600-1400-1200

Depth (mm)
370-470-570



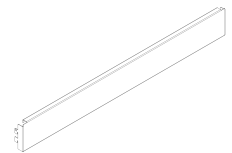
Dynamic Beam

Length (mm)
350-500-700-900-1000



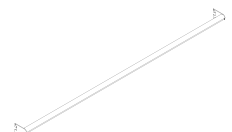
Plinth

Height (mm)
110
Length (mm)
350-500-700-900-1000



Barrier

Length (mm)
350-500-700-900-1000





S25 GONDOLA

S25 Gondola Head Side Panel

Height (mm)

1200-1400-1600-1800

Depth (mm)

300-400-500-600



S25 Upright

Height (mm)

1800-2000-2200-2400



S25 Base Leg

Depth (mm)

300-400-500



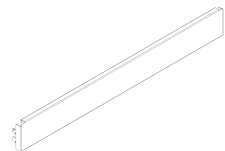
Plinth

Height (mm)

110

Length (mm)

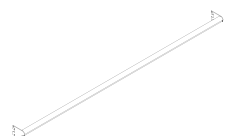
350-500-700-900-1000



Barrier

Length (mm)

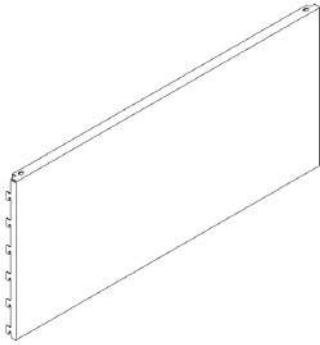
350-500-700-900-1000





Sova's S25 and DYNAMIC shelving systems are fully integrated with each other. They can be configured as either wall or gondola display units in pharmacies and cosmetics stores. All complementary parts and accessories of the S25 and DYNAMIC systems are cross-compatible. All unit parts in this technical catalog can be used with both the S25 or DYNAMIC shelving system.

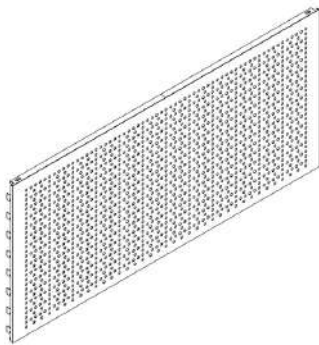
BACK PANELS



METAL BACK PANEL

Height (mm)
300 - 400 - 500

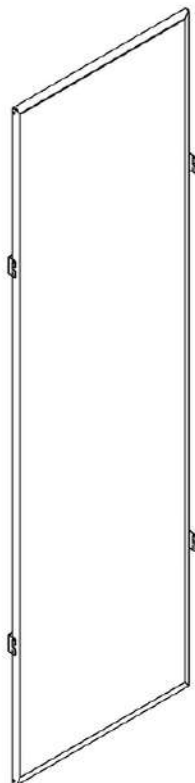
Length (mm)
500 - 700 - 900 - 1000



PERFORATED BACK PANEL

Height (mm)
400 - 500

Depth (mm)
500 - 700 - 900 - 1000

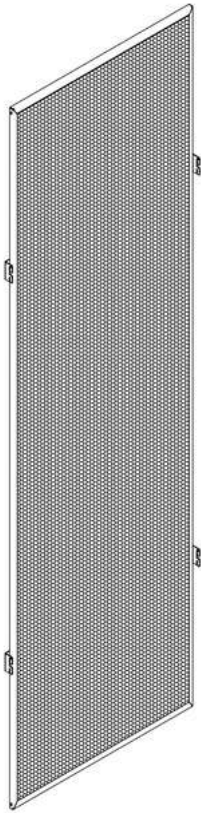


WOODEN BACK PANEL

Height (mm)
1200 - 1400 - 1600 - 1800 - 2000 - 2250 - 2500

Length (mm)
350 - 500 - 700 - 900 - 1000

BACK PANELS



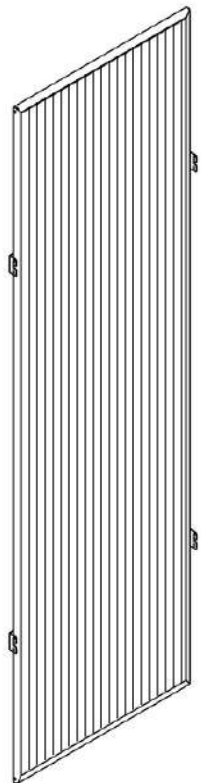
MESH BACK PANEL

Height (mm)

1200 - 1400 - 1600 - 1800 - 2000 - 2250 - 2500

Length (mm)

350 - 500 - 700 - 900 - 1000



POLYCARBONATE BACK PANEL

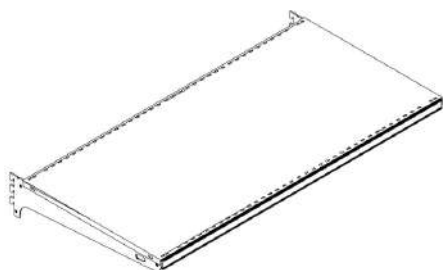
Height (mm)

1200 - 1400 - 1600 - 1800 - 2000 - 2250 - 2500

Length (mm)

350 - 500 - 700 - 900 - 1000

SHELVES



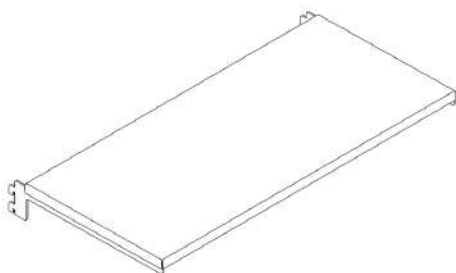
METAL SHELF FOR BRACKET

Length (mm)

500 - 700 - 900 - 1000

Depth (mm)

300 - 400 - 500



METAL SHELF (DG)

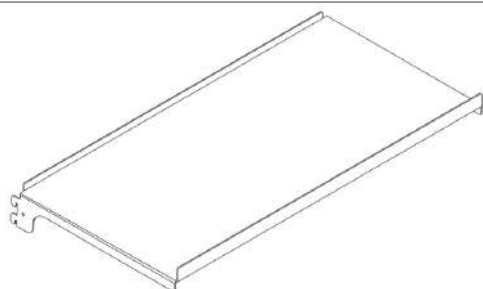
Length (mm)

500 - 700 - 900 - 1000

Depth (mm)

300 - 400 - 500

- *Integrated bracket*
-



FRINGED METAL SHELF (DG)

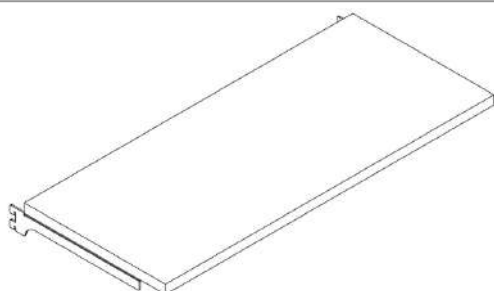
Length (mm)

500 - 700 - 900 - 1000

Depth (mm)

300 - 400 - 500

- *Integrated bracket*
-



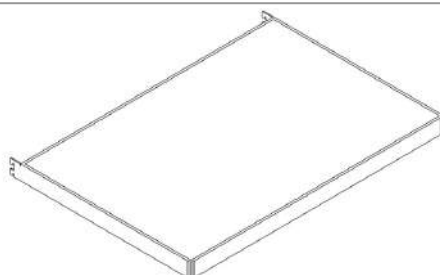
WOODEN SHELF FOR BRACKET

Length (mm)

500 - 700 - 900 - 1000

Depth (mm)

300 - 400 - 500



WOODEN SHELF (DG)

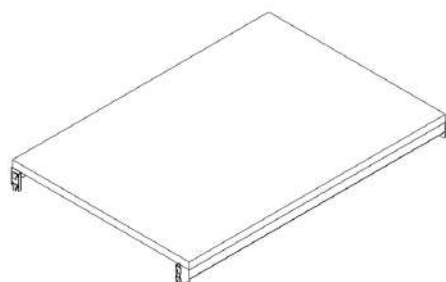
Length (mm)

500 - 700 - 900 - 1000

Depth (mm)

300 - 400 - 500

- *Integrated bracket*
-



WOODEN SHELF FOR BEAM

Length (mm)

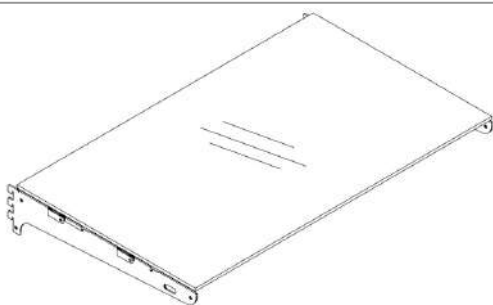
320 - 470 - 670 - 870 - 970

Depth (mm)

370 - 470 - 570

- *Compatible with Dynamic system only*
-

SHELVES



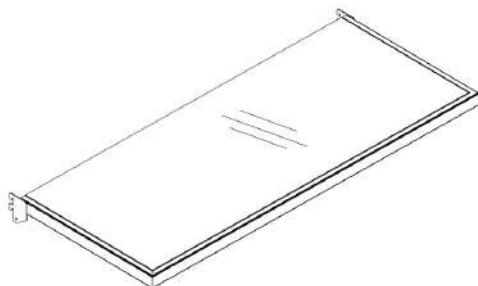
GLASS SHELF FOR BRACKET

Length (mm)

500 - 700 - 900 - 1000

Depth (mm)

370 - 470 - 570



GLASS U FRAMED SHELF (DG)

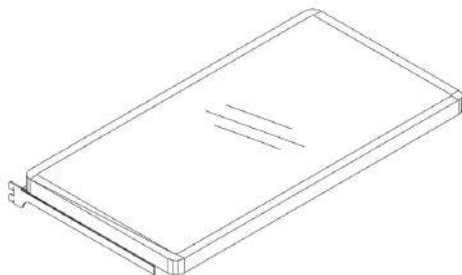
Length (mm)

500 - 700 - 900 - 1000

Depth (mm)

300 - 400 - 500

- *Integrated bracket*
-



WOODEN FRAMED GLASS SHELF FOR BRACKET (DG)

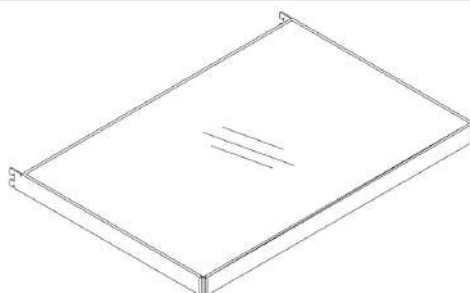
Length (mm)

500 - 700 - 900 - 1000

Depth (mm)

300 - 400 - 500

- *With LED Light*
-



METAL FRAMED GLASS SHELF (DG)

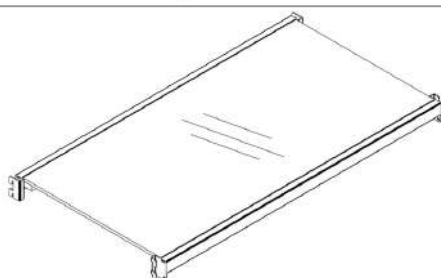
Length (mm)

320 - 470 - 670 - 870 - 970

Depth (mm)

370 - 470 - 570

- *With LED Light*
 - *Integrated bracket*
-



GLASS SHELF FOR BEAM

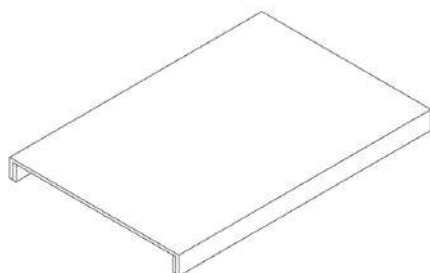
Length (mm)

320 - 470 - 670 - 870 - 970

Depth (mm)

370 - 470 - 570

- *Compatible with Dynamic system only*
-



PLEXI SHELF FOR BEAM

Length (mm)

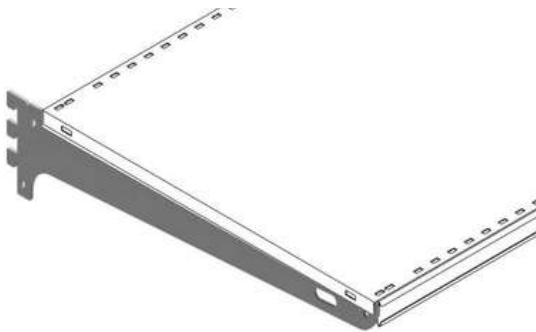
320 - 470 - 670 - 870 - 970

Depth (mm)

370 - 470 - 570

- *Compatible with Dynamic system only*
-

BRACKETS FOR SHELVES

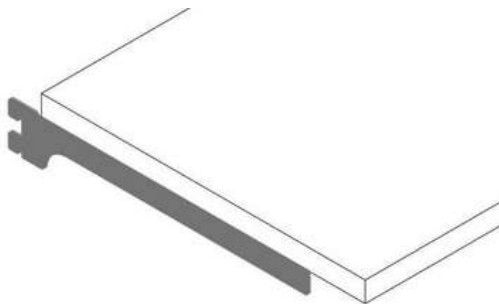


S25 SHELF BRACKET

Depth (mm)

300 - 400 - 550

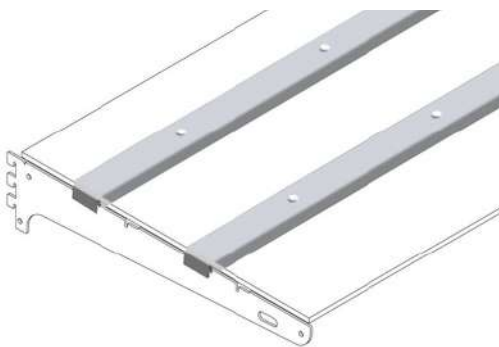
- For S25 Metal & Glass Shelves
- For glass shelves, used together with "Bracket Connecting Bar" below



WOODEN SHELF BRACKET

Depth (mm)

300 - 350-400 - 450



BRACKET CONNECTING BAR

Length (mm)

500-700-900-1000

- For Glass Shelves
- Used together with S25 Shelf Bracket above



GLASS SHELF SET WITH U BRACKET

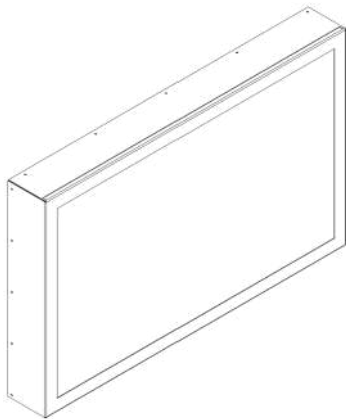
Length (mm)

500 - 700 - 900 - 1000

Depth (mm)

370 - 470 - 570

LIGHTBOX & CANOPY



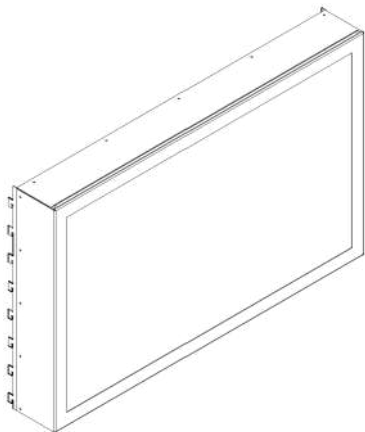
LIGHTBOX (ATG)

Length (mm)
460-660-860-960

Depth (mm)
80

Height (mm)
350

- *Plexi covers and LEDs included*



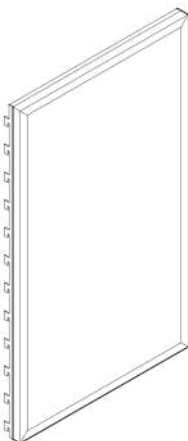
LIGHTBOX (DG)

Length (mm)
500-700-900-1000

Depth (mm)
370-470-570

Height (mm)
350

- *Plexi covers and LEDs included*

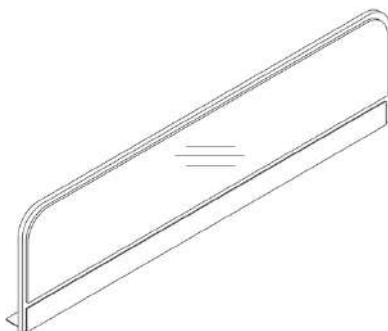


PRIZMAX VERTICAL (DG)

Length (mm)
460-660-860-960

Height (mm)
600

- *LEDs included*



MIDDLE STAND TOP LED SIGN

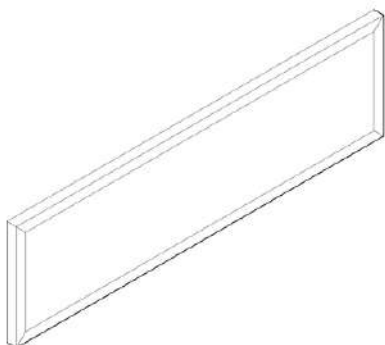
Length (mm)
500-700-900-1000

Depth (mm)
20

Height (mm)
150-200-250

- *LEDs included*

LIGHTBOX & CANOPY



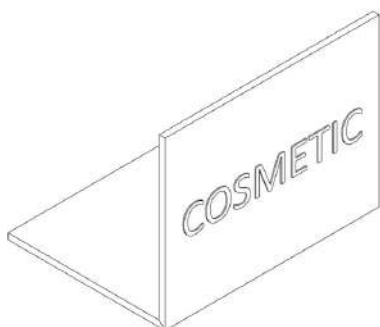
BLACK BOARD CANOPY (ATG)

Length (mm)
460-660-860-960

Depth (mm)
20

Height (mm)
200

- Without Lighting



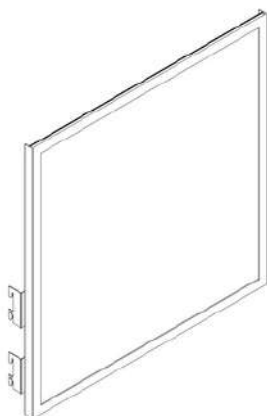
WOODEN HIGH CANOPY FOR BEAM

Length (mm)
320-470-670-870-970

Depth (mm)
370-470-570

Height (mm)
300-400-500-600-700

- Without Lighting

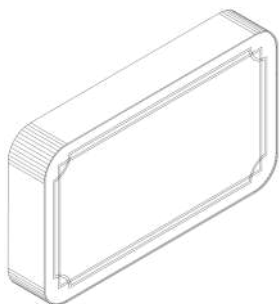


CANOPY WITH PLEXI (DG)

Length (mm)
350-500-700

Height (mm)
600

- Without Lighting



DECORATIVE CANOPY TYPE 1 (ATG)

Length (mm)
460-660-860-960

Depth (mm)
50

Height (mm)
300

- Without Lighting

CABINETS

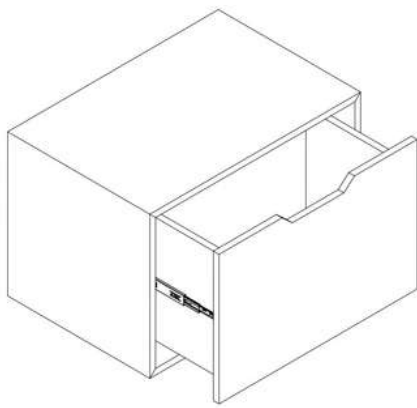


CABINET TWIN DRAWERS

Length (mm)
470 - 670 - 870 - 970

Depth (mm)
370 - 470 - 570

Height (mm)
450

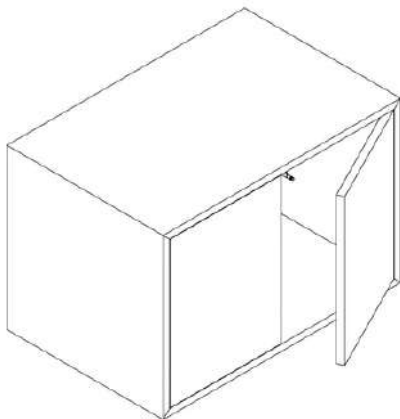


CABINET SINGLE DRAWER

Length (mm)
470 - 670 - 870 - 970

Depth (mm)
370 - 470 - 570

Height (mm)
250 - 450

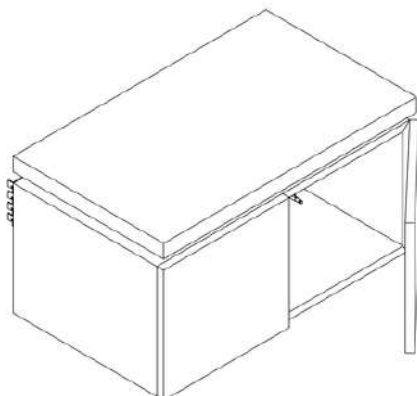


CABINET PUSH TO OPEN TWO SIDE

Length (mm)
470 - 670 - 870 - 970

Depth (mm)
370 - 470 - 570

Height (mm)
450



CABINET FIXED UPRIGHT

Length (mm)
470-670-870-970

Depth (mm)
370 - 470 - 570

Height (mm)
450

LIGHTING PRODUCTS



MAGNETIC ELECTRO RAIL

Height(mm)

1000 - 1200 - 1400 - 1600 - 1800 - 2000 - 2200 - 2400

Length (mm)

20

- *One meter cable included.*



SOCKET & CABLE FOR LED LIGHTING TO RAIL

Depth (mm)

300 - 400 - 500

- *Used to transfer energy from the electro rail to the LEDs.*
- *Electro rail socket is included in ECO series LED lighting.*



LED LIGHTING ALUMINUM (MAGNETIC)

Length (mm)

470 - 500 - 670 - 700 - 870 - 900 - 970 - 1000

LED LIGHTING ALUMINUM (SCREW MOUNT)

Length (mm)

470 - 500 - 670 - 700 - 870 - 900 - 970 - 1000



LED LIGHTING POLYCARBON (MAGNETIC)

Length (mm)

470 - 500 - 670 - 700 - 870 - 900 - 970 - 1000

LED LIGHTING POLYCARBON (SCREW MOUNT)

Length (mm)

470 - 500 - 670 - 700 - 870 - 900 - 970 - 1000



LED CABLE FOR POWER SOURCE

Length (mm)

1000 - 1500 - 2000

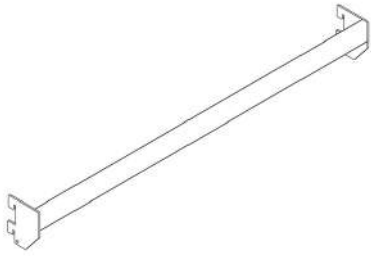


POWER SOURCE

Watt

120 - 180 - 200 - 240 - 350

WIRE HOOKS ATG



ACCESSORIES HOLDER (15x30)

Length (mm)
350-500-700-900-1000



WIRE HOOK SINGLE (ATG)

Depth (mm)
150-200-250-300



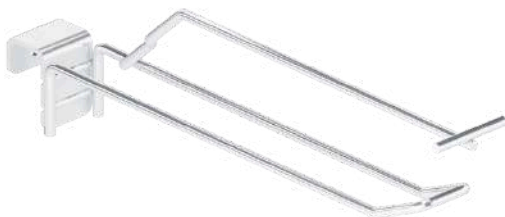
WIRE HOOK SINGLE WITH LABEL (ATG)

Depth (mm)
150-200-250-300



WIRE HOOK DOUBLE (ATG)

Depth (mm)
150-200-250-300



WIRE HOOK DOUBLE WITH LABEL (ATG)

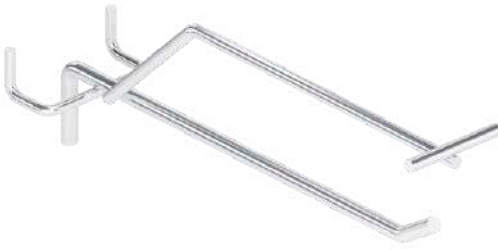
Depth (mm)
150-200-250-300

WIRE HOOKS DSG



WIRE HOOK SINGLE (DSG)

Depth (mm)
150-20-250-300



WIRE HOOK SINGLE WITH LABEL (DSG)

Depth (mm)
150-200-250-300



WIRE HOOK DOUBLE (DSG)

Depth (mm)
150-20-250-300



WIRE HOOK DOUBLE WITH LABEL (DSG)

Depth (mm)
150-200-250-300

SOVA

SPECIAL

DISPLAY

SPECIAL

DISPLAY



PHARMACY WALL PANEL 1

Pharmacy Wall Panel 1

Height (mm)

2000-2200-2400-2600-2800

- LEDs included for all glass shelves

Depth (mm)

50

Length (mm)

700-900-1000-1200





PHARMACY WALL PANEL 2

Pharmacy Wall Panel 2

Height (mm)

2000-2200-2400-2600-2800

- LEDs included for all glass shelves

Depth (mm)

50

Length (mm)

700-900-1000-1200





PHARMACY DEC PANEL

PharmacyDEC Panel

Height (mm)

2000-2200-2400-2600-2800

Depth (mm)

50

Length (mm)

700-900-1000-1200

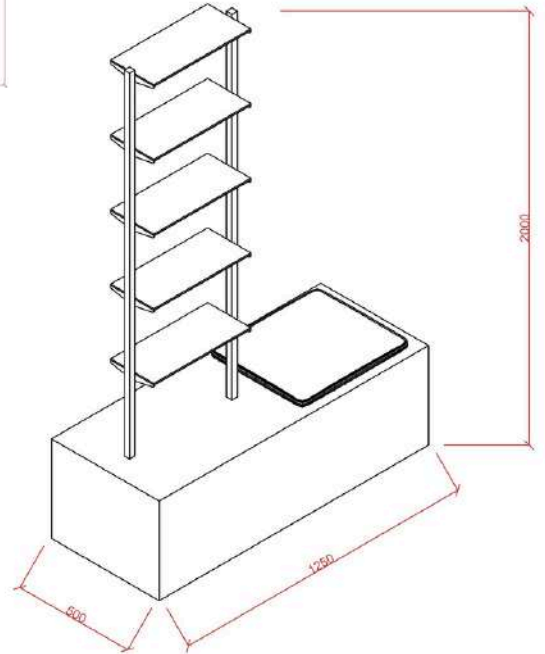
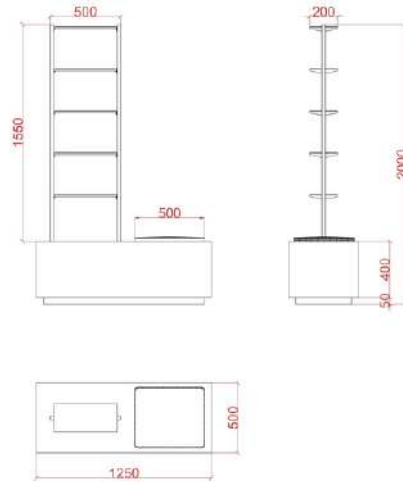
- LEDs included for all glass shelves



SEAT & SHELF

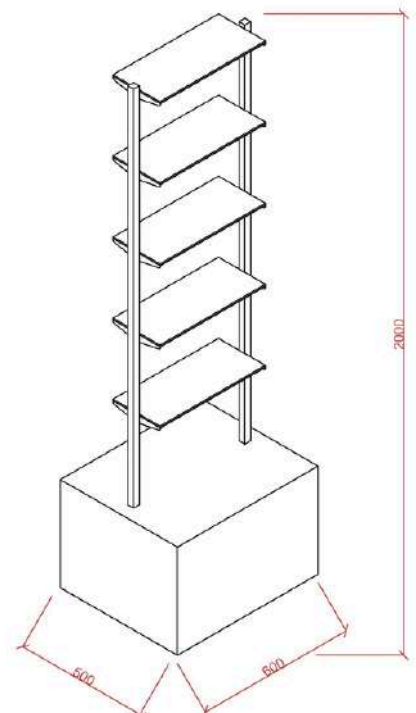
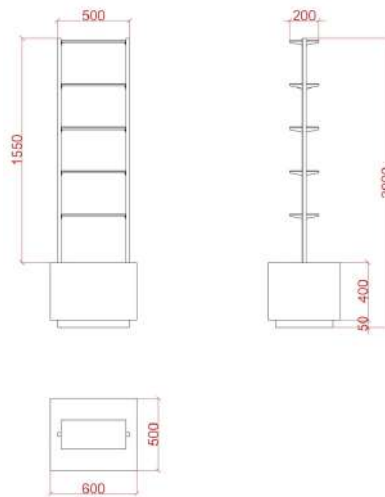
SEAT & SHELF MODULE 1

(hxdx)2000X500X1250mm



SEAT & SHELF MODULE 2

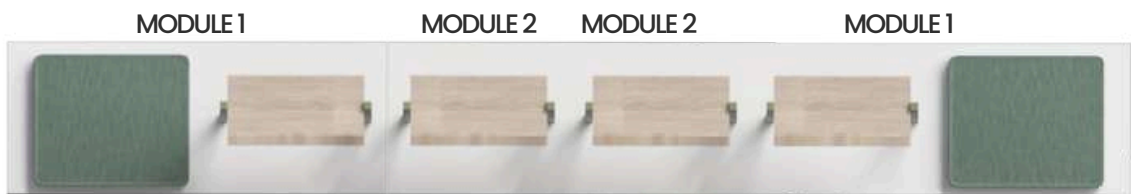
(hxdx)2000X500X600mm



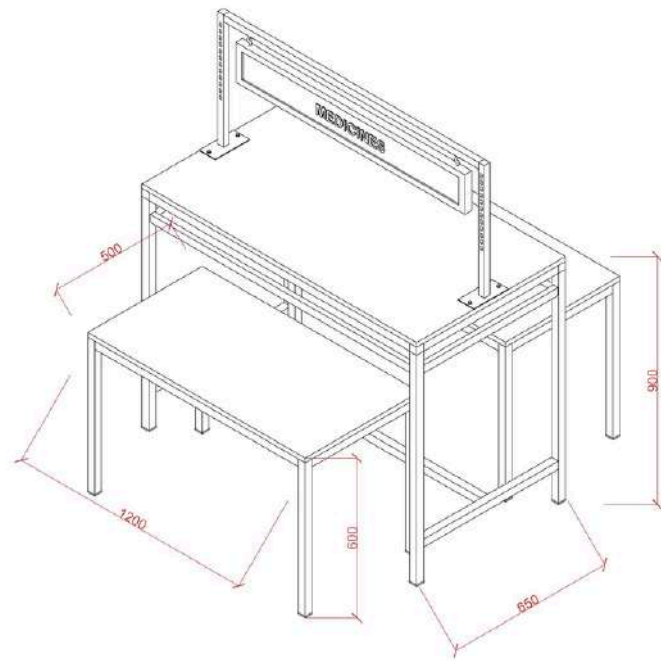
SEAT & SHELF



Usage Recommendations...



Z-GON



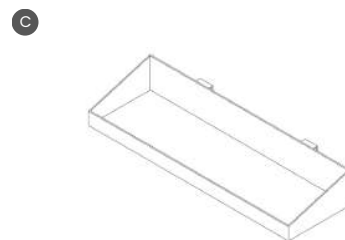
OPTIONAL ACCESSORIES



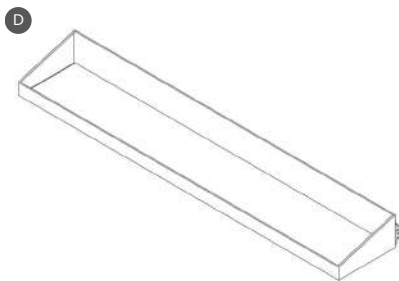
Z-GON BIG TABLE
(hxdx) 900x650x1200 mm



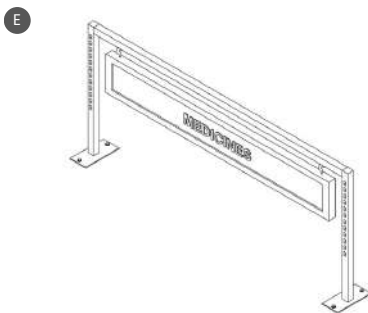
Z-GON SMALL TABLE
(hxdx) 600x500x950 mm



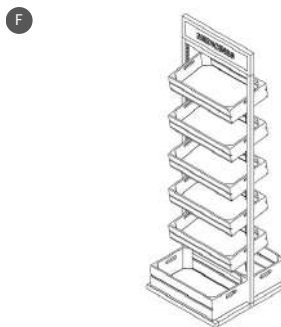
Metal Side Shelf ATG
(dx) 200x650 mm



Metal Front Shelf DG
(dx) 200x1200 mm



Z-GON TOP SIGNATURE
(hx) 500x1200 mm

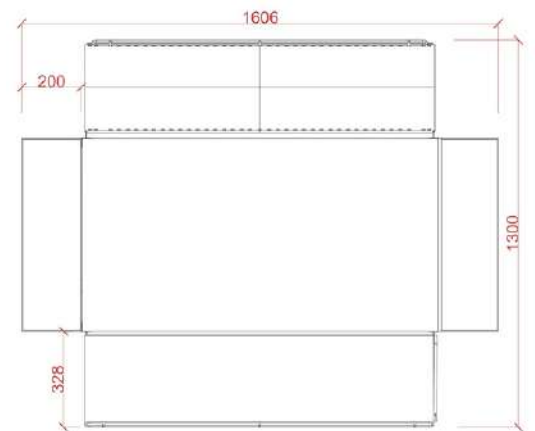
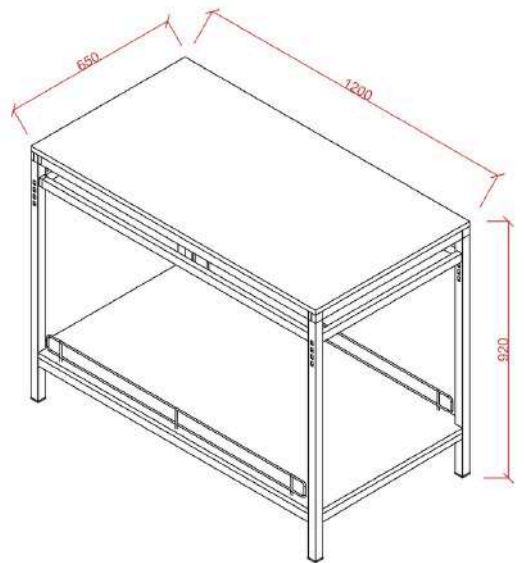


STANDBOX
(hxdx) 1800x600x560 mm

S-GON

S-GON PHARMACY TABLE

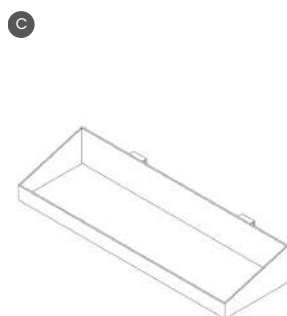
(hxdxl) 920x650x1200 mm



OPTIONAL ACCESSORIES



S-GON TABLE
(hxdxl) 920x650x1200 mm



S-GON Metal Side Shelf ATG
(dxl) 200x650 mm



S-GON WOODEN SHELF
(dxl) 300 x1200 mm



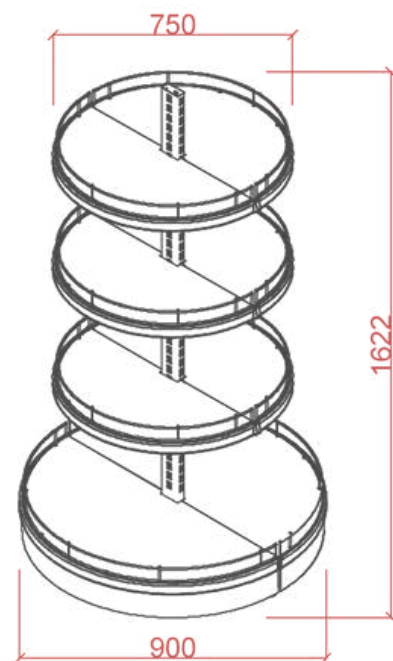
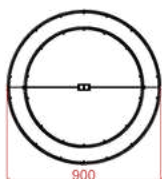
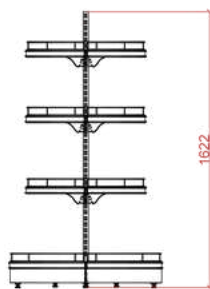
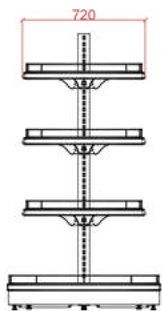
S-GON METAL SHELF
(dxl) 300x1200 mm

PHARMA 360

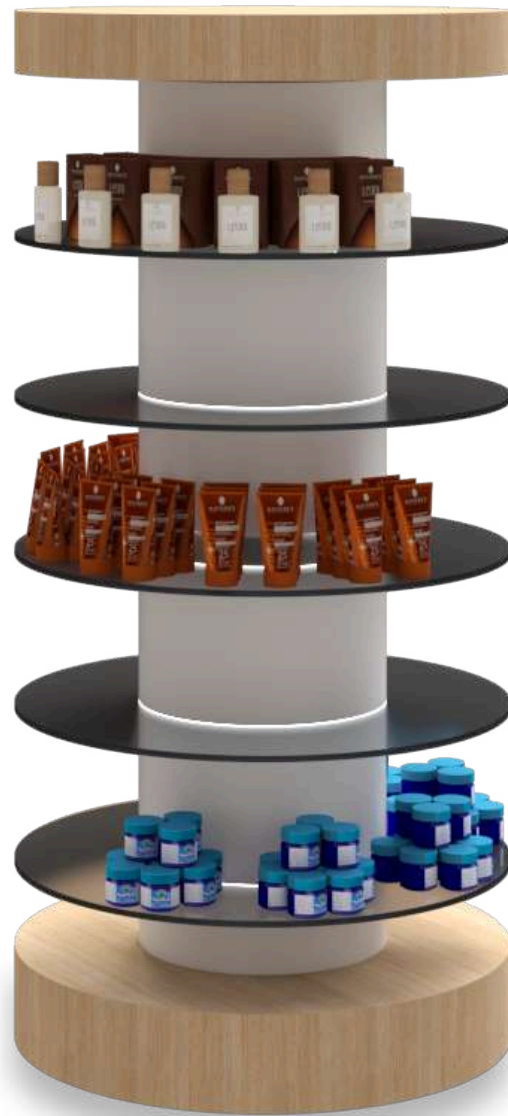


PHARMA 360

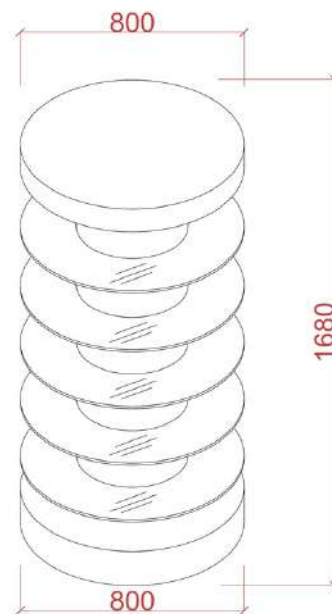
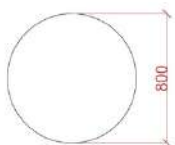
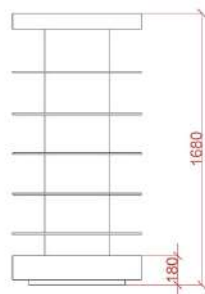
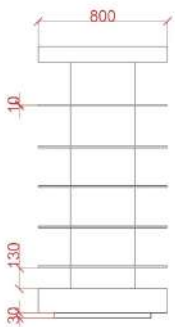
(hxdxl)1622X900X900 mm



DERMO 360



DERMO 360
(hxdx)1680X800X800 mm



HEXAGON



Wooden Hexagon Closed Zigon **H1**

(hxdxl) 900* 500*500 mm

Wooden Hexagon Open Zigon **H2**

(hxdxl) 900* 500*500 mm

Wooden Hexagon Closed Zigon **H3**

(hxdxl) 700* 500*500 mm

Wooden Hexagon Open Zigon **H4**

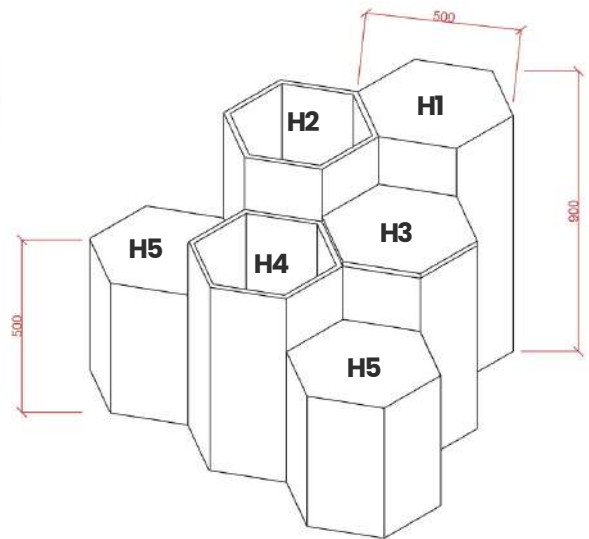
(hxdxl) 700* 500*500 mm

Wooden Hexagon Closed Zigon **H5**

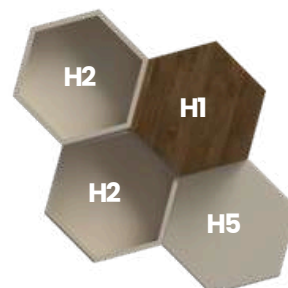
(hxdxl) 500* 500*500 mm

Wooden Hexagon Open Zigon **H6**

(hxdxl) 500* 500*500 mm



Usage Recommendations...

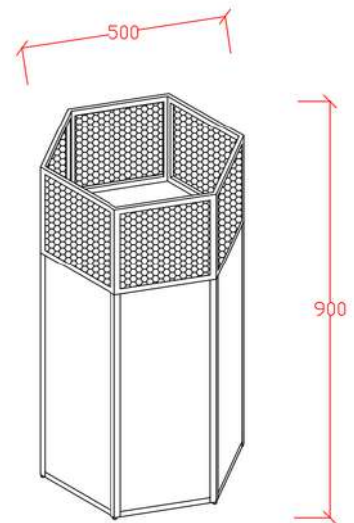
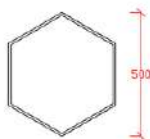
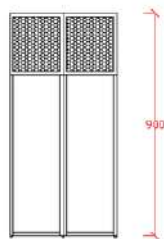
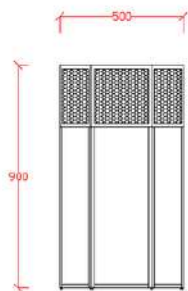


HEXAGON BASKET



HEXAGON BASKET

(hxdx)2000X500X1250mm

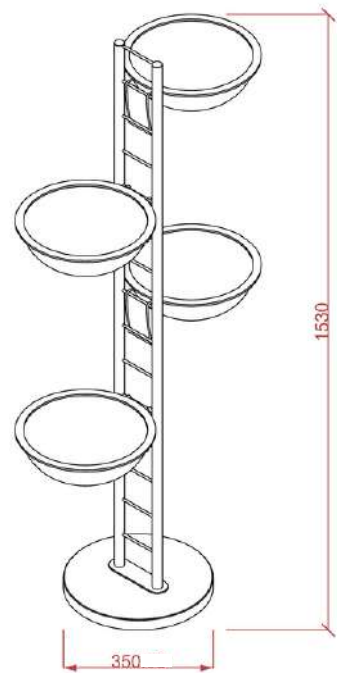
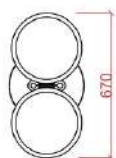
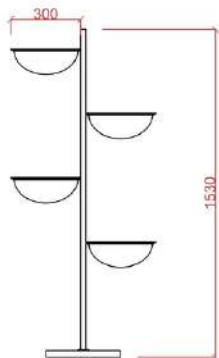


PHARMA PLEXI STAND



PHARMA PLEXI STAND

(hxdx)1530X350X350mm

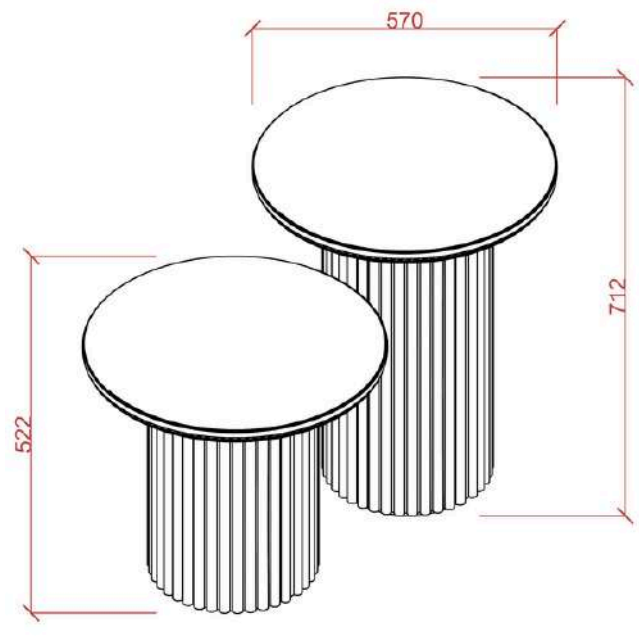
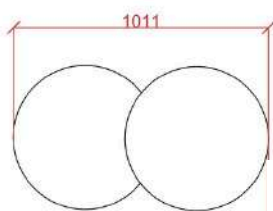
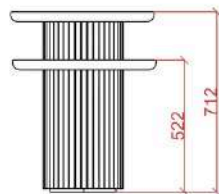
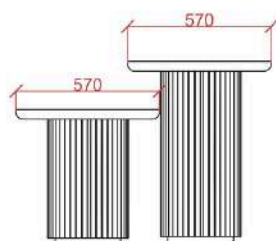


TWIN TABLE



TWIN TABLE

(hxdxl) 712.5X570X1011 mm

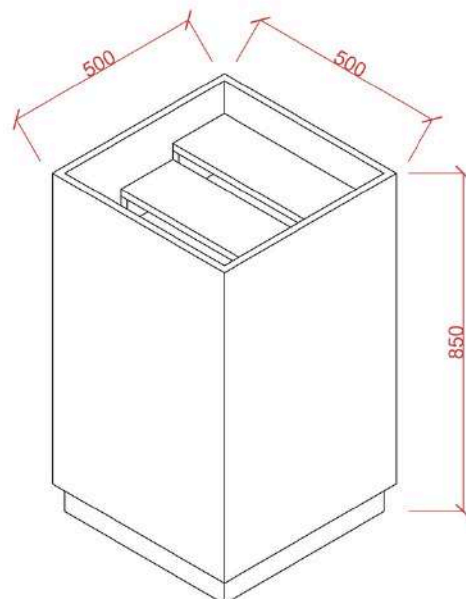
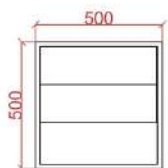
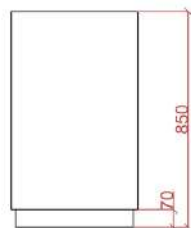
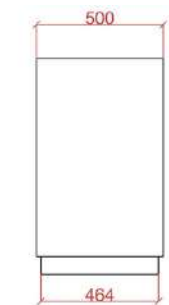


PHARMABOX



PHARMABOX

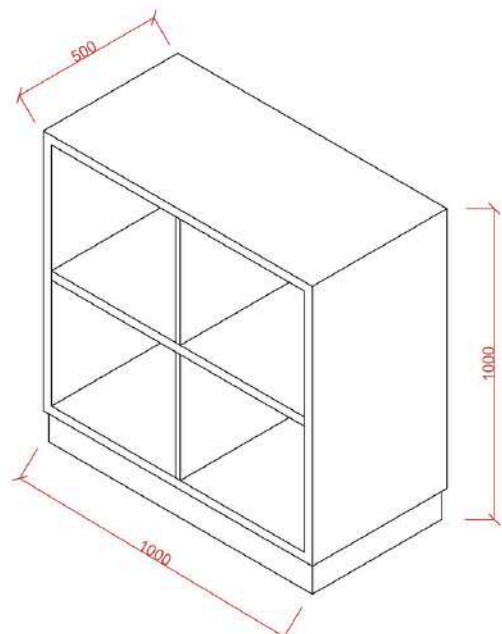
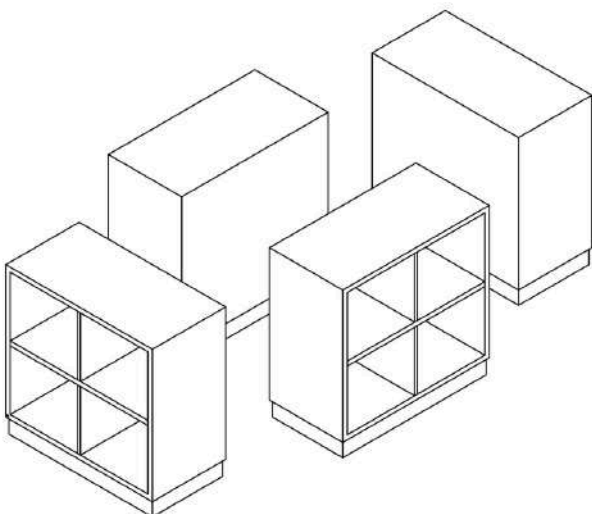
(hxdxl) 850x500x500 mm





PHARMALAND MIDDLE GONDOLA

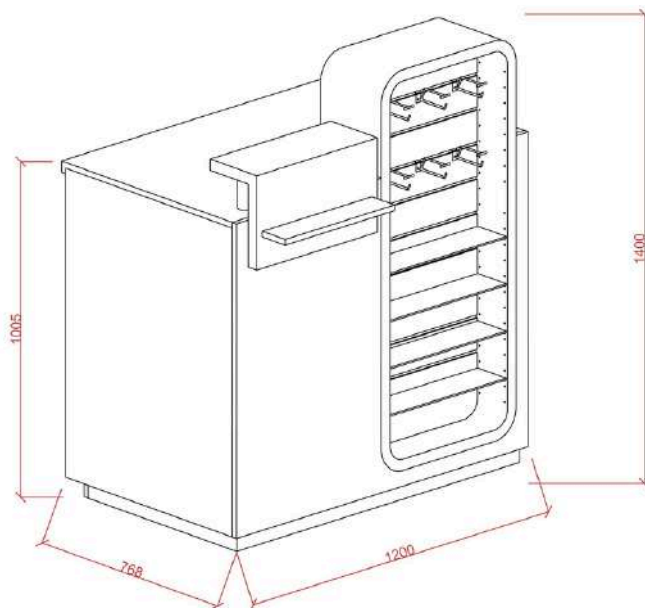
(hxdxl) 1000x500x1000 mm



CASH DESK

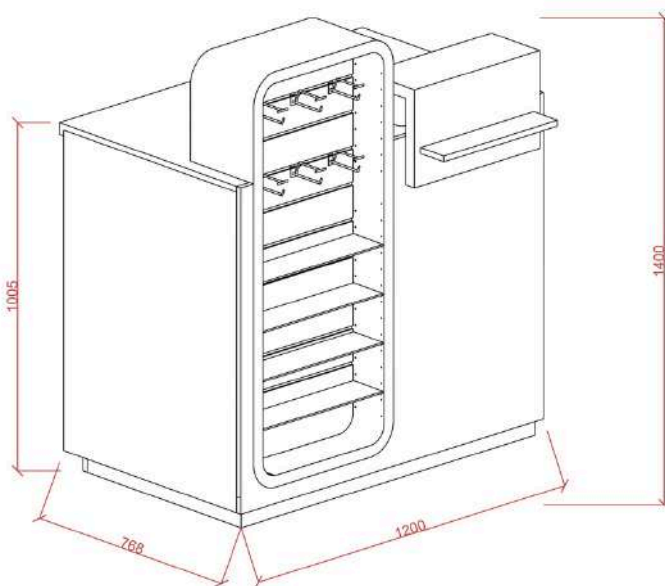
CASH DESK MODULE 1

(hxdx)1400x768x1200mm



CASH DESK MODULE 2

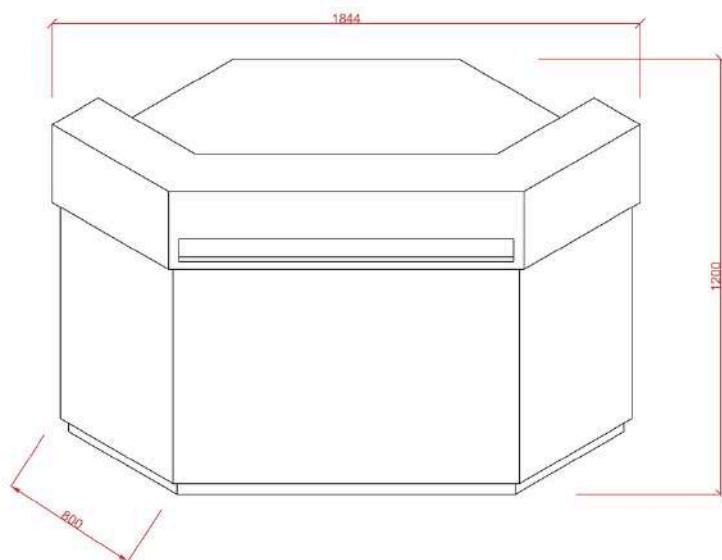
(hxdx)1400x768x1200mm



CASH DESK

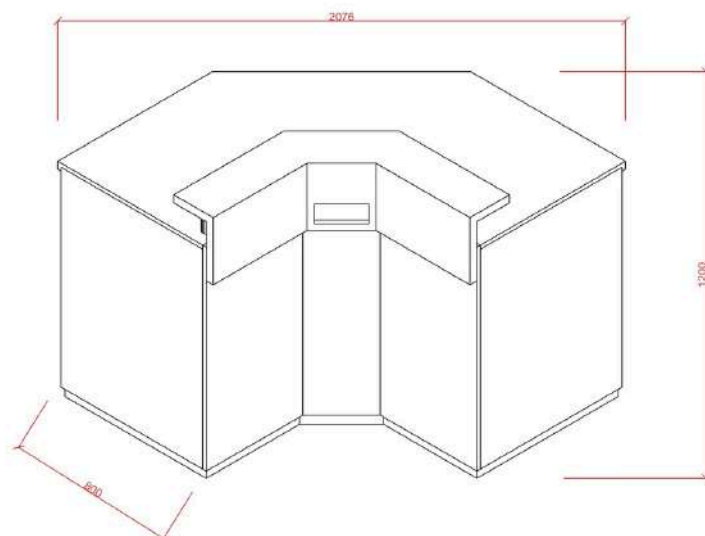
CASH DESK MODULE 3

(hxdx) 1200x768x1844mm

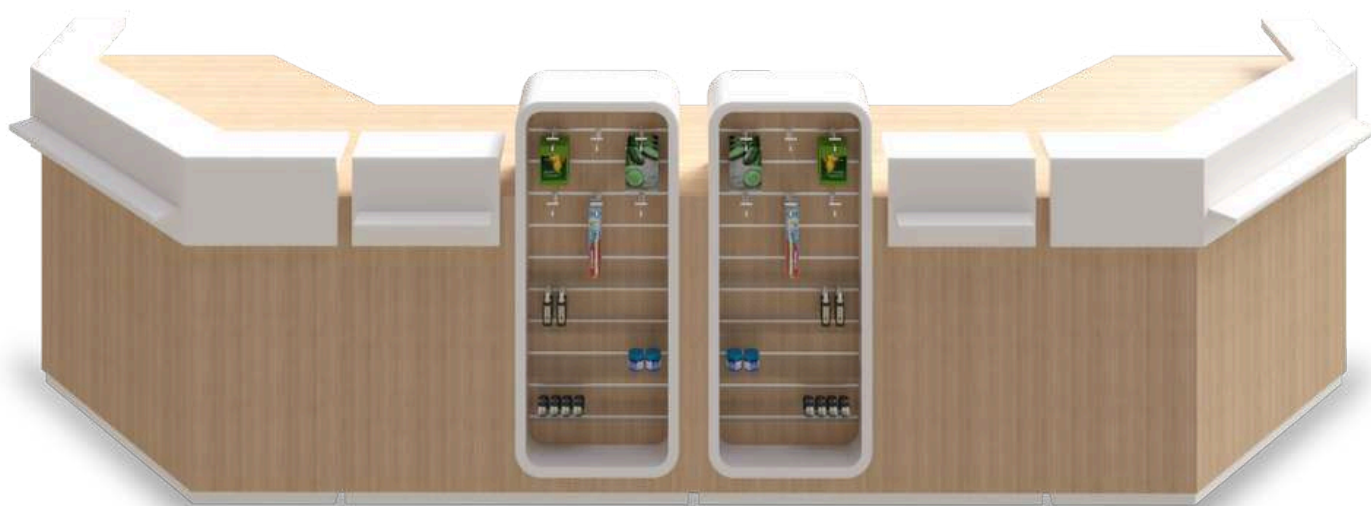


CASH DESK MODULE 4

(hxdx) 1200x768x2076mm



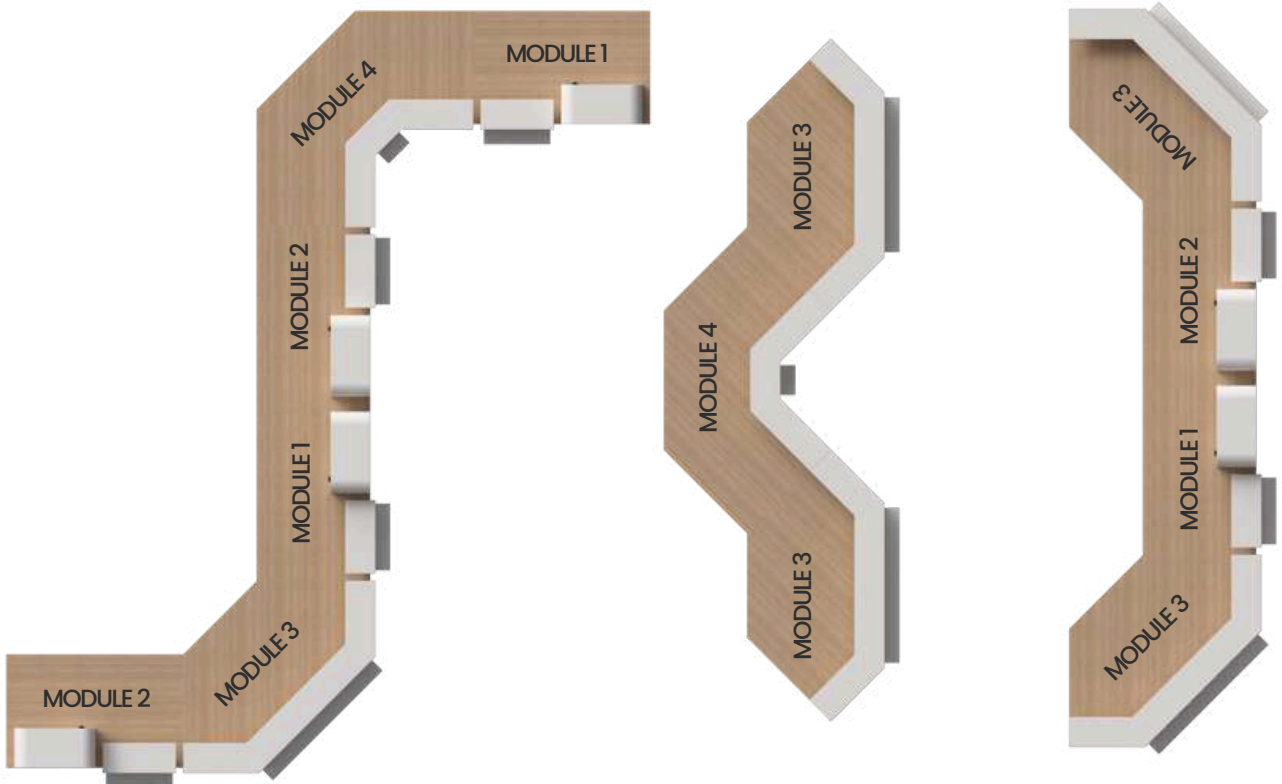
CASH DESK



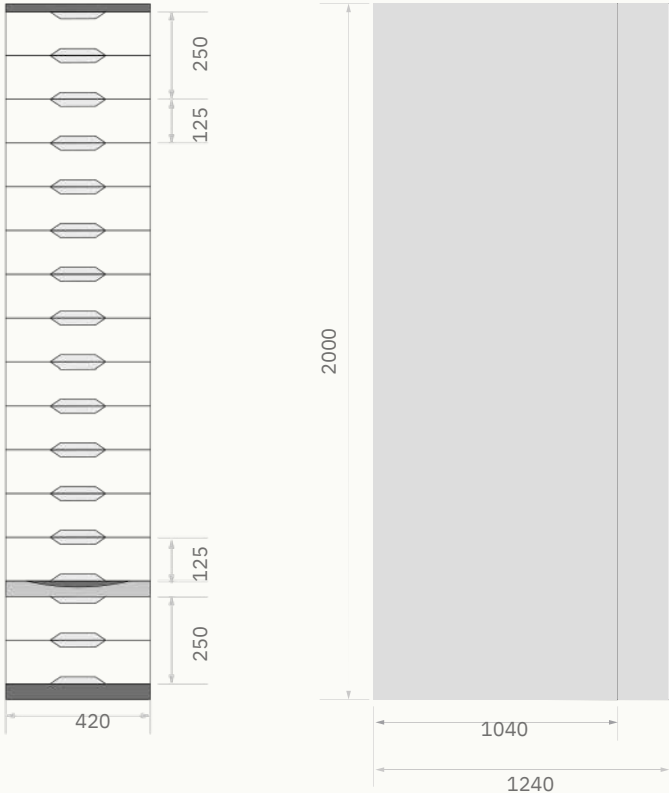
CASH DESK



Usage Recommendations...



FARMARACK DRUGSTORE CABINET



High capacity drug store with **telescopic full swing drawers**. Keep your sales space intact. Easy access to all drugs with telescopic ladder and **labeling system**.

One column has a total of 11 pieces of 125 mm high drawers, 2 pieces of 250 mm high double drawers and a single piece of telescopic ladder.

Farmarack is a modular system. Any desired unit size can be created by adding modules of 420 mm side by side. The side, top and back of the unit are covered by wooden coverings of 18 mm medium-density fiberboard (MDF).

Shipped out as completely disassembled and installed on site www.sovaretail.com.

DIMENSIONS :
 2050 x 1040 x 420 mm
 2050 x 1240 x 420 mm

MAIN COLOR:
 RAL 9003

Single Telescopic Drawer

80 kg load capacity with bearing supported rail.
 Drawers compartments.
 Open drawer depth 900/1100 mm.
 Drawer height: 125 mm.



Double Telescopic Drawer

80 kg load capacity with bearing supported rail.
 Drawers compartments.
 Open drawer depth 900/1100 mm.
 Drawer height: 250 mm.



Telescopic Ladder

Opens/closes with rail mechanism
 120 kg load capacity.



- Drawers can be painted in different colors. Please contact Sova sales staff for alternative colors.

FARMARACK DETAILS



FARMARACK DETAILS

DRUG CAPACITY with real life example

Example medicine: Dikloron

MODULE 100

- **100' Single Drawer Dikloron Layout Example :**
Max Total : 72 Dikloron Capacity
- **1 Unit Total (for 100') :** 792 Dikloron Capacity
- + 2 Serum Drawers



MODULE 120

- **120' Single Drawer Dikloron Layout Example:**
Max Total : 82 Dikloron Capacity
- **1 Unit Total (for 120) :** 902 Dikloron Capacity
- + 2 Serum Drawers



SOVA

SAMPLE

SAMPLE
PHARMACY

PROJECT

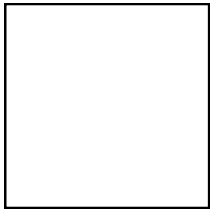
SAMPLE PHARMACY PROJECT MODULES

- A-** S25 Wall System
- B-** S25 Wall Fixed Unit
- C-** S25 Pharmacy Gondola
- D-** Pharmacy Wall Panel 2
- E-** Pharmacy Wall Panel 1
- F-** Pharmacy Dec Panel
- G-** Dynamic System
- H-** Dynamic Gondola
- I-** Farmarack
- J-** S-Gon
- K-** Dermo360
- L-** Z-Gon
- M-** Pharma360
- N-** Pharmabox
- O-** Pharmaland
- P-** Hexagon
- R-** Twin Table
- S-** Hexagon Basket
- T-** Seat & Shelf Module 1
- U-** Seat & Shelf Module 2
- V-** Cash Desk Module 3
- W-** Cash Desk Module 1
- X-** Cash Desk Module 2
- Y-** Cash Desk Module 4
- Z-** Plexi Stand

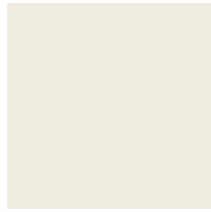


MATERIALS & COLOR OPTIONS

RAL CODES



RAL 9016



RAL 9010



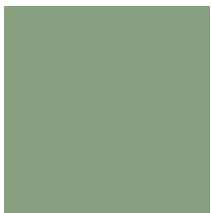
RAL 7030



RAL 7040



RAL 7016



RAL 6021



RAL 6018



RAL 1021

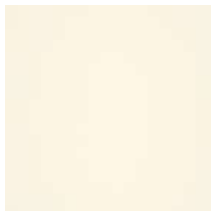


RAL 1014



RAL 5012

WOOD & OTHER



WP 01



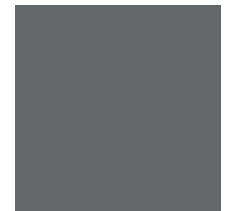
WP 02



WP 03



WP 04



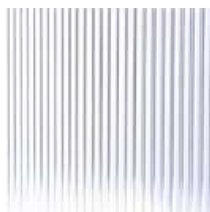
WP 05



WP 06



WP 07



PP 01



GLASS



+90 (224) 441 66 61

sova@sovaretail.com

Üçevler Mah. Ertuğrul Cad.
No:89A, Nilüfer, 16120
Bursa, Türkiye

SOVA