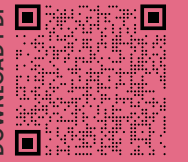


# FLEXIBLE AND CUSTOMIZED DESIGNS



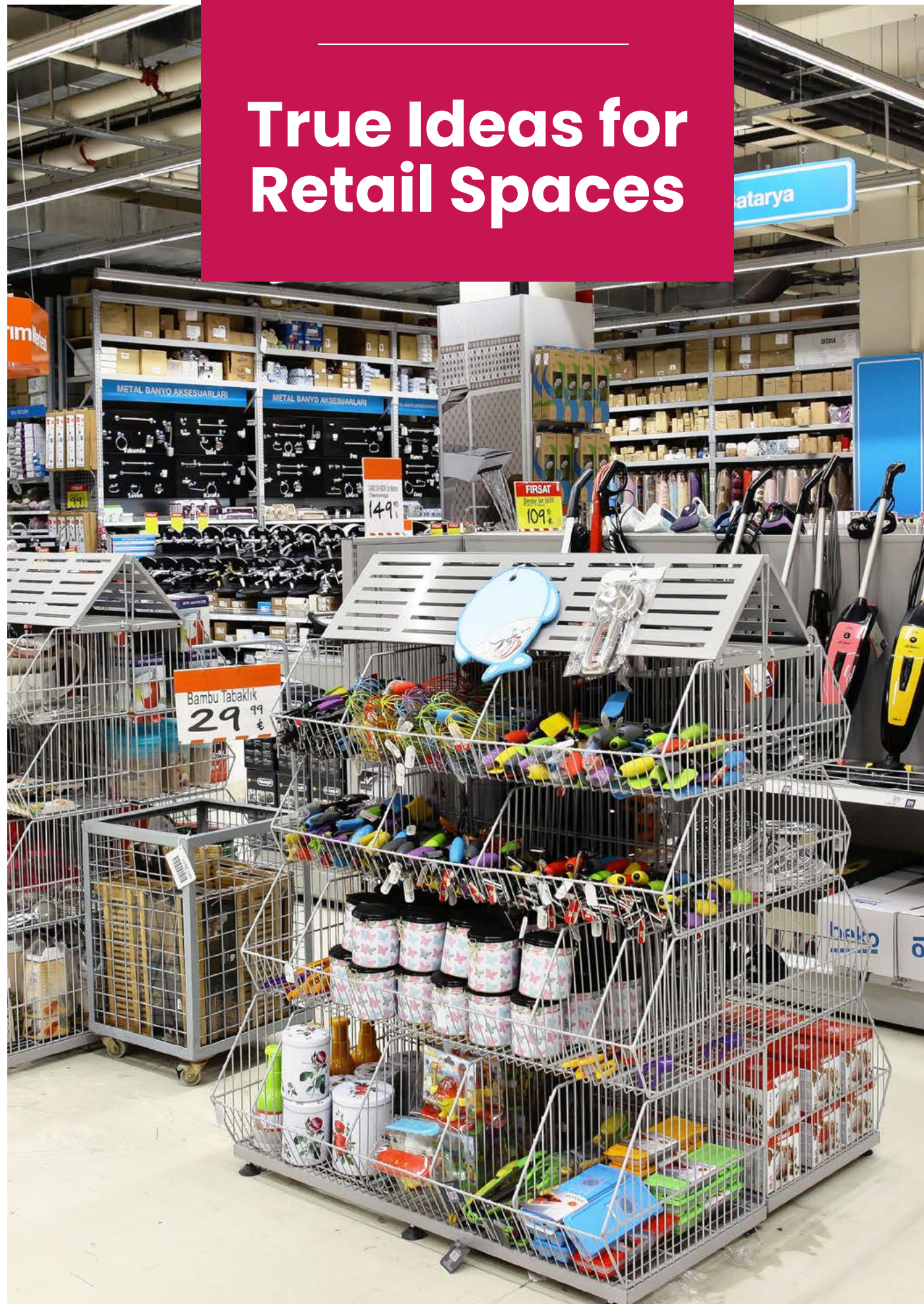
5

## RETAIL EQUIPMENT & ACCESSORIES

**SOVA**



# True Ideas for Retail Spaces



HELLO.

WE'RE **SOVA**.

WE'RE HERE TO OFFER YOU A NEW **PATH**.

WE **DREAM** RETAIL WE **DESIGN** RETAIL WE **PLAN**  
RETAIL WE **KNOW** RETAIL WE **UNDERSTAND** RETAIL WE  
**EXPERIENCE** RETAIL WE **THINK** RETAIL WE **MAKE** RETAIL  
WE **ADMIRE** RETAIL

WE **LOVE** RETAIL

we're | **SOVA**  
**RETAIL**

WELCOME TO **SOVA**





A close-up, high-contrast photograph of a creature's face, likely a Wampa from Star Wars. The creature has thick, brown, shaggy fur and two large, prominent eyes with bright orange irises and black pupils. The lighting is dramatic, highlighting the texture of the fur and the intensity of the eyes.

we're | **SOVA**  
**RETAIL**

**CHOOSE YOUR PATH**



## INNOVATIVE APPROACH

We follow all the developments in the retail world. We strive to provide better quality products and services to our customers.

We aim to increase our customers' profitability by running ahead of the market with innovative solutions.

# A PROJECT STORY

## DREAM TO REALITY STEP BY STEP

Brands that will reach for the future are those that have stores which can touch the soul of the consumer. We use our expertise and our endless energy to design "unique" stores for you.

PROVIDING  
SOLUTIONS  
FOR EVERY  
KIND OF  
RETAILING,  
SOVA  
REALIZES  
YOUR  
STORE  
WITH THE  
RIGHT LAYOUT,  
BACKED UP  
BY A  
WIDE  
RANGE  
OF  
EQUIPMENT  
AND  
ACCESSORIES

## DISCOVER OUR PRODUCT RANGE FOR ADDITIONAL VALUE IN YOUR BUSINESS

- 1 SPECIALTY RETAIL DISPLAYS
- 2 DYNAMIC! DISPLAY SYSTEMS
- 3 PHARMACY DISPLAY FIXTURES
- 4 SHELVING & STORAGE RACKS
- 5 RETAIL EQUIPMENT & ACCESSORIES**
  - HANDLING EQUIPMENT .....8
  - DISPLAY EQUIPMENT ..... 28
  - DISPLAY ACCESSORIES .....48

SCAN TO  
DOWNLOAD 





# DISPLAY EQUIPMENT



# DELTA

## DISPLAY BASKET



2 swivel – 2 locked  
100 mm caster

DISPLAY EQUIPMENT

# OMICRON

## DISPLAY BASKET



Offers flexible and powerful presentation with its double-layer basket. Higher mobility with optional wheels. Easy display of prices with the price tag slots on the sides of the basket.

A very handy **top basket**, compatible with **ALFA, BETA, GAMA and DELTA** model display baskets. Additional presentation space with 2 additional shelves. Easy display of prices with included channels for price labels. With its symmetric structure, it can be used from both sides of the basket.



**DISPLAY BASKET (H x D x L)**  
850 x 600 x 800 mm  
850 x 800 x 1200 mm



**TOP BASKET SET (H x D x L)**  
700 x 320 x 800 mm  
700 x 320 x 1200 mm

OMICRON offers the opportunity to display products at different levels with desired depths. It challenges heavy loads with its strong profile lower frame (supported models). With its optional wheels, it can be easily moved to any location in the store.

**DISPLAY BASKET (H x D x L)**  
850 x 600 x 800 mm  
850 x 800 x 1200 mm

# ALFA

## DISPLAY BASKET

# BETA

## DISPLAY BASKET

DISPLAY EQUIPMENT



ALFA offers the opportunity to display products at different levels with desired depths. It challenges heavy loads with its strong profile lower frame (supported models). With its optional wheels, it can be easily moved to any location in the store.

### DISPLAY BASKET (H x D x L)

- 850 x 400 x 600 mm
- 850 x 600 x 800 mm
- 850 x 800 x 800 mm
- 850 x 800 x 1200 mm



Wheeled Foot



Supported Foot

Thanks to the 4-levels adjustable wire shelf of the display basket BETA, it's possible to adjust the presentation depth for different products. With optional lower profile frame, this basket can also handle heavier loads. The optional mobile version with wheels can be easily moved to any desired location in the store.

### DISPLAY BASKET (H x D x L)

- 850 x 600 x 800 mm
- 850 x 800 x 800 mm
- 850 x 800 x 1200 mm



Wheeled Foot



Supported Foot



# GAMA

## DISPLAY BASKET

# SIGMA

## DISPLAY BASKET

DISPLAY EQUIPMENT



Display basket GAMA offers the deepest presentation option in this range. The wire shelf can be adjusted at 5-levels of depth. The lower profile frame (optional) helps GAMA handle heavy loads. Wheels are also available for higher mobility in the store.

### DISPLAY BASKET (H x D x L)

- 850 x 600 x 800 mm
- 850 x 800 x 800 mm
- 850 x 800 x 1200 mm



Wheeled Foot



Supported Foot

Offers a high capacity with its deep basket and strong profile legs. Optional wheels add mobility in the store.

Basket depth: 720 mm.  
6-levels adjustable wire shelf.

### DISPLAY BASKET (H x D x L)

- 860 x 450 x 900 mm
- 860 x 600 x 1000 mm



# MEGA

## DISPLAY BASKET



Solid built, strong and high capacity display basket. Smaller spacing of the wire grid offers convenience in presenting smaller products. Wheels are standard, giving the basket a higher mobility. The L-shaped post is used to hang the price labels/tags.

### DISPLAY BASKET (H x D x L)

630 x 600 x 1000 mm

630 x 800 x 1200 mm

# EXTRA

## DISPLAY BASKET



Provides an extra presentation space with the adjustable top basket shelf. Powerful presentation with its profile lower frame and deep basket. Offers mobility with optional wheels.

### DISPLAY BASKET (H x D x L)

1400 x 600 x 800 mm

1400 x 800 x 800 mm



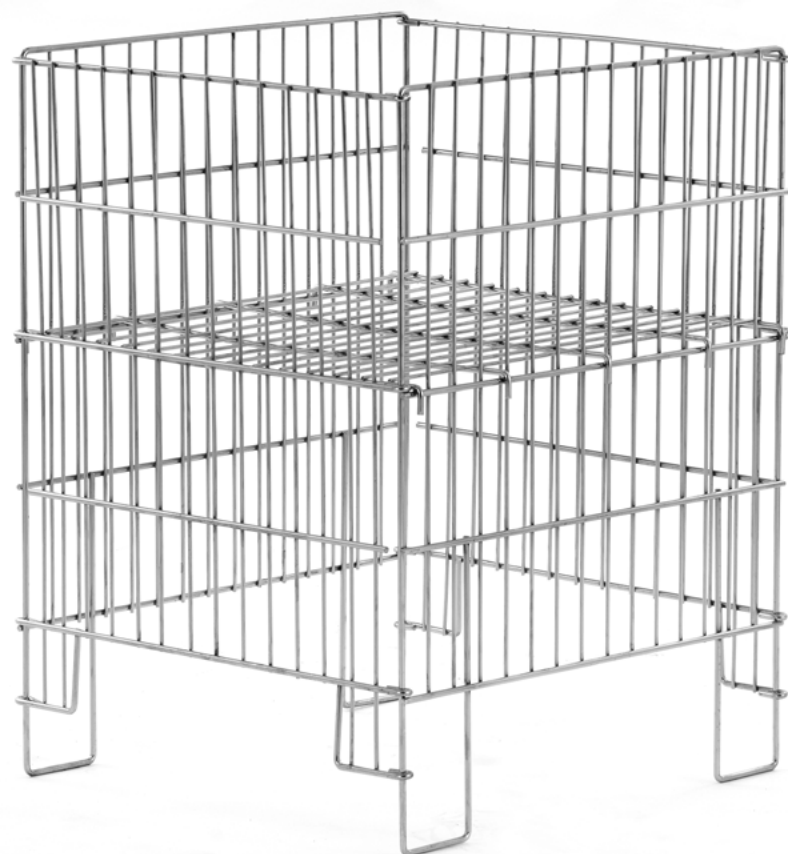
# MICRON

## DISPLAY BASKET

# ZETA

## DISPLAY BASKET

DISPLAY EQUIPMENT



With its fully foldable structure, this basket does not occupy any space in the warehouse when not in use. Offers a flexible presentation with 2 alternative sizes. The shelf can be adjusted at 4-levels according to the product to be displayed.

### DISPLAY BASKET (H x D x L)

800 x 530 x 530 mm

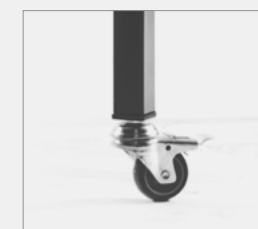
800 x 800 x 800 mm

ZETA provides an extra presentation space with the adjustable top basket shelf. Powerful presentation with its profile lower frame and deep basket. With its optional wheels, it can be easily moved to any location in the store.

### DISPLAY BASKET (H x D x L)

850 x 600 x 800 mm

850 x 800 x 1200 mm

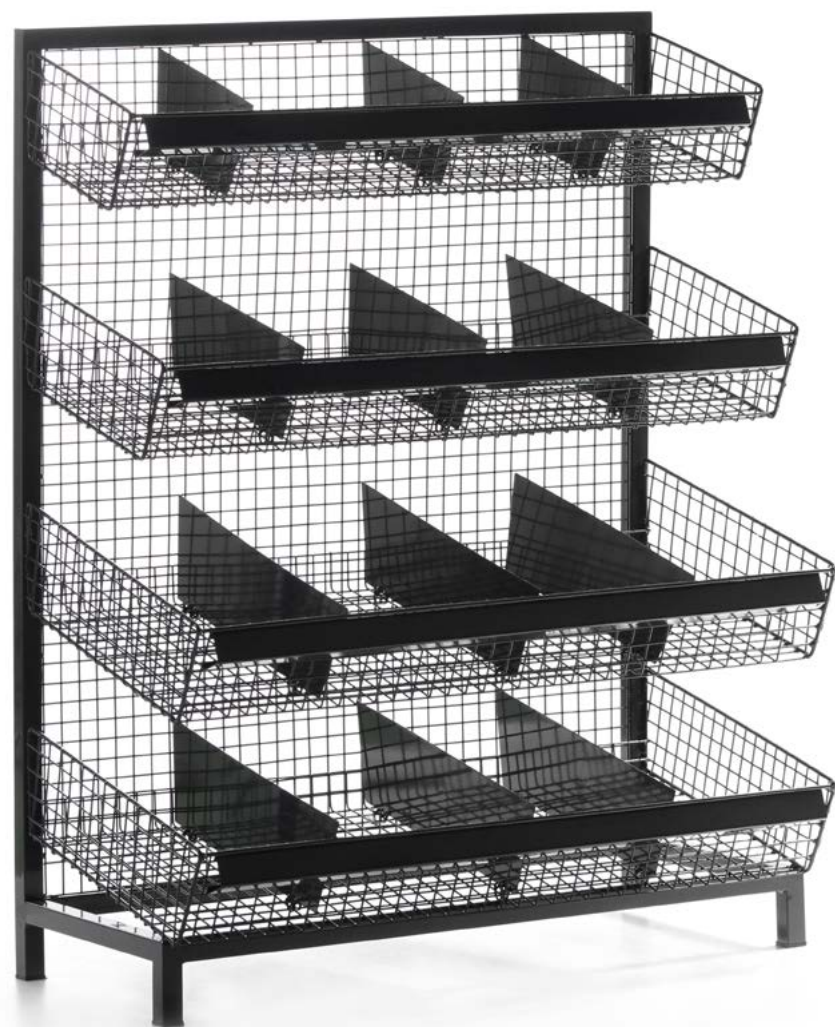


Wheeled Foot



# 4 BASKET

DISPLAY UNIT



An efficient presentation option with strong profile body and dense wire basket shelves. 4 different size baskets are welded to the body. Possible to use as a gondola by placing 2 units back-to-back.

**DISPLAY UNIT (H x D x L)**

1420 x 400 x 1200 mm

**DISPLAY UNIT SEPERATOR (H x D)**

200 x 300 mm

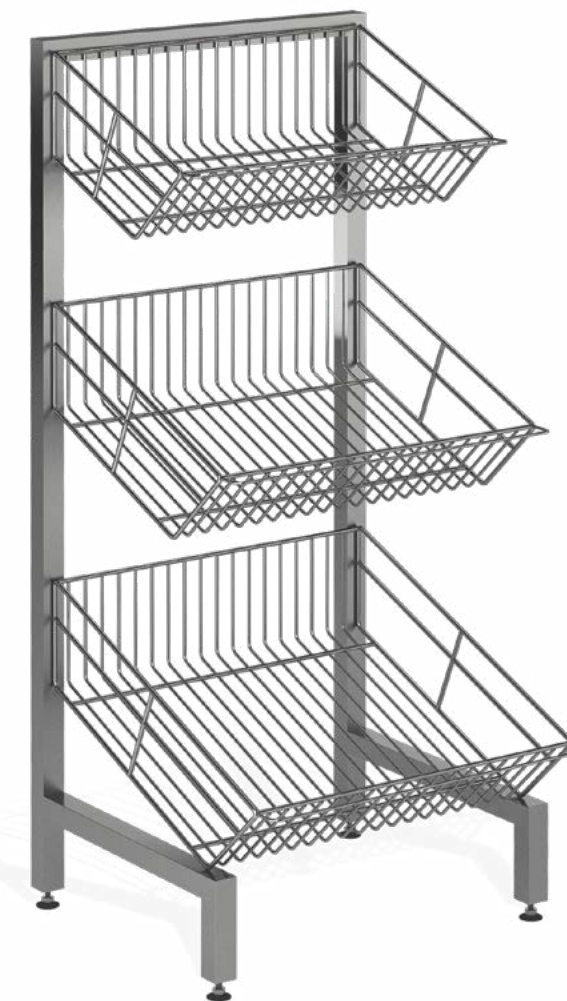
200 x 400 mm



Seperator

# 3 BASKET

DISPLAY UNIT



3 different size basket shelves for displaying different products. Suitable to be used at any location in the store, thanks to its small size. 2 units can be placed back-to-back to form a two-way display unit.

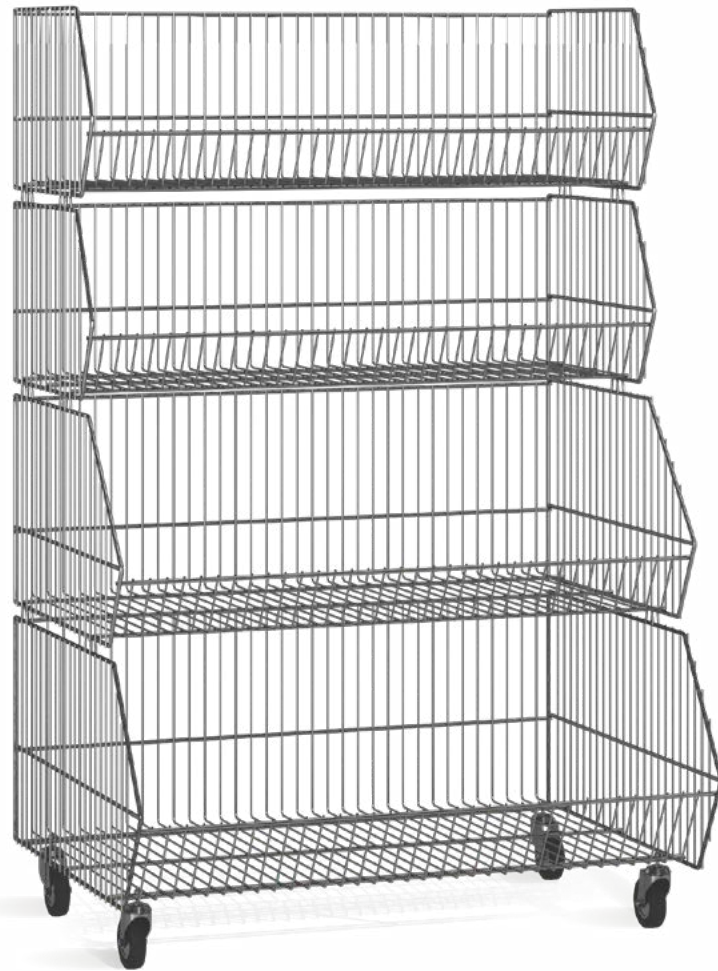
**DISPLAY UNIT (H x D x L)**

1130 x 400 x 500 mm



# STEPPED WIRE

## BASKET RACK



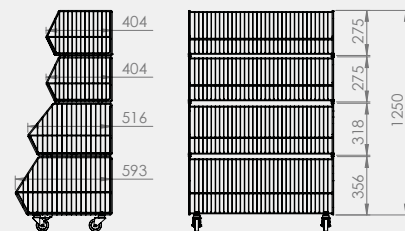
A handy basket rack with baskets having different sizes (smaller depths at the top). High mobility with wheels fixed on the bottom basket.

### WIRE WHEELED BASKET (H x D x L)

- 356 x 593 x 700 mm
- 356 x 593 x 1000 mm

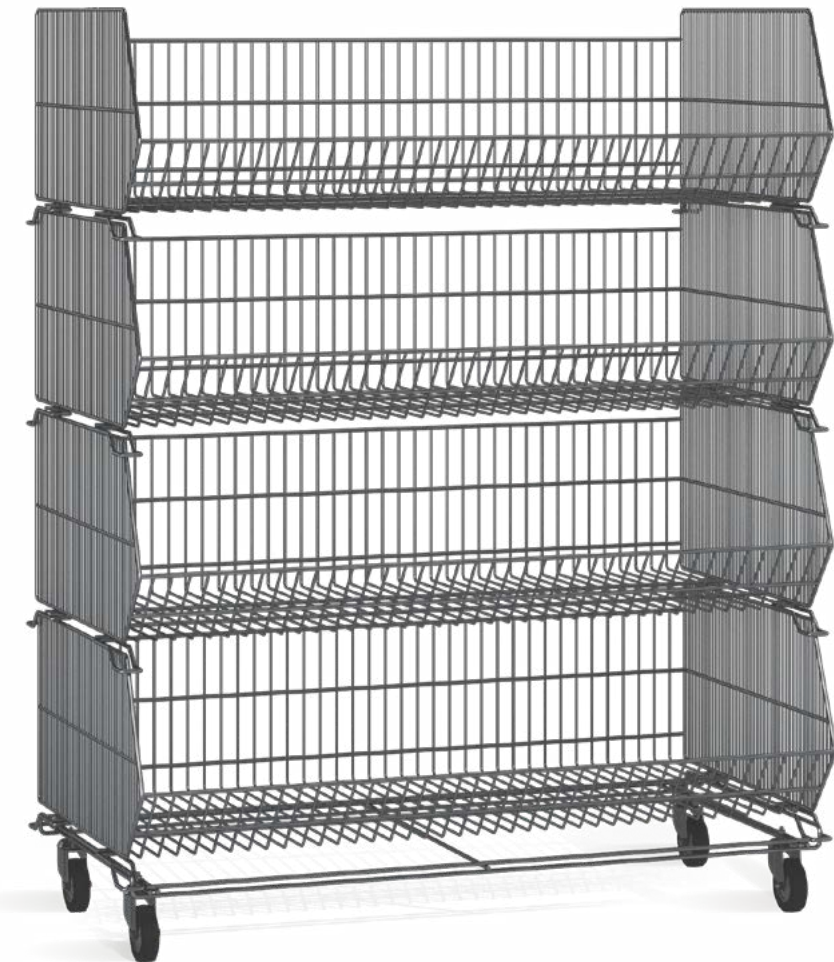
### STEPPED WIRE TOP BASKET (H x D x L)

- 318 x 516 x 700 mm
- 318 x 516 x 1000 mm
- 275 x 404 x 700 mm
- 275 x 404 x 1000 mm



# MULTI-TIER

## BASKET RACK



Suitable to be used in every spot in the store, this rack set offers high capacity and mobility. Each tier has a loading capacity of 100 kg.

### RACK BASE (H x D x L)      WIRE BASKET RACK (H x D x L)

- 97 x 497 x 1000 mm      264 x 497 x 1000 mm
- 97 x 497 x 1250 mm      264 x 497 x 1250 mm



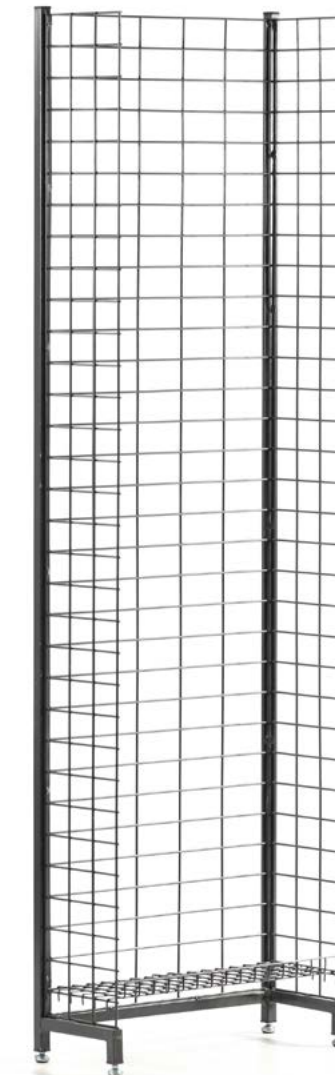
# 4 BASKET ECO

DISPLAY UNIT

# WIRE SIDE

GONDOLA

DISPLAY EQUIPMENT



An efficient presentation option with strong profile body and dense wire basket shelves. Suitable to be used at any location in the store, thanks to its small size. Possible to use as a gondola by placing 2 units back-to-back.

**ONE SIDED ECO DISPLAY UNIT (H x D x L)**

1210 x 635 x 500 mm

1210 x 635 x 700 mm

**DOUBLE SIDED ECO DISPLAY UNIT (H x D x L)**

1210 x 1270 x 500 mm

1210 x 1270 x 700 mm

The wire stand used on the side of the gondola heads gives you a transparent product presentation and makes your products stand out.

**WIRE BODY (D x L)**

1850 x 200 x 400 mm

1850 x 200 x 500 mm

2060 x 200 x 400 mm

2060 x 200 x 500 mm

**WIRE HOOK WITH LABEL**

150 mm



**WIRE SHELF (D x L)**

180 x 400 mm

180 x 500 mm





# METAL SIDE GONDOLA



An elegant side stand used at the edge of the gondola heads, offering an extra display area.

**SIDE BODY (H x D x L)**

- 1850 x 200 x 400 mm
- 1850 x 200 x 500 mm
- 2060 x 200 x 400 mm
- 2060 x 200 x 500 mm

**SIDE SHELF (D x L)**

- 180 x 400 mm
- 180 x 500 mm

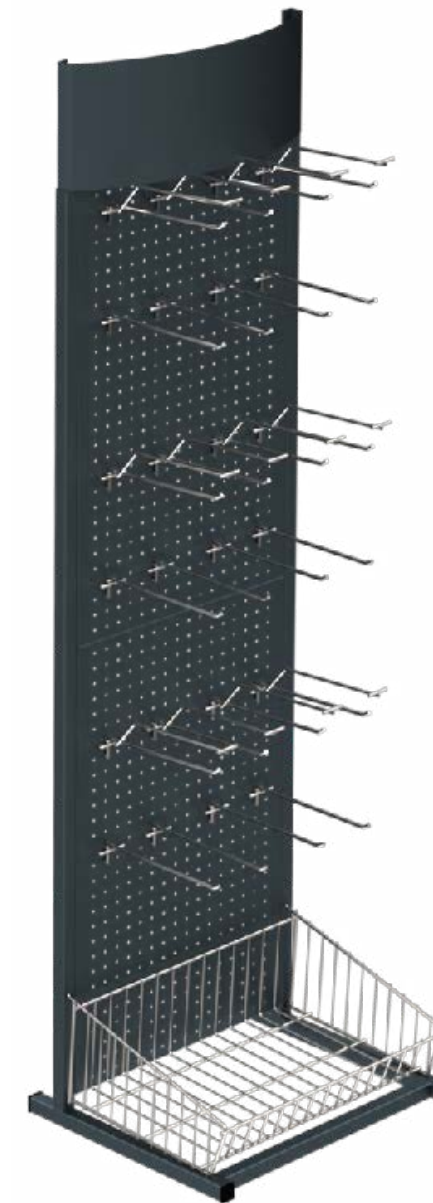
**WIRE HOOK DSG (D)**

- 150 mm

**WIRE HOOK WITH LABEL DSG (D)**

- 150 mm

# UNIVERSAL PRODUCT STAND



A modular and universal stand that can be used to display any type of product. Present your brand's logo at the top to differentiate displayed products from the others. Includes a handy basket shelf at the bottom. A perfect stand for presentation with wire hooks.

**STAND BODY (H x D x L)**

- 2015 x 500 x 750 mm
- 2015 x 500 x 950 mm

**STAND BASKET (D x L)**

- 500 x 750 mm
- 500 x 950 mm

**WIRE HOOK WITH LABEL DSG (D)**

- 250 mm
- 300 mm



**DISPLAY**  
ACCESSORIES



## CONNECTION TYPES

### ACCESSORIES FOR PERFORATED PANELS (DSG)

Accessories that are used on metal panels which are named as “perforated back panels” or “pegboards” in retail shelving systems. There are 3 models of this type of accessories which are all used on the same perforated panel.



- DSG** The most widely used standard model.
- DSG-K** These can be locked after fixing on the panel.
- DSG-P** Model with a metal pin, used in special/custom projects.

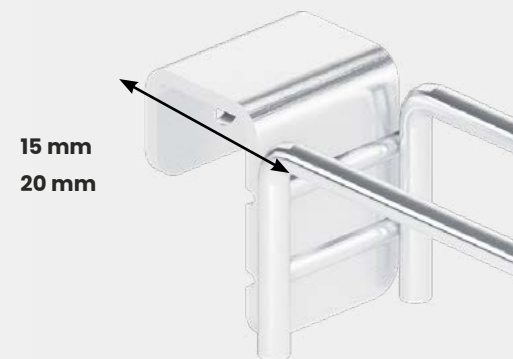


### ACCESSORIES FOR PROFILE BAR (ATG)

Accessories that are fitted on the profile bars (accessory holders) used in retail shelving systems.

ATG model is compatible with plain profile bars. It's a standard and common model. Plain profile bar depth (thickness) can be 15 mm or 20 mm.

OTG model is compatible with oval profile bars. It's not a widely preferred model and used in custom/special projects.



**ATG type accessories' dimensions vary depending on the profile bar's. For 15×30 mm profile bar, the back of the accessory (fitting point) will be 15 mm, for 20×30 mm and 20×40 mm profile bars, the back of the accessory (fitting-point) will be 20 mm. Pay 15 mm attention when purchasing such accessories.**

### ACCESSORIES FOR SLATWALL PANELS (KPG)

Accessories that are used on wooden slatwall panels. Except for some special cases, these panels are universal.



### ACCESSORIES FOR WIRE MESH PANELS (MG)

These accessories are compatible with widely used 50×50 mm grids of the wire mesh panels. They can also be configured for custom grid sizes.



### ACCESSORIES FOR UPRIGHTS (DG)

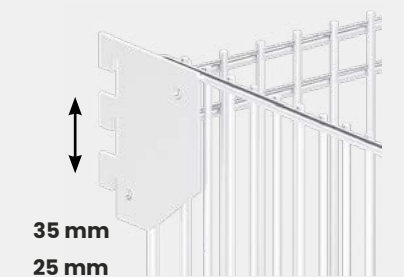
Accessories that are fitted on the profile uprights of the retail shelving systems. The size of the fitting part of these accessories vary based on the pitch of the upright.

Models with a single fixing ledge are usually compatible with uprights of any pitch size.

These accessories are compatible with all slatwall panel models.



For accessories with more than one fixing ledge, the pitch size of the upright should be noted. The fixing ledges are manufactured according to that pitch size. (Our fixing ledges are manufactured for 25 mm and 35 mm pitch sizes.)



# WIRE HOOKS



**LOCKED WIRE HOOK DSG-K DOUBLE**

**(dxØ)**  
200 mm - Ø4  
300 mm - Ø5  
400 mm - Ø5



**LOCKED WIRE HOOK DSG-K WITH LABEL**

**(dxØ)**  
200 mm - Ø5  
300 mm - Ø6  
400 mm - Ø6



**LOCKED WIRE HOOK DSG-K**

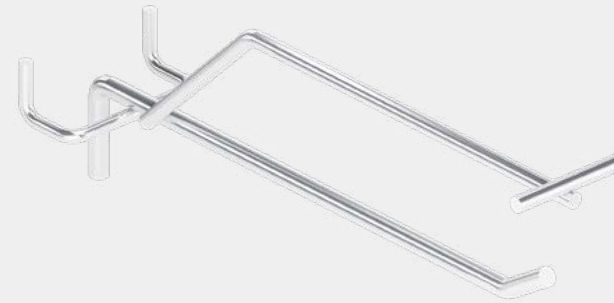
**(dxØ)**  
200 mm - Ø5  
300 mm - Ø6  
400 mm - Ø6

# WIRE HOOKS



**WIRE HOOK DSG**

**(dxØ)**  
150 mm - Ø5  
200 mm - Ø5  
250 mm - Ø6  
300 mm - Ø6



**WIRE HOOK DSG WITH LABEL**

**(dxØ)**  
150 mm - Ø5  
200 mm - Ø5  
250 mm - Ø6  
300 mm - Ø6



**WIRE HOOK DSG DOUBLE**

**(dxØ)**  
150 mm - Ø4  
200 mm - Ø4  
250 mm - Ø5  
300 mm - Ø5  
400 mm - Ø5



**WIRE HOOK DSG DOUBLE WITH LABEL**

**(dxØ)**  
150 mm - Ø4  
200 mm - Ø4  
250 mm - Ø5  
300 mm - Ø5  
400 mm - Ø5



## WIRE HOOKS



WIRE HOOK ATG

(dxØ)

- 150 mm - Ø5
- 200 mm - Ø5
- 250 mm - Ø6
- 300 mm - Ø6
- 400 mm - Ø8

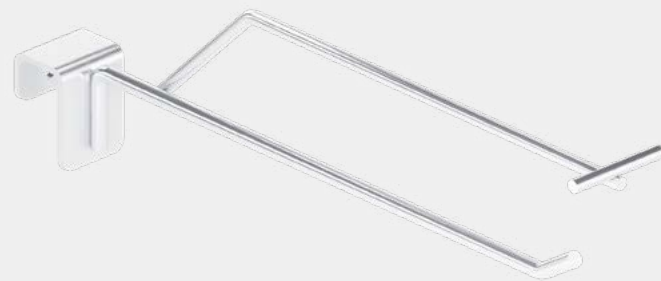
## WIRE HOOKS



WIRE HOOK KPG

(dxØ)

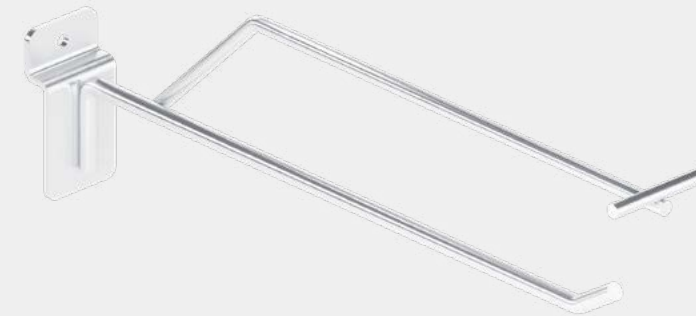
- 150 mm - Ø5
- 200 mm - Ø5
- 250 mm - Ø6
- 300 mm - Ø6
- 400 mm - Ø6



WIRE HOOK ATG WITH LABEL

(dxØ)

- 150 mm - Ø5
- 200 mm - Ø5
- 250 mm - Ø6
- 300 mm - Ø6
- 400 mm - Ø8



WIRE HOOK KPG WITH LABEL

(dxØ)

- 150 mm - Ø5
- 200 mm - Ø5
- 250 mm - Ø6
- 300 mm - Ø6
- 400 mm - Ø6



WIRE HOOK ATG DOUBLE

(dxØ)

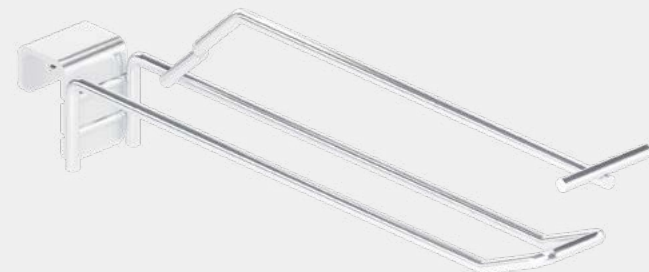
- 150 mm - Ø4
- 200 mm - Ø4
- 250 mm - Ø5
- 300 mm - Ø5
- 400 mm - Ø5



WIRE HOOK KPG DOUBLE

(dxØ)

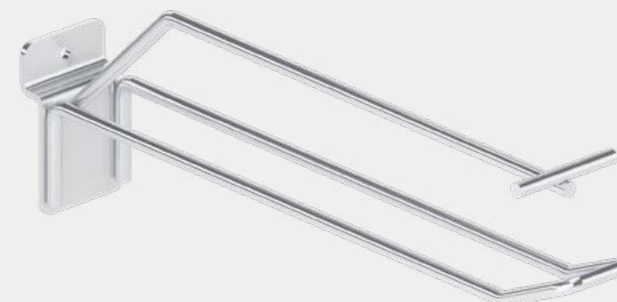
- 150 mm - Ø4
- 200 mm - Ø4
- 250 mm - Ø5
- 300 mm - Ø5
- 400 mm - Ø5



WIRE HOOK ATG DOUBLE WITH LABEL

(dxØ)

- 150 mm - Ø4
- 200 mm - Ø4
- 250 mm - Ø5
- 300 mm - Ø5
- 400 mm - Ø5



WIRE HOOK KPG DOUBLE WITH LABEL

(dxØ)

- 150 mm - Ø4
- 200 mm - Ø4
- 250 mm - Ø5
- 300 mm - Ø5
- 400 mm - Ø5

# WIRE HOOKS



**WIRE HOOK MG**

- (d x Ø)**  
150 mm - Ø5  
200 mm - Ø5  
250 mm - Ø6  
300 mm - Ø6  
400 mm - Ø8



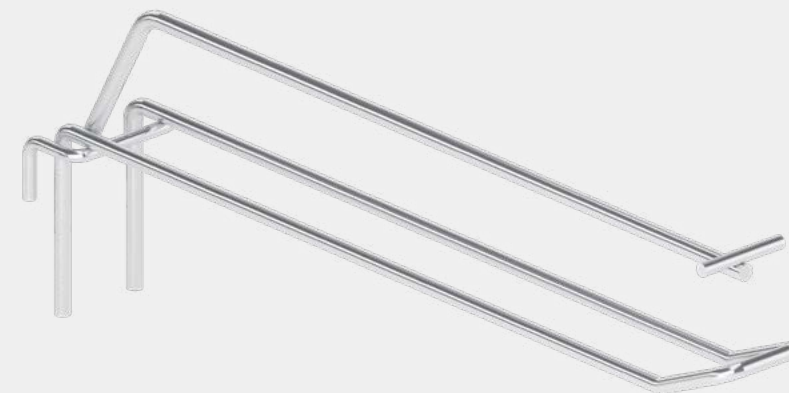
**WIRE HOOK MG DOUBLE**

- (d x Ø)**  
150 mm - Ø4  
200 mm - Ø4  
250 mm - Ø5  
300 mm - Ø5  
400 mm - Ø5



**WIRE HOOK MG WITH LABEL**

- (d x Ø)**  
150 mm - Ø5  
200 mm - Ø5  
250 mm - Ø6  
300 mm - Ø6  
400 mm - Ø8



**WIRE HOOK MG DOUBLE WITH LABEL**

- (d x Ø)**  
150 mm - Ø4  
200 mm - Ø4  
250 mm - Ø5  
300 mm - Ø5  
400 mm - Ø5



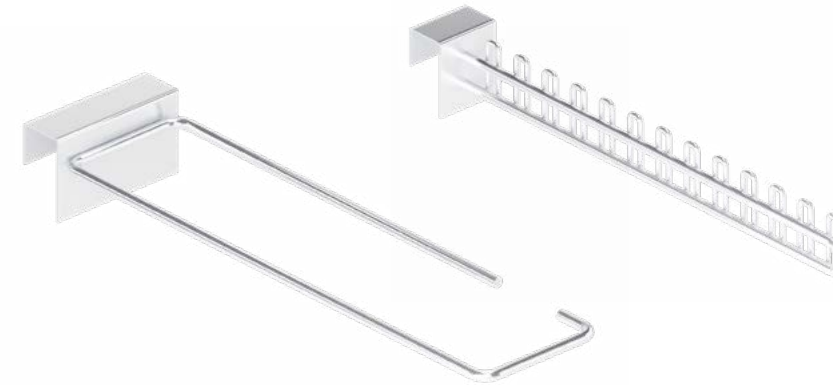
## DIY ACCESSORIES



GRINDING HOLDER WIRE HOOK DSG

(hxd)  
85 x 200 mm

## DIY ACCESSORIES



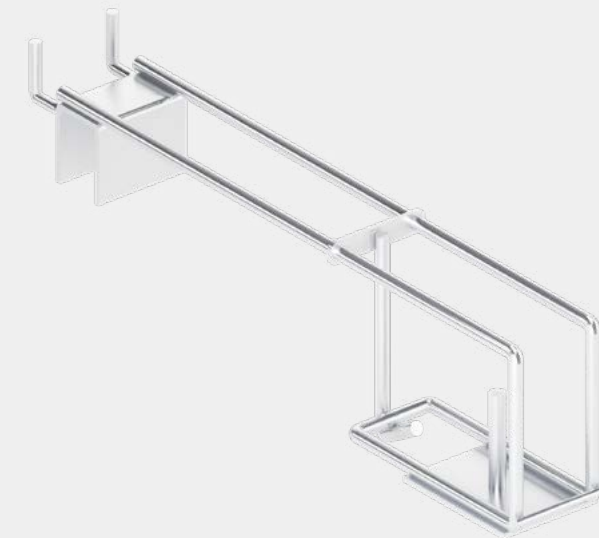
SHOVEL HOLDER SET ATG

(d)  
535 mm - Ø10



GRINDING HOLDER WIRE HOOK MG

(hxd)  
85 x 200 mm



SLEDGE HOLDER ATG & DSG

(hxdxl)  
70 x 240 x 38 mm



HIGH LABEL WIRE HOOK ATG

(hxd)  
60 x 100 mm - Ø5  
60 x 150 mm - Ø5

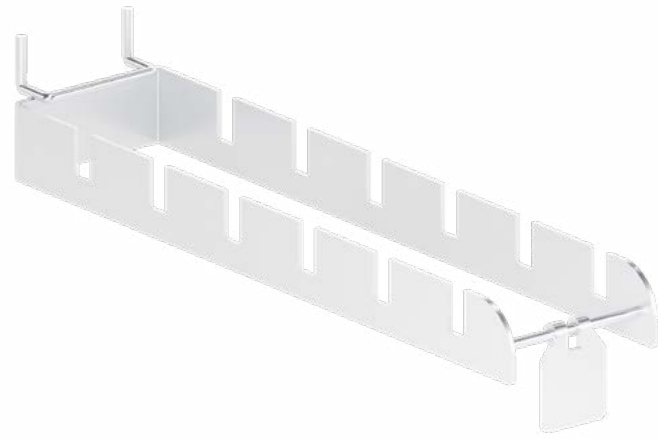


HAMMER HOLDER ATG & DSG

(hxdxl)  
50 x 310 x 30 mm



## DIY ACCESSORIES



TROWEL HOLDER DSG

(dxl)

300 x 70 mm



## DIY ACCESSORIES

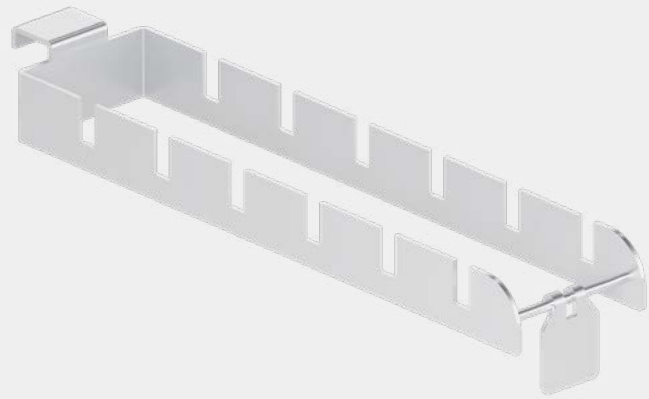


DUVET HOLDER ATG

(dxçap)

350 mm - Ø10

550 mm - Ø10



TROWEL HOLDER ATG

(dxl)

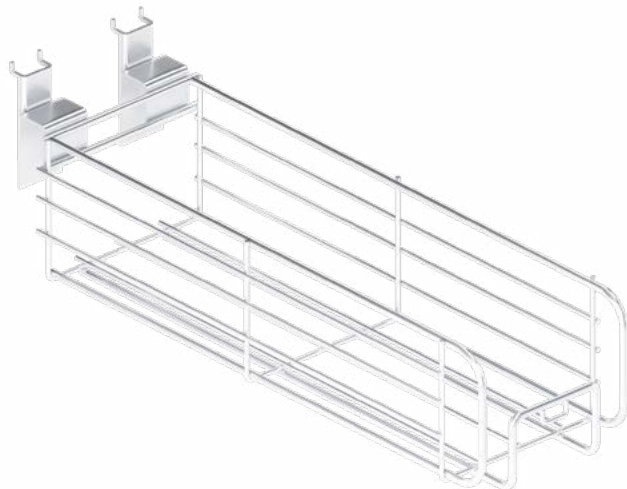
300 x 70 mm



QUILT HOLDER ATG

(dxçap)

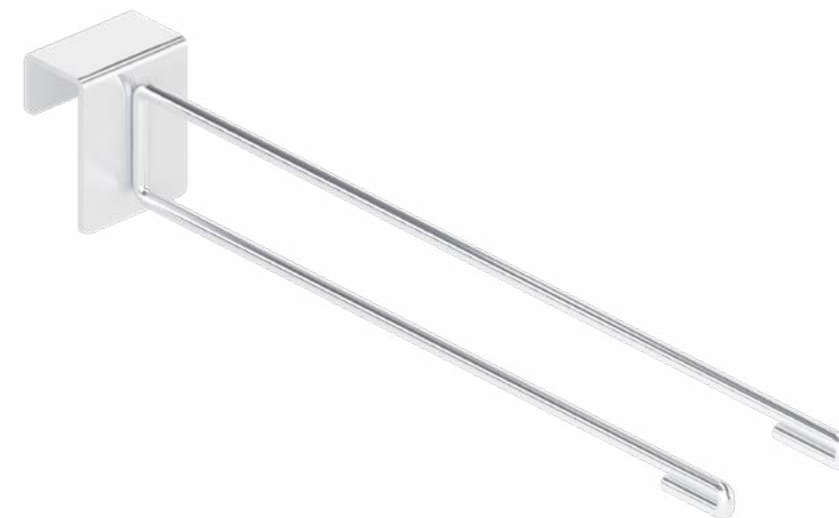
550 mm - Ø10



ROLL HOLDER DSG-P & ATG

(hxdxl)

105 x 357 x 124 mm



LAMPSHADE HOLDER ATG

(hxd)

40 x 300 mm - Ø10





## DIY ACCESSORIES



**POT HOLDER ATG**

(dx1)

330 x 200 mm



## DIY ACCESSORIES



**MIRROR HOLDER KPG**

(dx1)

15 x 50 mm



\*Double used.



**POT HOLDER KPG**

(dx1)

300 x 180 mm



**AIR CONDITIONER HOLDER ATG**

(dx1)

12 x 18 mm



\*Double used.



**PRODUCT PRESENTER KPG**

(dx1)

50 x 40 mm

\*Double used.



**HEATING BOILER HOLDER ATG**

(dx1)

50 x 18 mm



\*Double used.

## DIY ACCESSORIES



### PRODUCT SEPARATOR ATG

(h x d)

( 500 / 1000 ) x 400 mm  
 ( 500 / 1000 ) x 500 mm  
 ( 500 / 1000 ) x 600 mm

Ø10 wire  
 The product requires x2 accessory bars.

## DIY ACCESSORIES

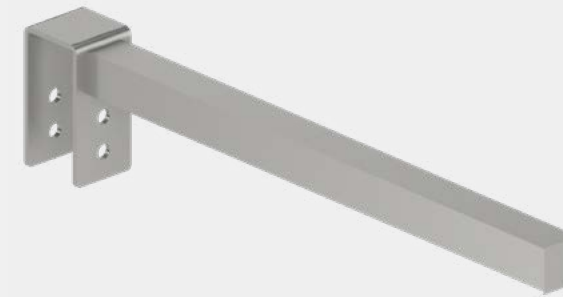


### PRODUCT SEPARATOR PROFILE ATG

(d)

400 mm  
 500 mm  
 600 mm

25x25 profile



### PRODUCT SEPARATOR PROFILE TRV

(d)

400 mm  
 500 mm  
 600 mm  
 700 mm

25x25 profile  
 For 40 mm beam.



### PRODUCT SEPARATOR KPG

(h x d)

100 x 400 mm

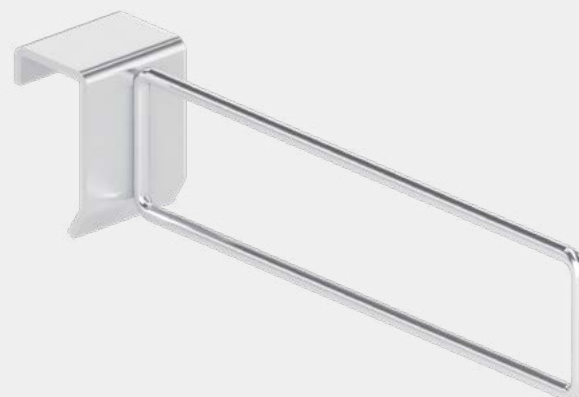


### PRODUCT SEPARATOR TUBE ATG

(d)

400 mm  
 500 mm  
 600 mm

Ø21 profile



### PRODUCT SEPARATOR ATG

(h x d)

100 x 400 mm



### PRODUCT SEPARATOR TUBE TRV

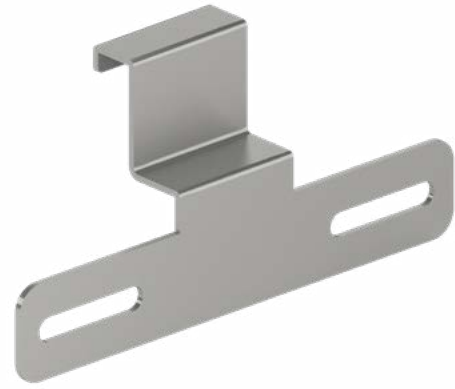
(d)

400 mm  
 500 mm  
 600 mm  
 700 mm

Ø21 profile  
 For 40 mm beam.



## DIY ACCESSORIES



TOILET SEAT COVER  
HOLDER ATG

( h x d x l )

85 x 40 x 180 mm



## DIY ACCESSORIES



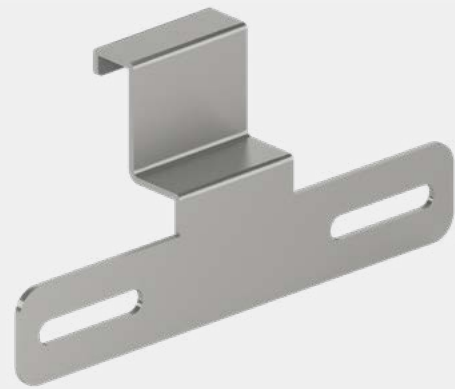
SINGLE VERTICAL BATTERY  
HOLDER ATG TYPE 1

( h x d x l )

78 x 103 x 142 mm



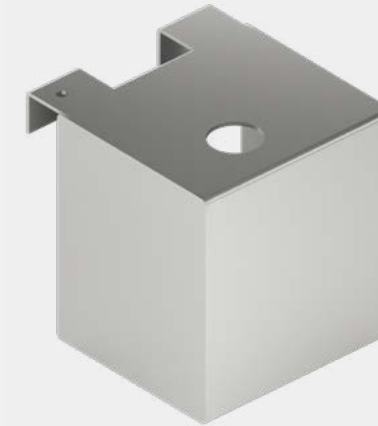
Slot Diameter  
Ø30 mm  
Ø40 mm



TOILET SEAT COVER  
HOLDER TRV

( h x d x l )

85 x 40 x 180 mm



SINGLE VERTICAL BATTERY  
HOLDER ATG TYPE 2

( h x d x l )

120 x 100 x 114 mm



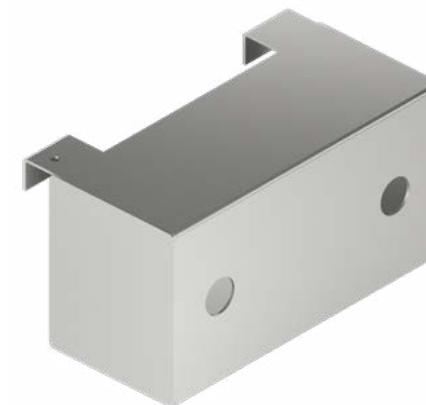
Slot Diameter  
Ø30 mm  
Ø40 mm



TOILET TANK KIT  
HOLDER ATG

( h x d x l )

305 x 122 x 250 mm



DOUBLE HORIZONTAL  
BATTERY HOLDER ATG TYPE 2

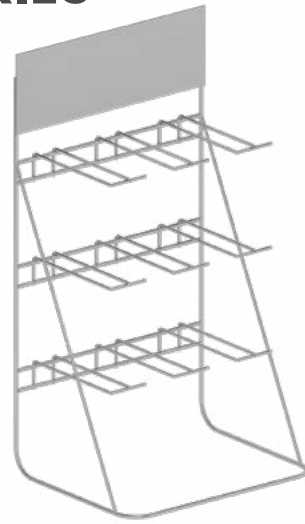
( h x d x l )

120 x 100 x 229 mm



Slot Diameter  
Ø30 mm  
Ø40 mm

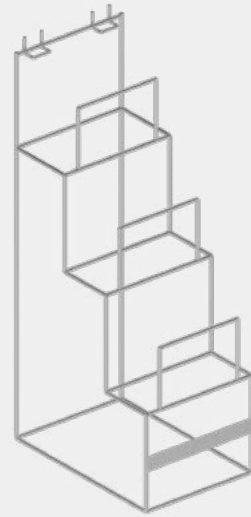
## DIY ACCESSORIES



COUNTER TOP BATTERY STAND

(h x d x l)

498 x 220 x 285 mm



GRINDING STAND

(h x d x l)

500 x 240 x 160 mm

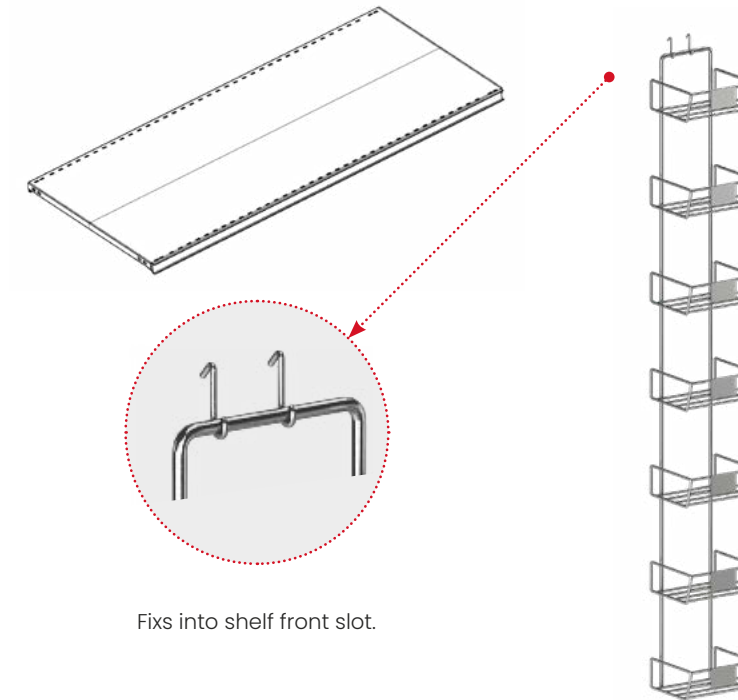


HANDLE HOLDER DSG

(h x d x l)

250 x 300 x 300 mm

## DIY ACCESSORIES



Fixs into shelf front slot.

SHELF FRONT DISPLAY STAND

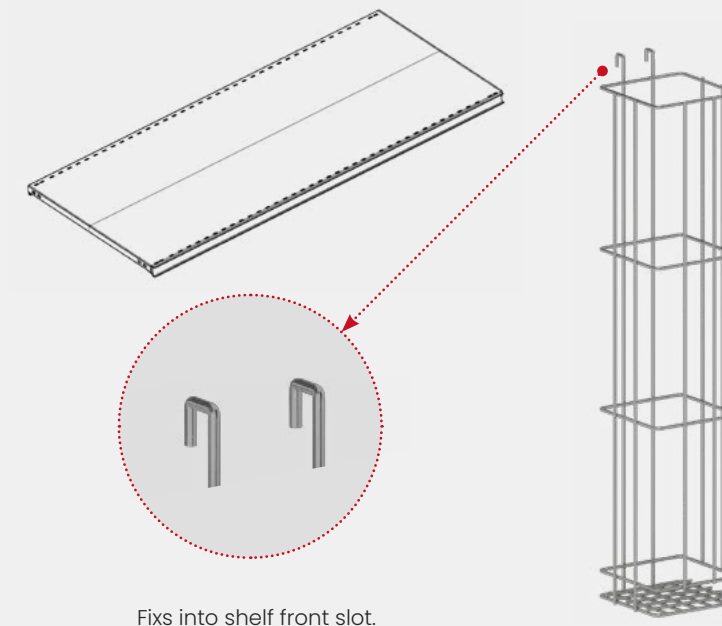
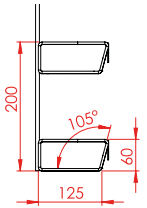
(h x d x l)

1310 x 140 x 150 mm

Basket Dimension

(h x d x l)

60 x 125 x 150 mm



Fixs into shelf front slot.

SHELF FRONT DISPLAY BASKET

(h x d x l)

1000 x 150 x 150 mm



## DIY ACCESSORIES



HAIR DRYER HOLDER ATG

(h x d x l)

255 x 230 x 105 mm



## DIY ACCESSORIES



CURLING IRON HOLDER KPG

(h x d x l)

230 x 330 x 60 mm



HAIR DRYER HOLDER KPG

(h x d x l)

255 x 230 x 105 mm



IRON HOLDER ATG

(h x d x l)

150 x 160 x 150 mm



IRON HOLDER KPG

(h x d x l)

150 x 160 x 150 mm



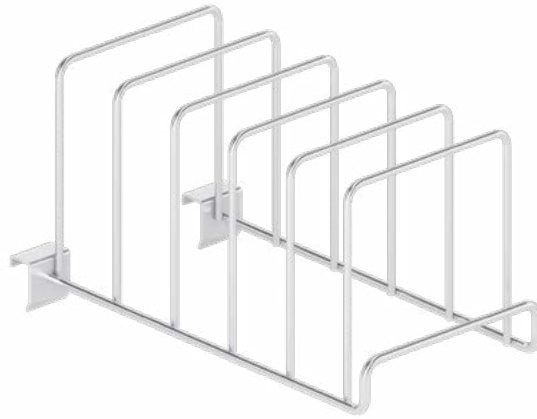
CURLING IRON HOLDER ATG

(h x d x l)

230 x 330 x 60 mm



## DIY ACCESSORIES



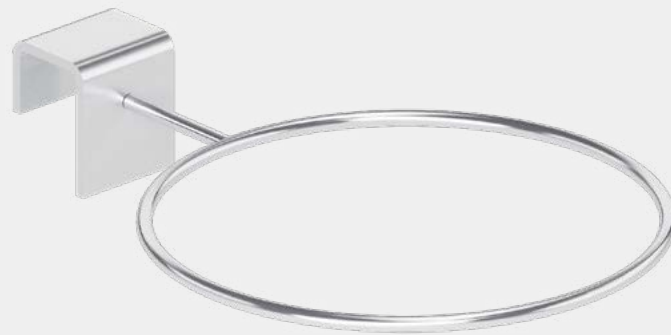
**PLATE HOLDER ATG**  
(h x d x l)  
200 x 400 x 300 mm



## DIY ACCESSORIES



**BALL HOLDER ATG**  
(h x d x l)  
500 x 525 x 150 mm



**BALL HOLDER ATG**  
(d x l)  
270 x 200 mm Hoop Diameter  
200 mm



**BALL HOLDER OTG**  
(h x d x l)  
500 x 525 x 150 mm



**BALL HOLDER KPG**  
(d x l)  
270 x 200 mm Hoop Diameter  
200 mm

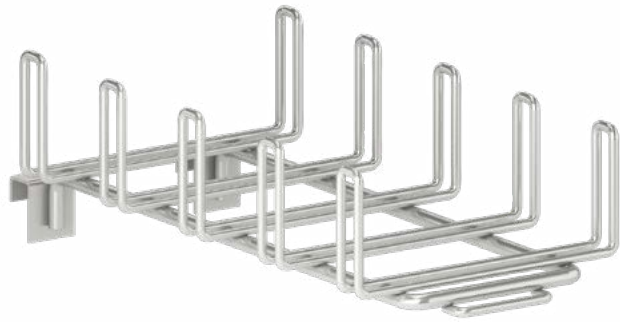


**REINFORCED BALL HOLDER OTG**  
(h x d x l)  
25 x 250 x 150 mm Hoop Diameter  
150 mm





## DIY ACCESSORIES



**SKATE HOLDER ATG**  
(h x d x l)  
85 x 440 x 205 mm



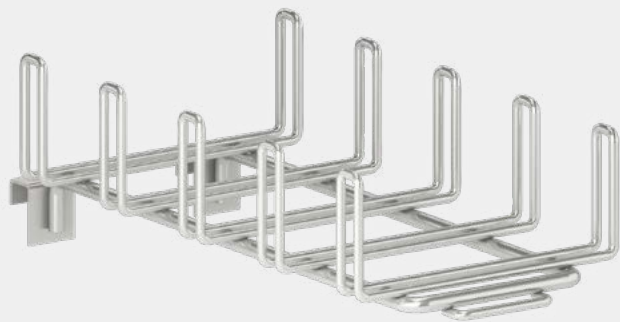
## DIY ACCESSORIES



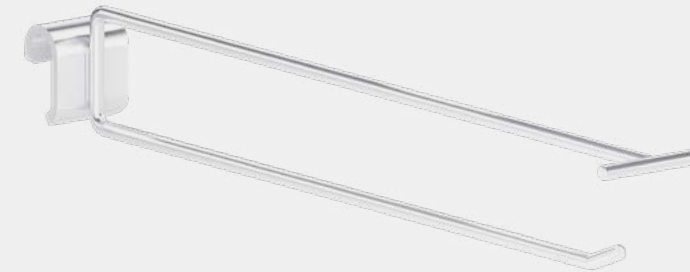
**SKATEBOARD HOLDER OTG**  
(h x d x l)  
330 x 400 x 120 mm



\*Double used.



**SKATE HOLDER OTG**  
(h x d x l)  
85 x 440 x 205 mm



**PRODUCT HOLDER WIRE HOOK OTG**  
(d)  
250 mm – Ø6  
300 mm – Ø6  
400 mm – Ø6



**SKATEBOARD HOLDER ATG**  
(h x d x l)  
330 x 400 x 120 mm



\*Double used.



**SLEEPING BAG HOLDER TYPE 2**  
(h x l)  
457 x 557 mm



# HANGERS



**STRAIGHT HANGER OVAL ATG**

**(d)**

300 mm – Single pin  
400 mm – Single pin

15x30 oval profile.

# HANGERS



**STRAIGHT HANGER TUBE KPG**

**(d)**

300 mm – Single pin  
400 mm – Single pin

Ø25 tube.

DISPLAY ACCESSORIES



**STRAIGHT HANGER OVAL KPG**

**(d)**

300 mm – Single pin  
400 mm – Single pin

15x30 oval profile.



**OVAL STRAIGHT HANGER  
STAINLESS WIRE ATG**

**(d)**

300 mm – Single pin  
400 mm – Single pin

A wire support is used to protect the coating from hanging traces.

15x30 oval profile.



**STRAIGHT HANGER TUBE ATG**

**(d)**

300 mm – Single pin  
400 mm – Single pin

Ø25 tube.



**TUBE STRAIGHT HANGER  
STAINLESS WIRE ATG**

**(d)**

300 mm – Single pin  
400 mm – Single pin

A wire support is used to protect the coating from hanging traces.

Ø25 tube.



# HANGERS



**SLOPING HANGER OVAL ATG**

**(d)**

300 mm – 6 pins  
400 mm – 8 pins

15x30 oval profile.

# HANGERS



**SLOPING HANGER TUBE KPG**

**(d)**

300 mm – 6 pins  
400 mm – 8 pins

Ø25 tube.



**SLOPING HANGER OVAL KPG**

**(d)**

300 mm – 6 pins  
400 mm – 8 pins

15x30 oval profile.



**OVAL STEPPED HANGER ATG**

**(d)**

300 mm – 150 + 150  
400 mm – 200 + 200

15x30 oval profile.



**SLOPING HANGER TUBE ATG**

**(d)**

300 mm – 6 pins  
400 mm – 8 pins

Ø25 tube.



**OVAL STEPPED HANGER KPG**

**(d)**

300 mm – 150 + 150  
400 mm – 200 + 200

15x30 oval profile.

# HANGERS



**TUBE STEPPED HANGER ATG**

**(d)**  
300 mm – 150+150  
400 mm – 200+200  
  
Ø25 tube.

# HANGERS



**OVAL STEPPED HANGER  
STAINLESS WIRE OTG**

**(d)**  
300 mm – 150+150  
400 mm – 200+200

A wire support is used to protect the coating from hanging traces.

15x30 oval profile.

DISPLAY ACCESSORIES



**TUBE STEPPED HANGER KPG**

**(d)**  
300 mm – 150+150  
400 mm – 200+200  
  
Ø25 tube.



**OVAL U HANGER BAR DG**

**(d x l)**  
( 300 / 400 ) x 600 mm  
( 300 / 400 ) x 700 mm  
( 300 / 400 ) x 900 mm  
( 300 / 400 ) x 1000 mm  
( 300 / 400 ) x 1250 mm

15x30 oval profile.



**OVAL STRAIGHT HANGER  
STAINLESS WIRE OTG**

**(d)**  
300 mm  
400 mm

A wire support is used to protect the coating from hanging traces.

15x30 oval profile.



**OVAL U HANGER BAR KPG**

**(d x l)**  
( 300 / 400 ) x 600 mm  
( 300 / 400 ) x 700 mm  
( 300 / 400 ) x 900 mm  
( 300 / 400 ) x 1000 mm

15x30 oval profile.



## BARS



**ACCESSORY HOLDER BAR  
(20x30) SINGLE FIXING LEDGE**

**(hxdx1)**

20 x 30 x 700 mm  
20 x 30 x 900 mm  
20 x 30 x 1000 mm  
20 x 30 x 1250 mm  
20 x 30 x 1330 mm



**ACCESSORY HOLDER BAR  
(20x40) SINGLE FIXING LEDGE**

**(hxdx1)**

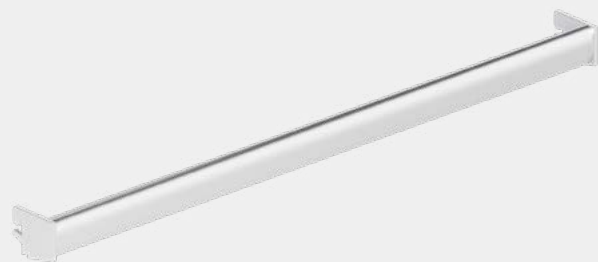
20 x 40 x 700 mm  
20 x 40 x 900 mm  
20 x 40 x 1000 mm  
20 x 40 x 1250 mm  
20 x 40 x 1330 mm



**ACCESSORY HOLDER BAR (15x30)  
SINGLE FIXING LEDGE**

**(hxdx1)**

15 x 30 x 700 mm  
15 x 30 x 900 mm  
15 x 30 x 1000 mm  
15 x 30 x 1250 mm  
15 x 30 x 1330 mm

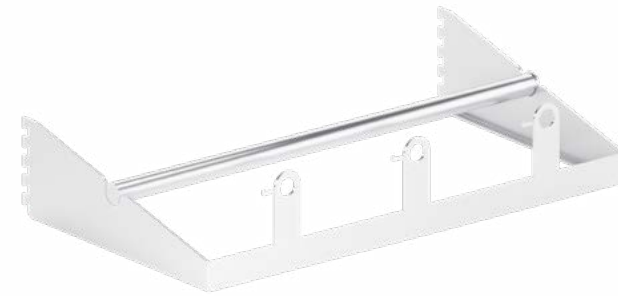


**OVAL ACCESSORY HOLDER BAR (15x30)  
SINGLE FIXING LEDGE**

**(hxdx1)**

15 x 30 x 700 mm  
15 x 30 x 900 mm  
15 x 30 x 1000 mm  
15 x 30 x 1250 mm  
15 x 30 x 1330 mm

## BASKETS



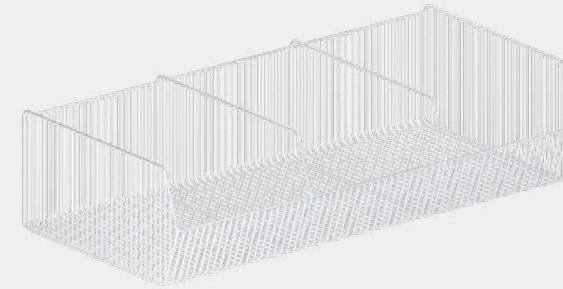
**REEL ROLL HOLDER RACK DG**

**(dx1)**

370 x 700 mm ( 3 Gözlü )  
370 x 1000 mm ( 4 Gözlü )  
370 x 1250 mm ( 5 Gözlü )



\*Specially designed for 25 pitches and 35 pitches.



**SHELF TOP BASKET RACK**

**(hxdx1)**

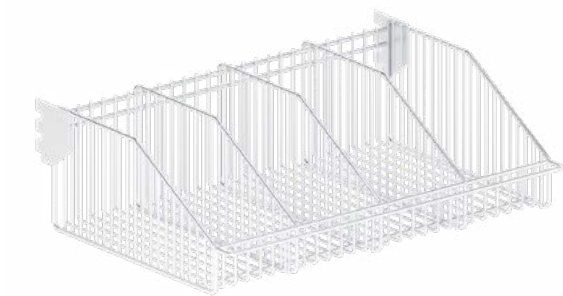
300 x ( 300 / 400 / 500 / 600 ) x 700 mm  
300 x ( 300 / 400 / 500 / 600 ) x 900 mm  
300 x ( 300 / 400 / 500 / 600 ) x 1250 mm  
300 x ( 300 / 400 / 500 / 600 ) x 1000 mm

**SHELF TOP BASKET SEPARATOR**

**(hxd)**

300 x ( 300 / 400 / 500 / 600 ) mm

\*Seperator is not included.



**BASKET RACK DG**

**(hxdx1)**

300 x ( 300 / 400 / 500 / 600 ) x 700 mm  
300 x ( 300 / 400 / 500 / 600 ) x 900 mm  
300 x ( 300 / 400 / 500 / 600 ) x 1250 mm  
300 x ( 300 / 400 / 500 / 600 ) x 1000 mm

**BASKET RACK DG SEPARATOR**

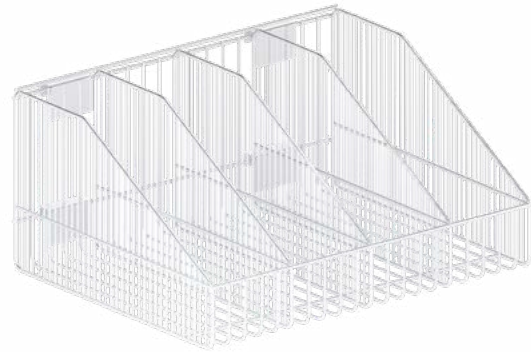
**(hxd)**

300 x ( 300 / 400 / 500 / 600 ) mm

\*Seperator is not included.

\*Specially designed for 25 pitches and 35 pitches.

# BASKETS



**BASKET RACK FIX ATG TYPE 1**

**(hxdxl)**

300 x ( 300 / 400 / 500 ) x 640 mm  
300 x ( 300 / 400 / 500 ) x 880 mm

**BASKET RACK FIX SEPARATOR**

**(hxd)**

300 x ( 300 / 400 / 500 ) mm

\*Seperator is not included.

# PRICE TAGS



**PLASTIC WIRE  
HOOK LABEL  
(hxl)**

39 x 45 mm  
39 x 60 mm  
39 x 90 mm



**BASKET RACK MINI ATG**

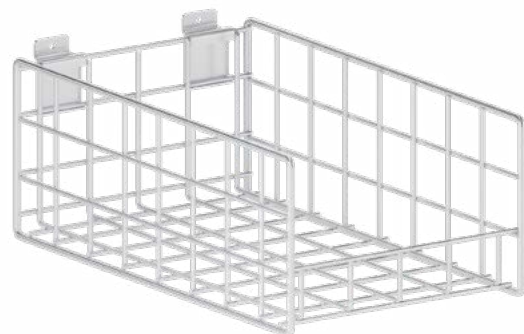
**(hxdxl)**

150 x 400 x 200 mm



**PLASTIC DOUBLE WIRE  
HOOK LABEL  
(hxl)**

36 x 20 mm



**BASKET RACK MINI KPG**

**(hxdxl)**

150 x 400 x 200 mm



**PLASTIC DOUBLE WIRE  
HOOK LABEL  
(hxl)**

36 x 20 mm